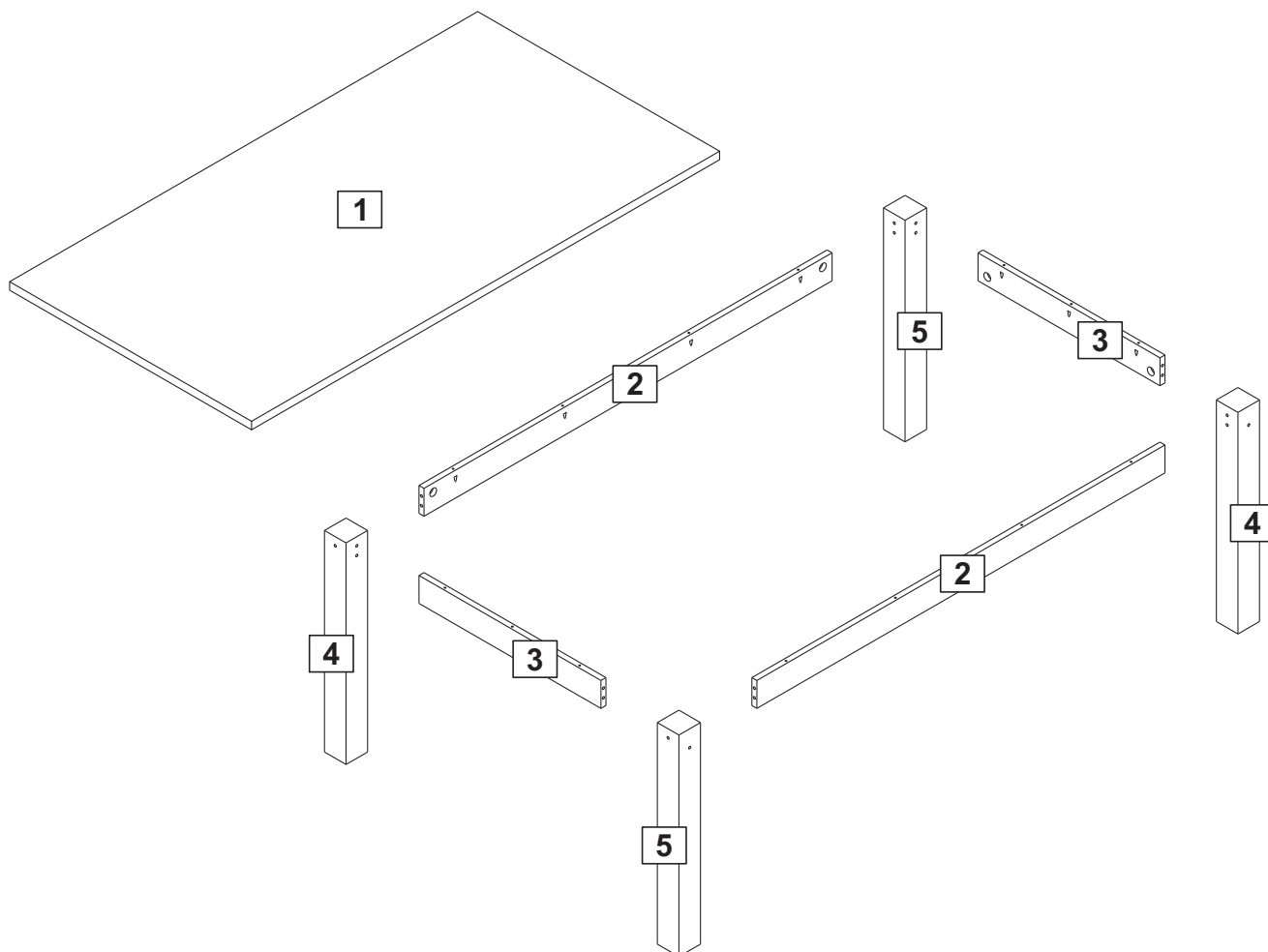


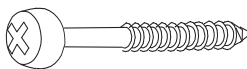


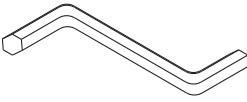
Ref.: 1587

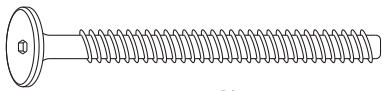


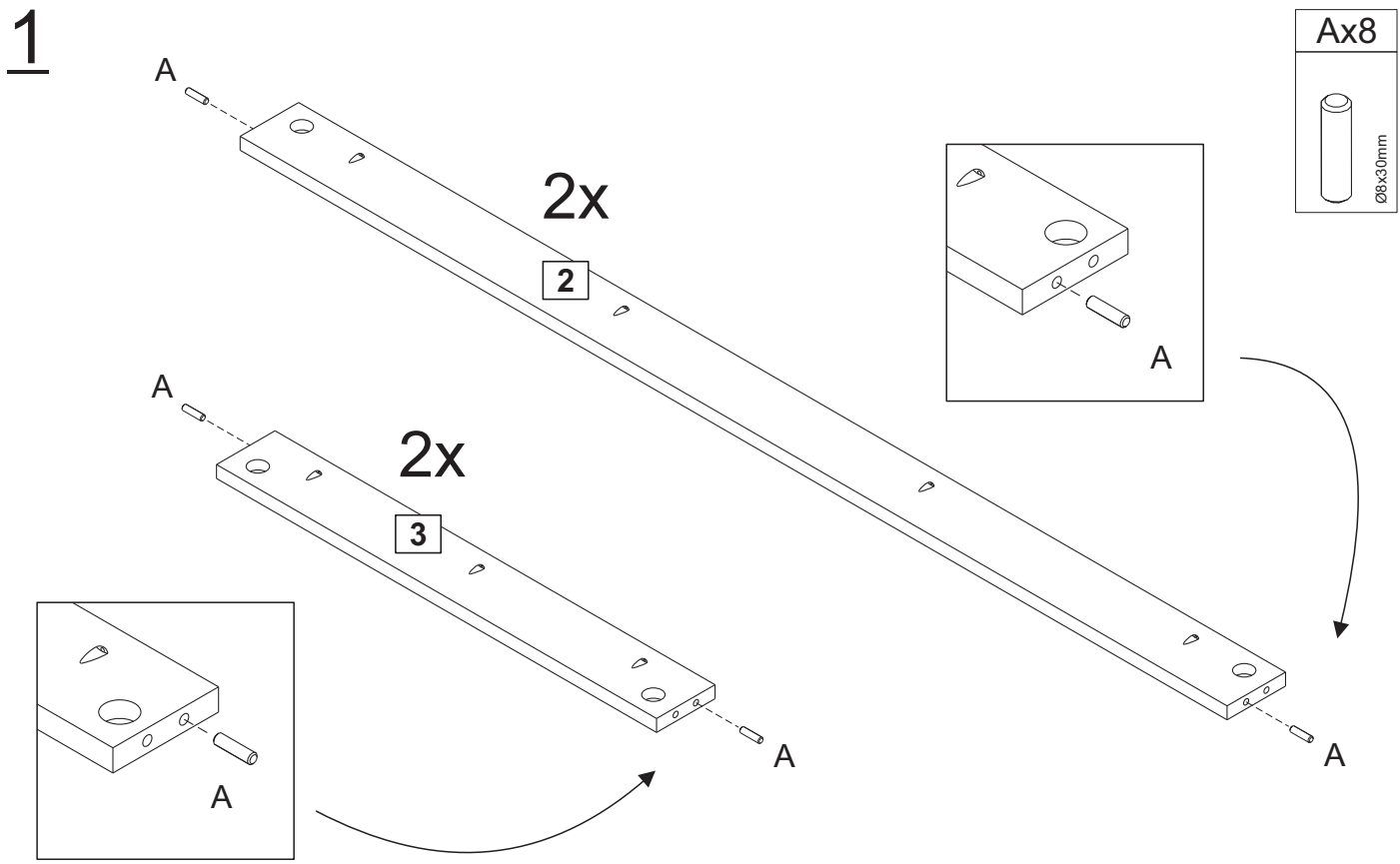
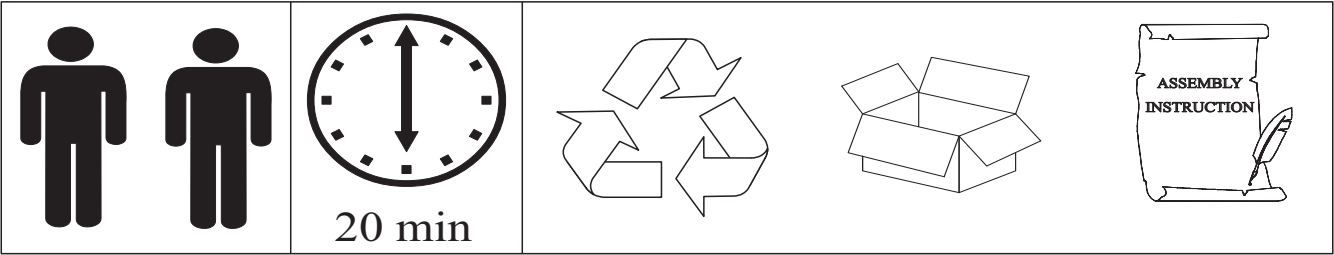
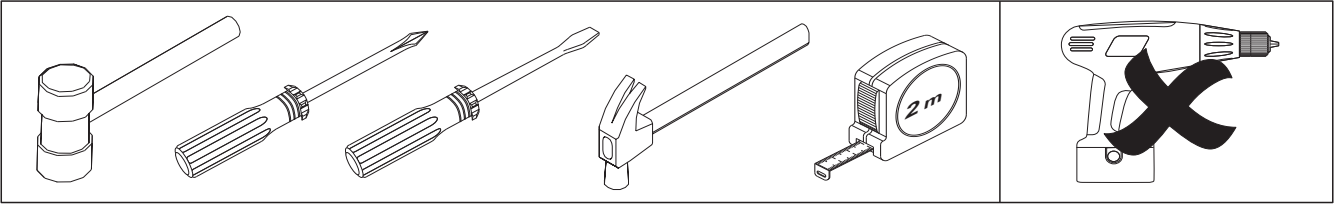
A x 8  Ø8x30mm

D x 8 

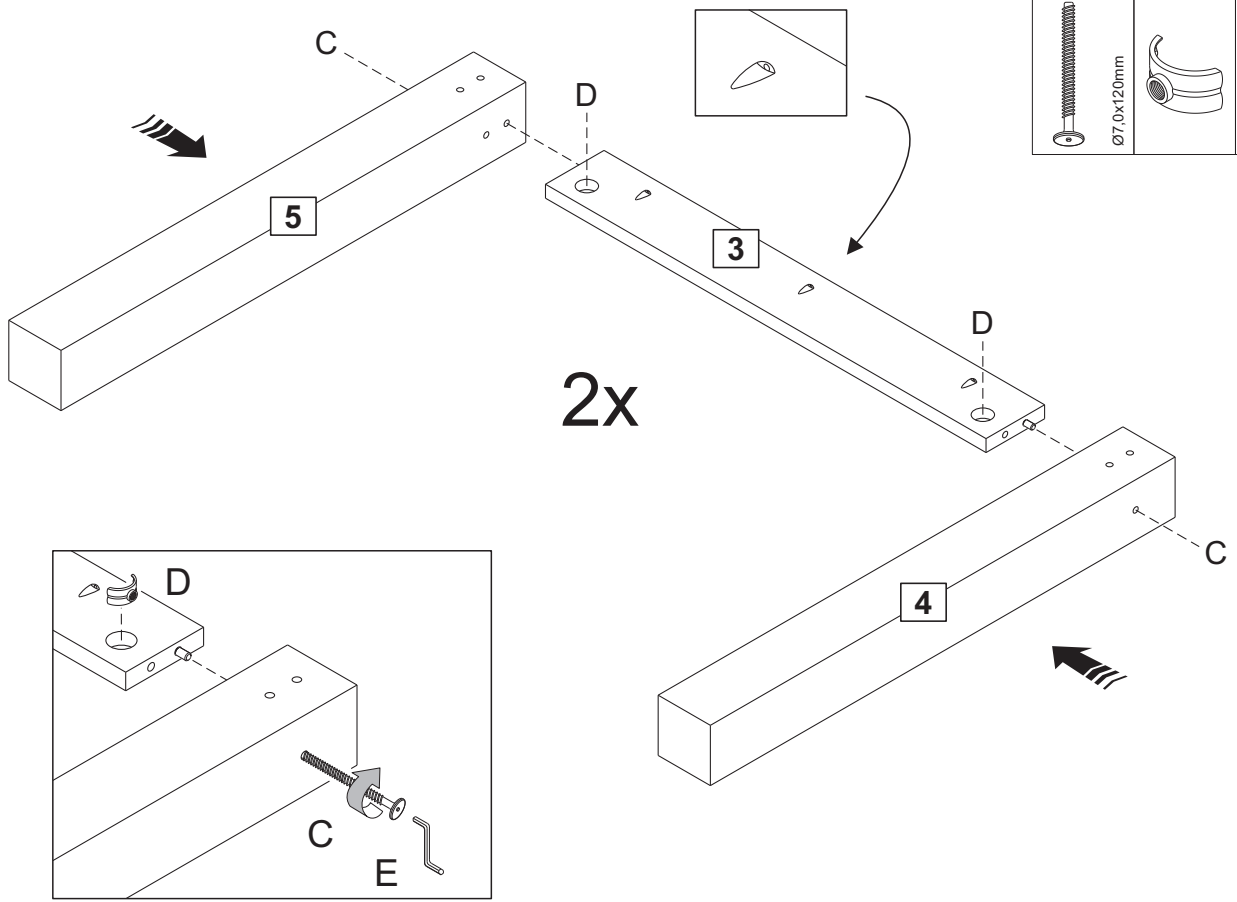
B x 14  Ø4,0x35mm

E x 1 

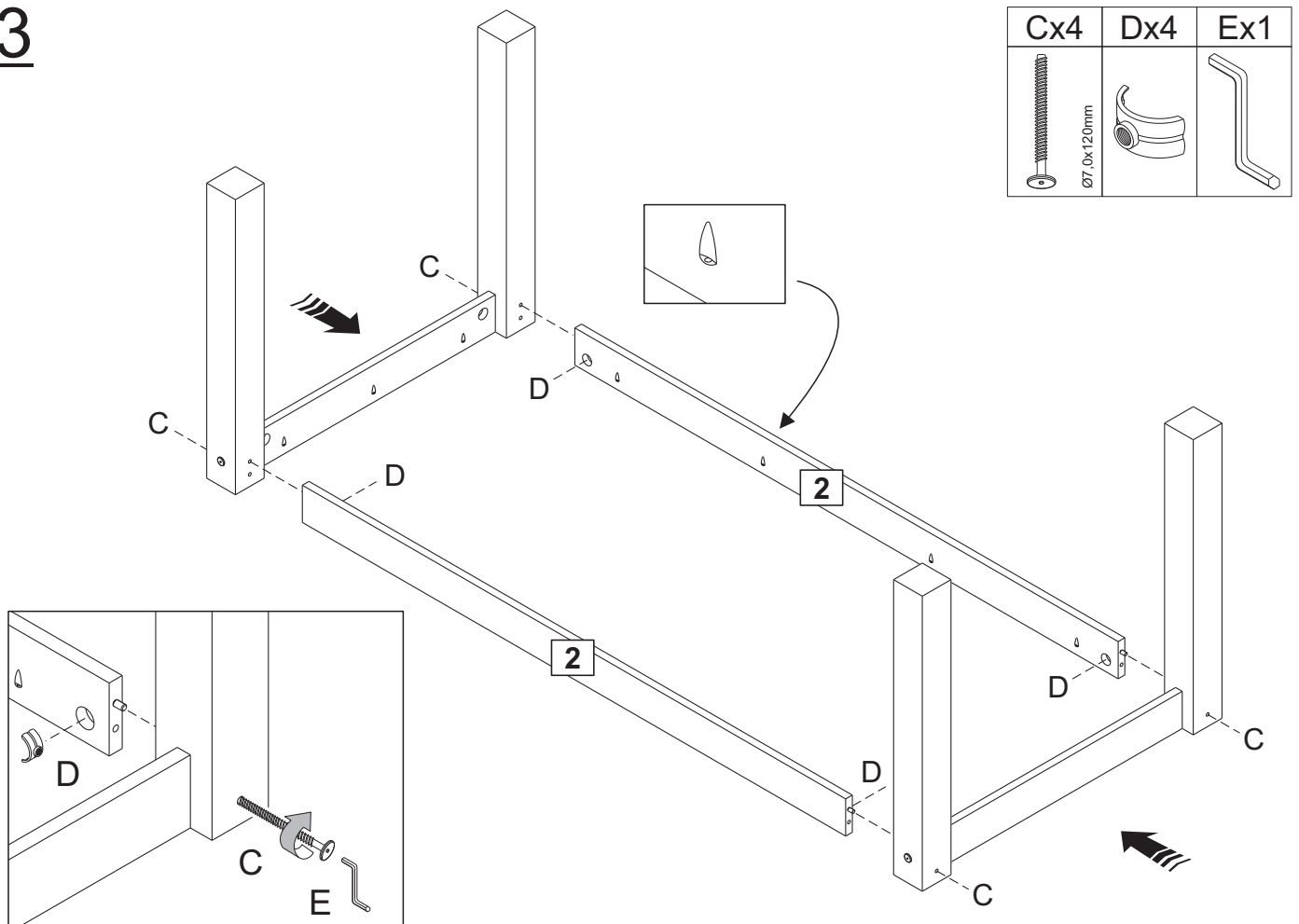
C x 8  Ø7,0x120mm



2



3



4

