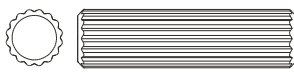
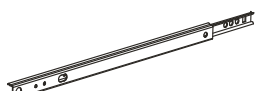

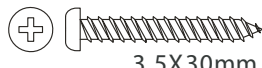




A		42
	8,0X30mm	

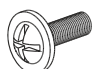
B		12
---	---	----

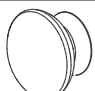
C		06
	4,0X40mm	

D		58
	3,5X30mm	

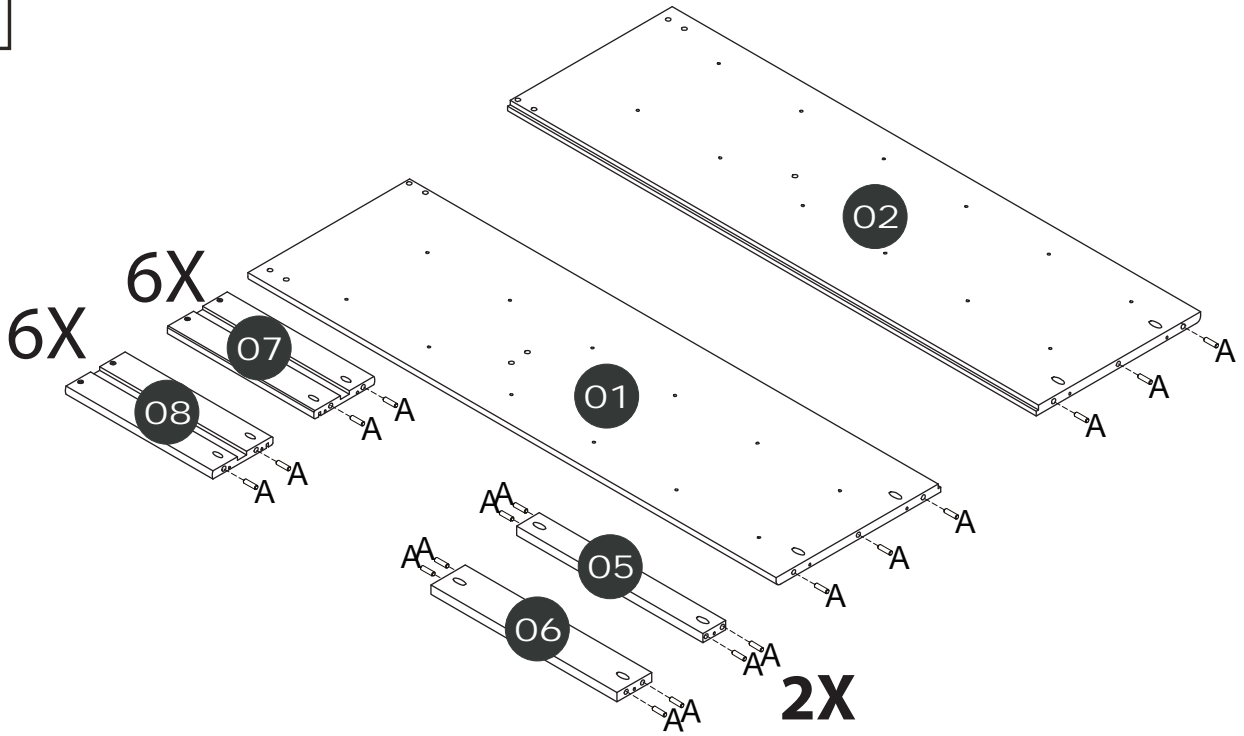
E		24
	6,0 x10mm	


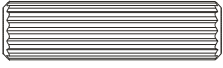
F		20
---	---	----

G		12
	M4x10	

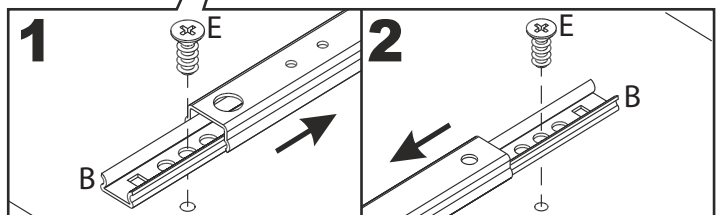
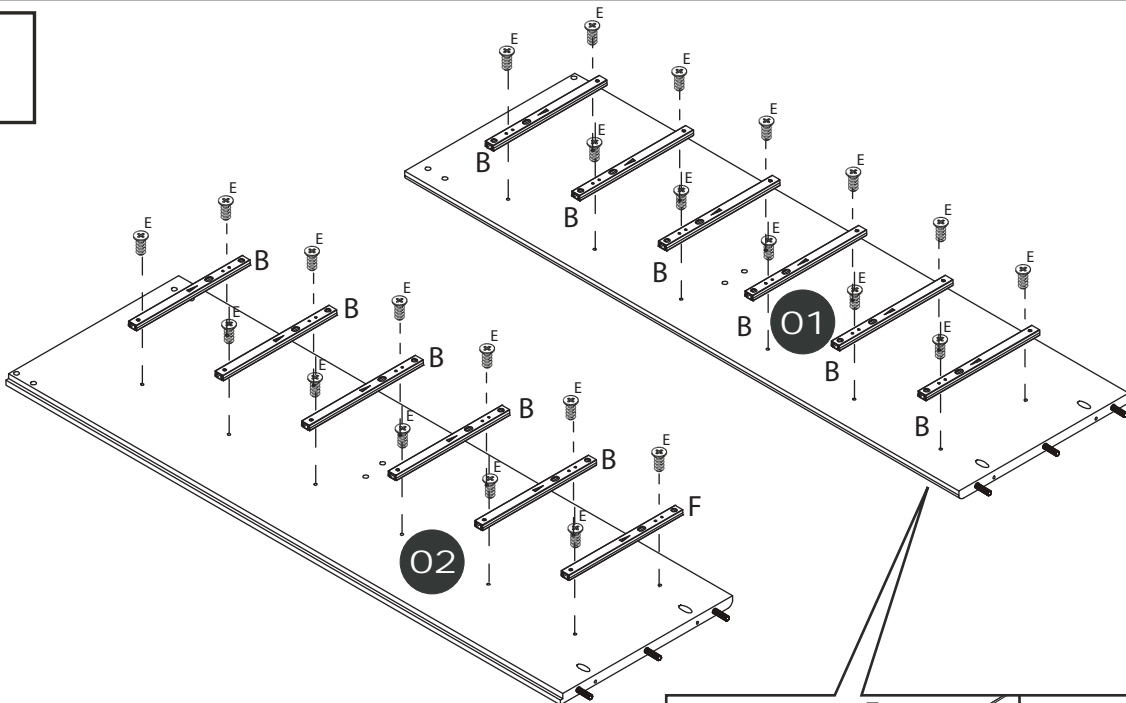
H		06
---	---	----

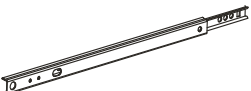
1




A	 	42
8,0X30mm		

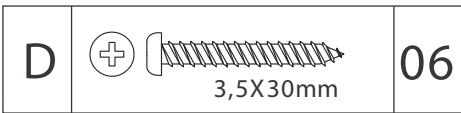
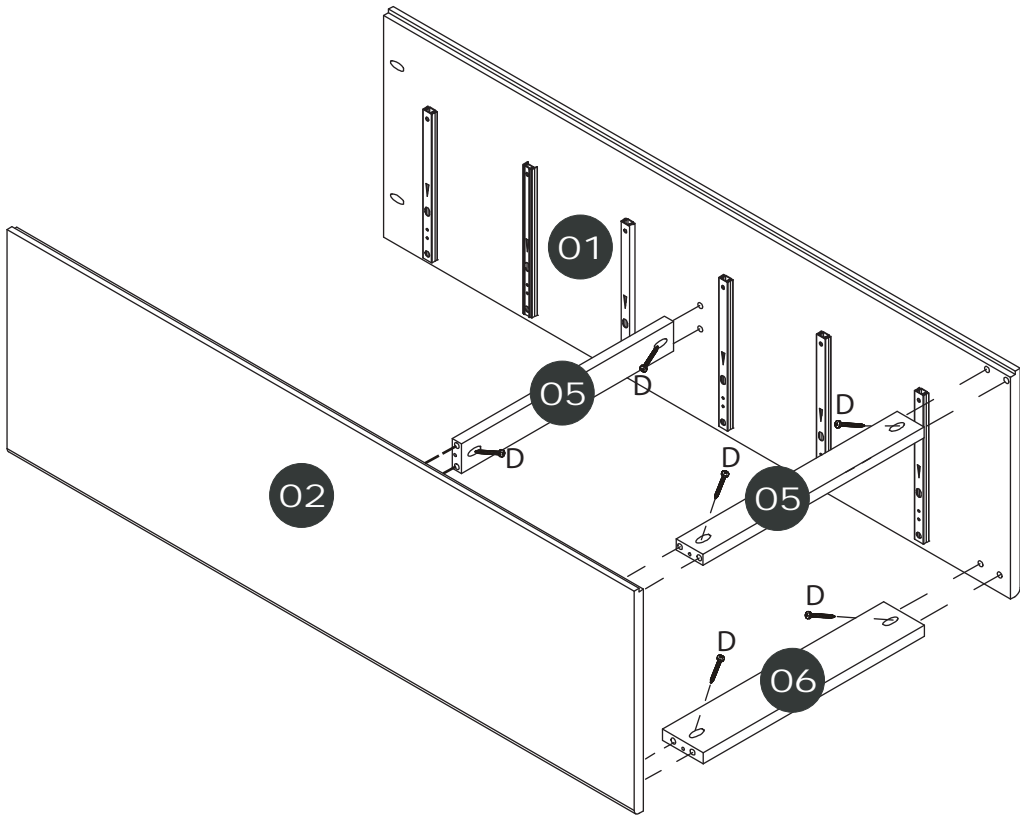
2



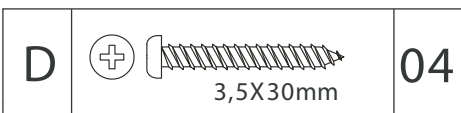
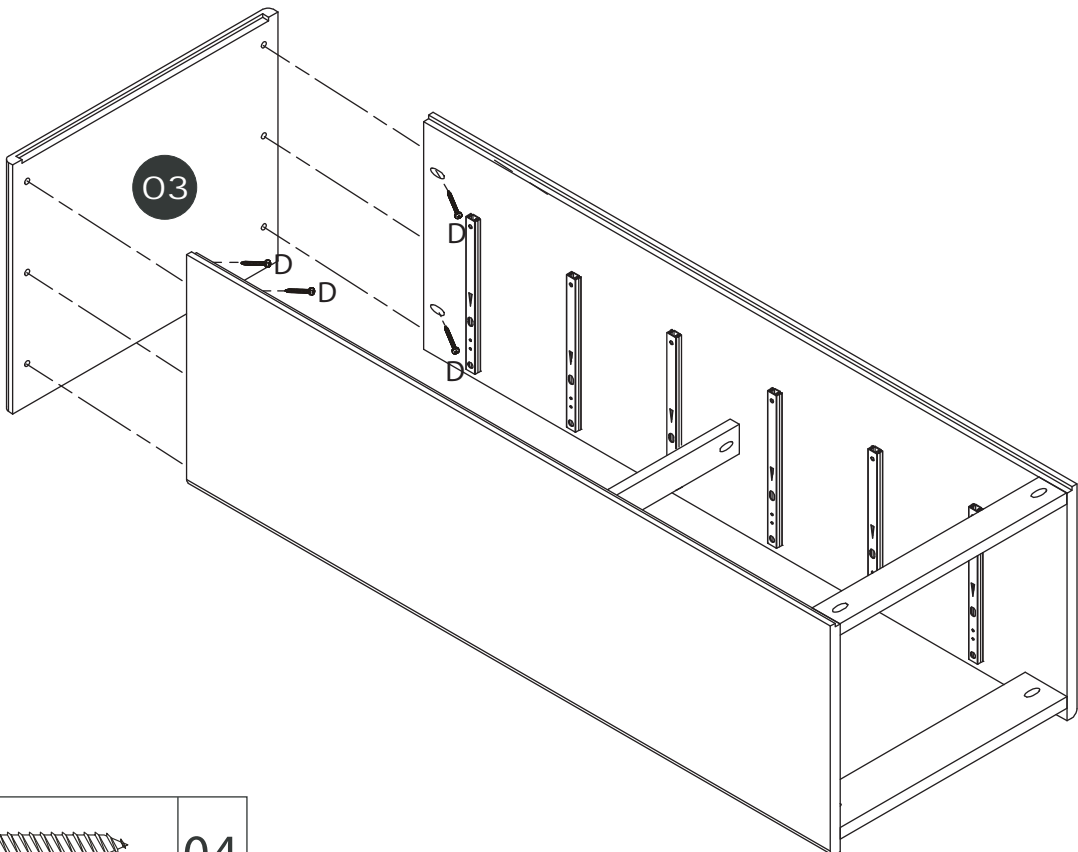
B		12
---	---	----

E		24
6,0 x 10mm		

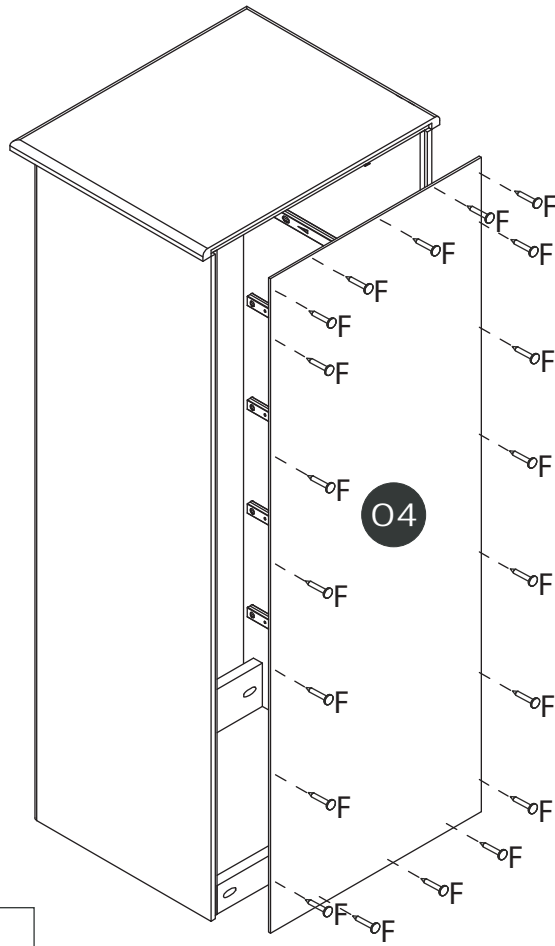
3

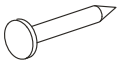


4



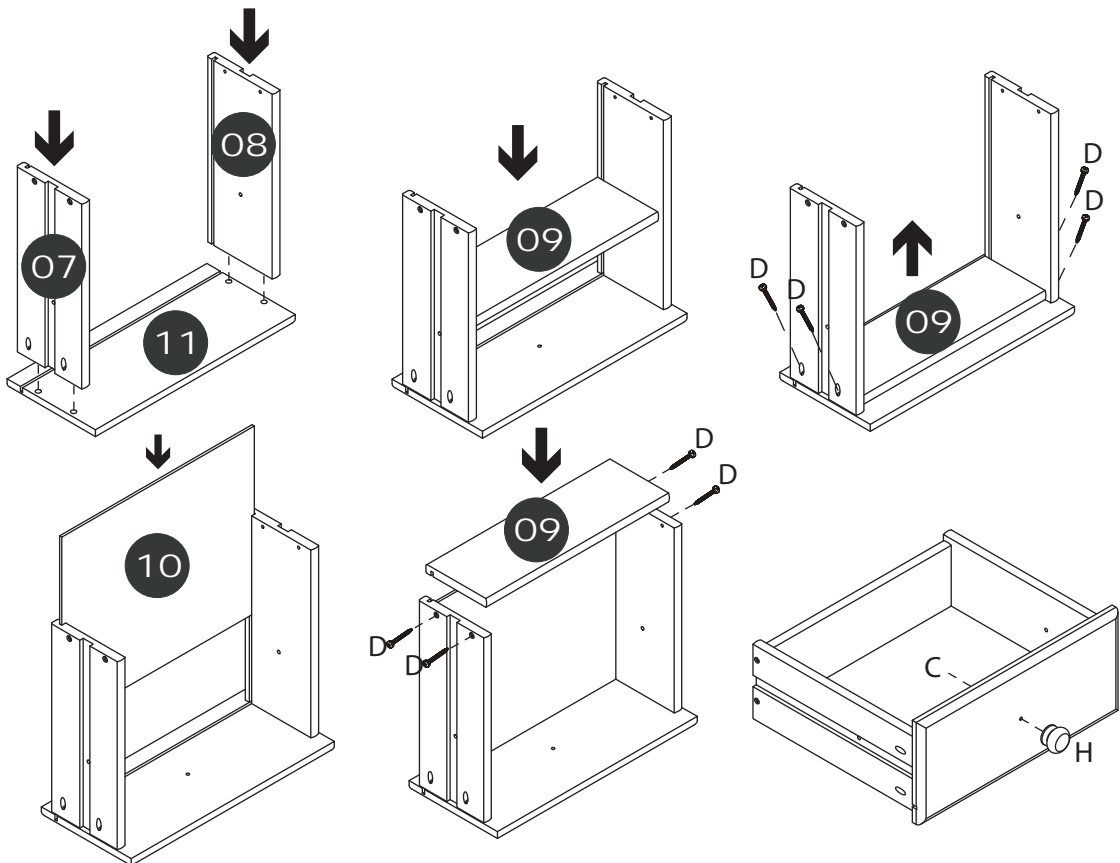
5





F		20
---	---	----


6

6X

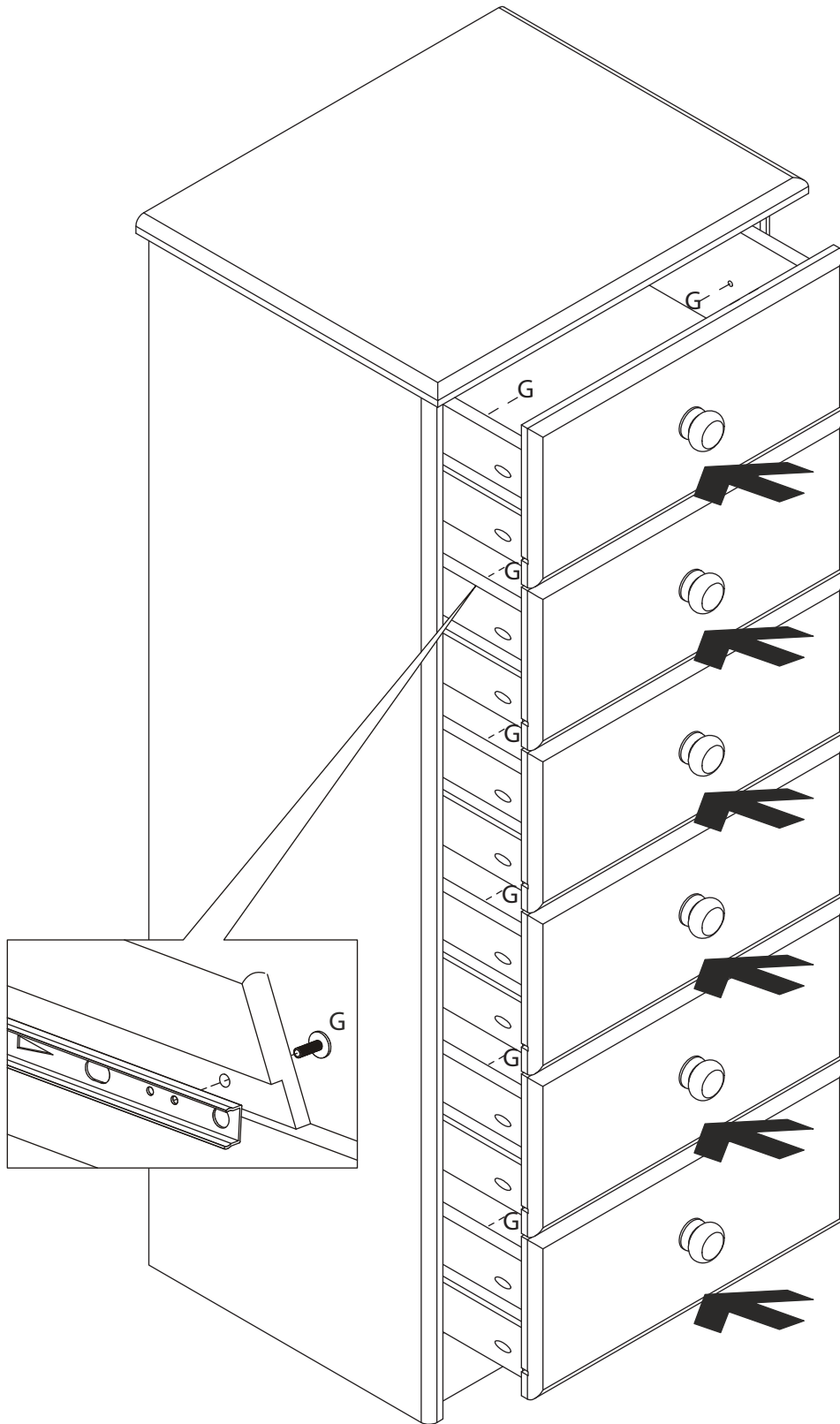


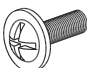
D	 3,5X30mm	48
---	--	----

H		06
---	---	----

C	 4,0X40mm	06
---	--	----

7



G	 M4x10	12
---	--	----