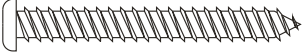
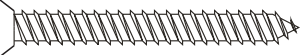
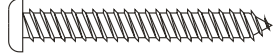



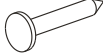
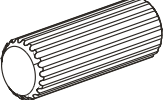

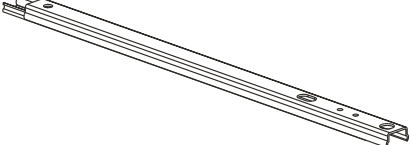
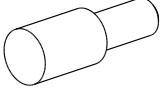

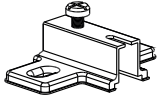
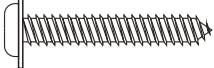
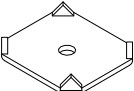
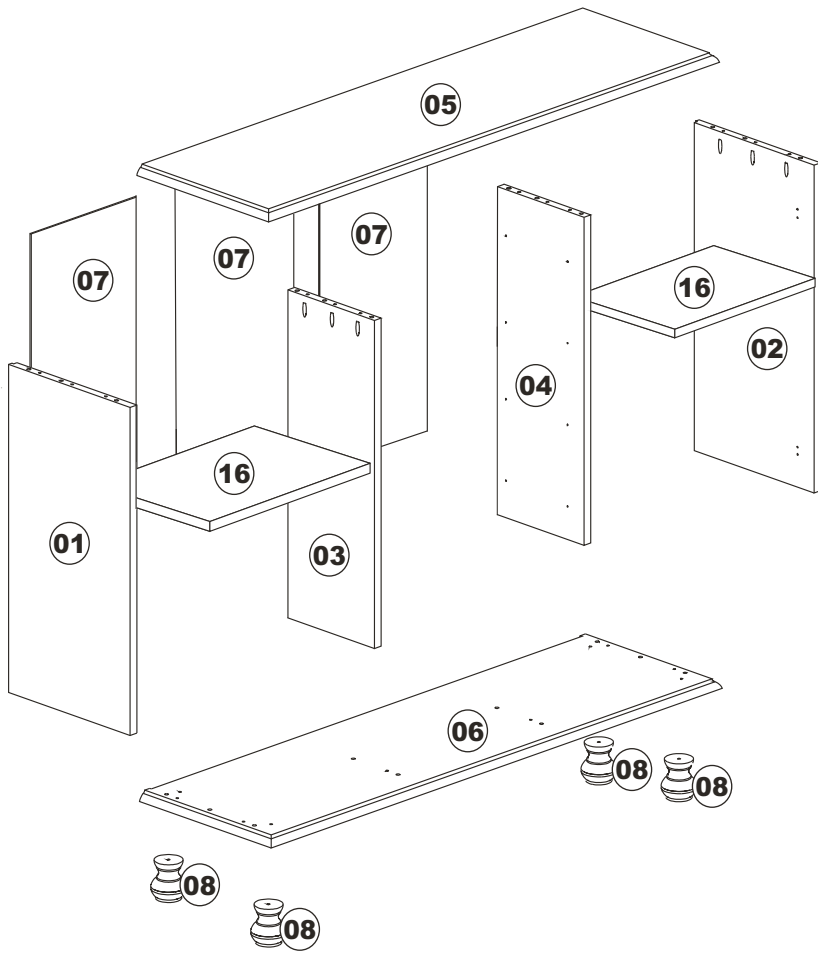
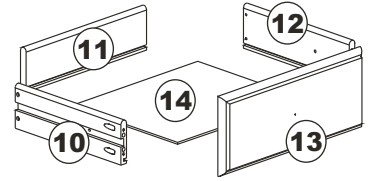


A	 4,0x50	04
B	 4,0x40	18
C	 4,0x30	44
D	 3,5x14	16
E	 M4x10	08
F	 6,0x10	16
G		38
H	 8,0x30	40

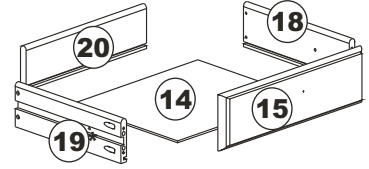
I		06
J		08
K		08
L		04
M		04
N	 4,0x25	08
O		10



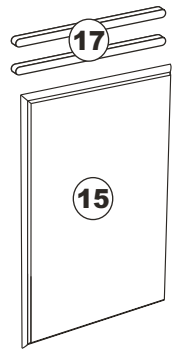
=3x



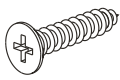
=1x

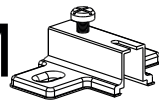


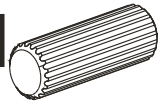
=2x

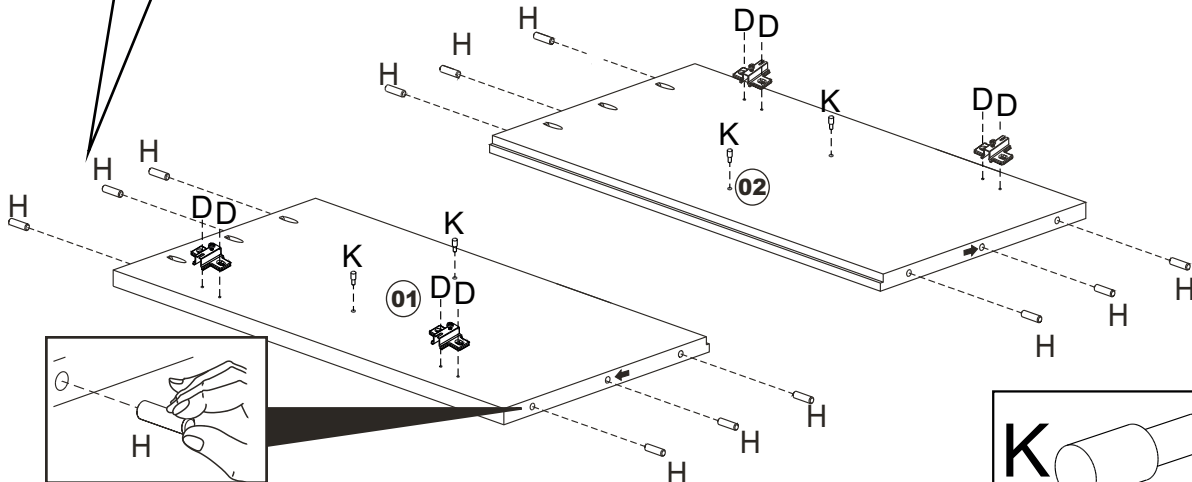
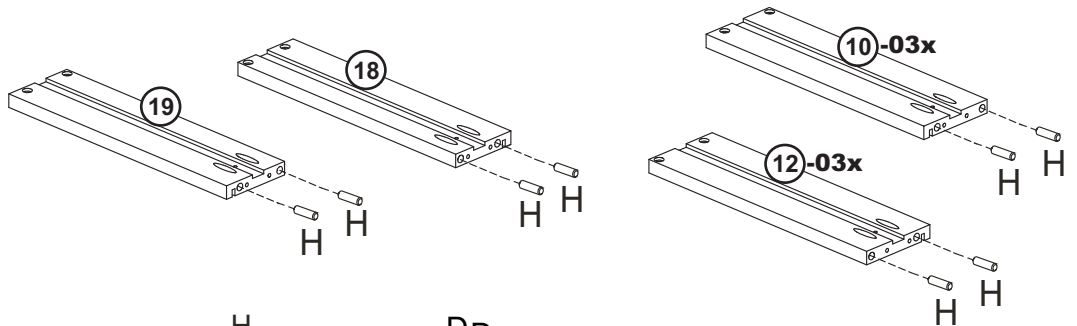
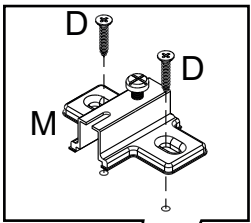


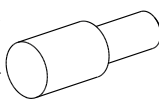
01

D  **X08**

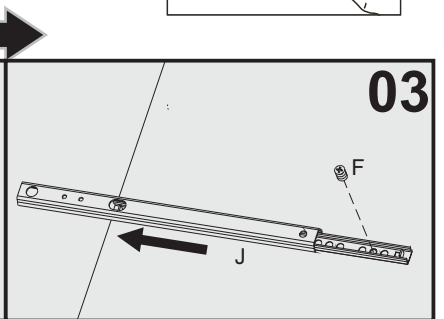
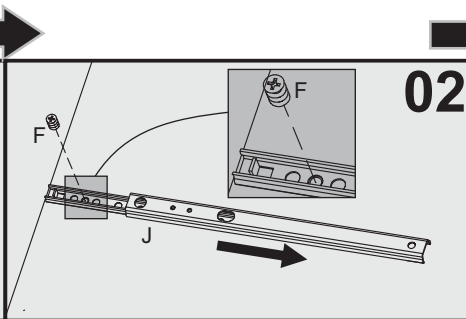
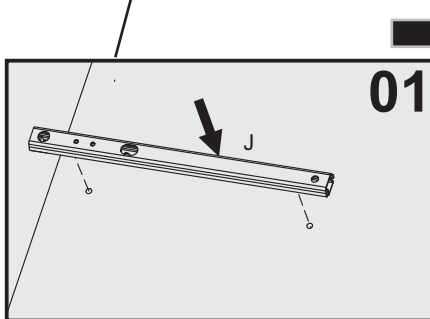
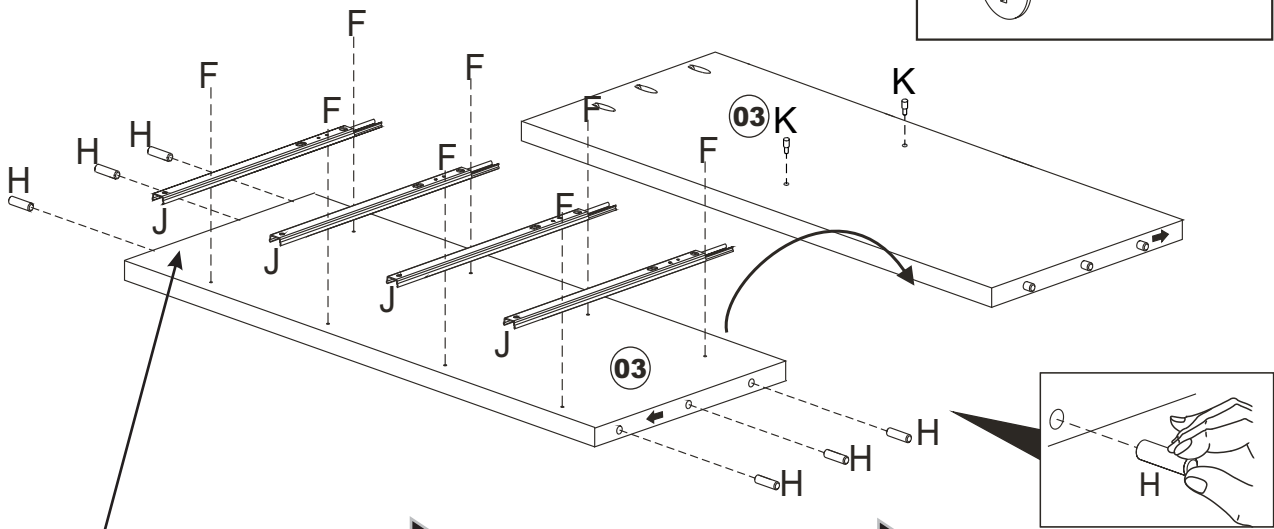
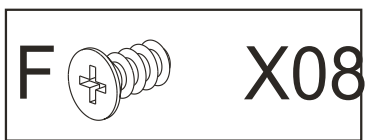
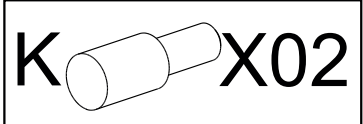
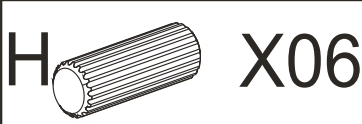
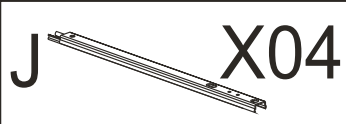
M  **X04**

H  **X28**

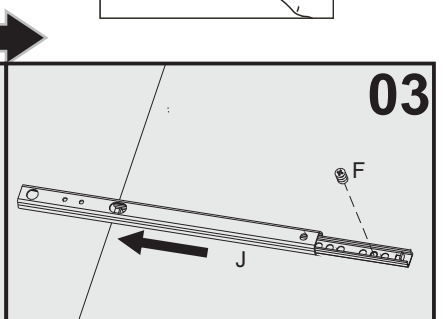
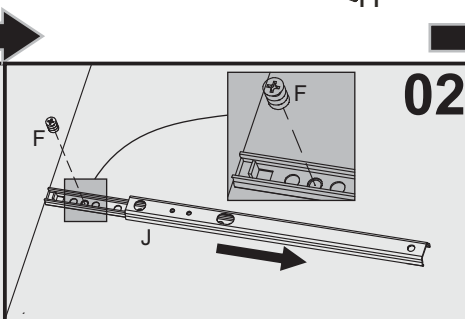
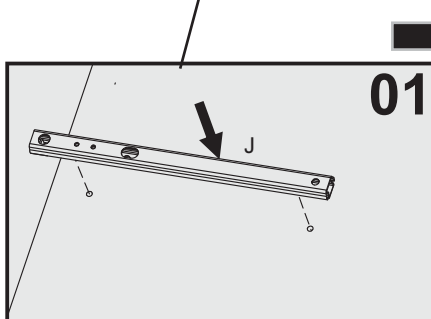
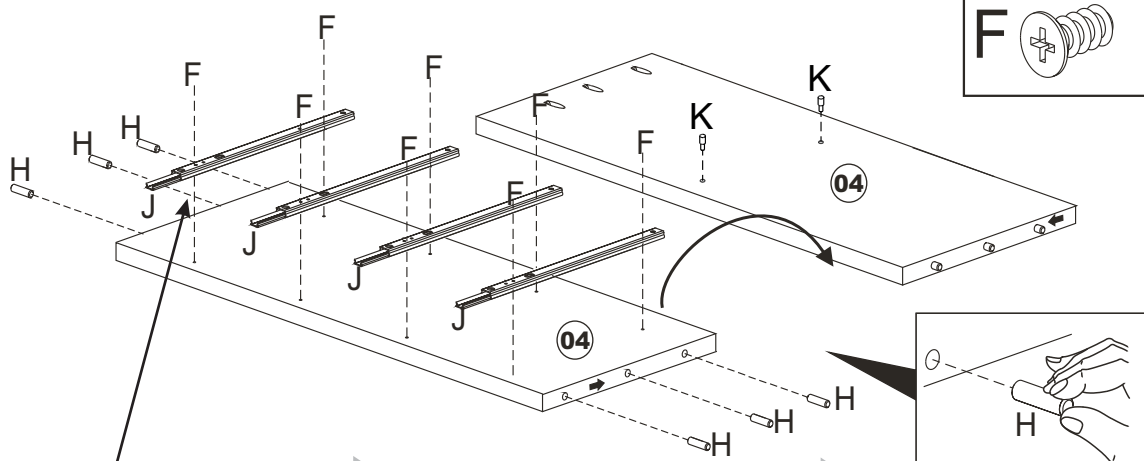
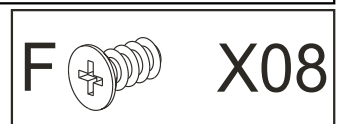
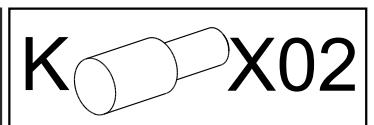
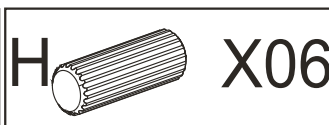
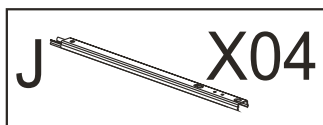


K  **X04**

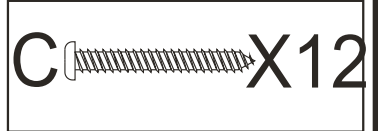
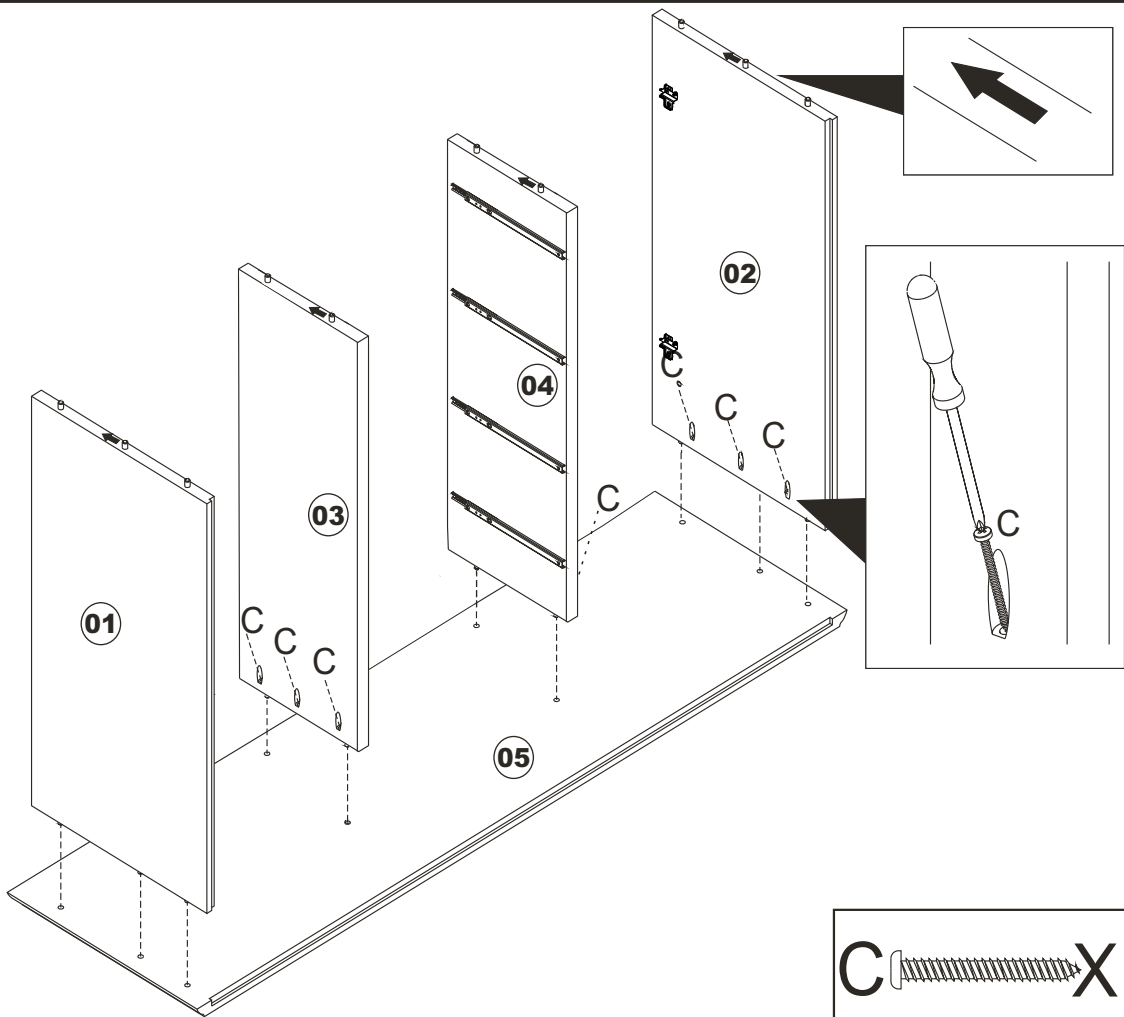
02



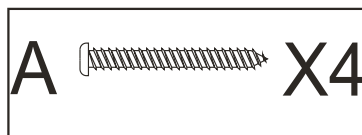
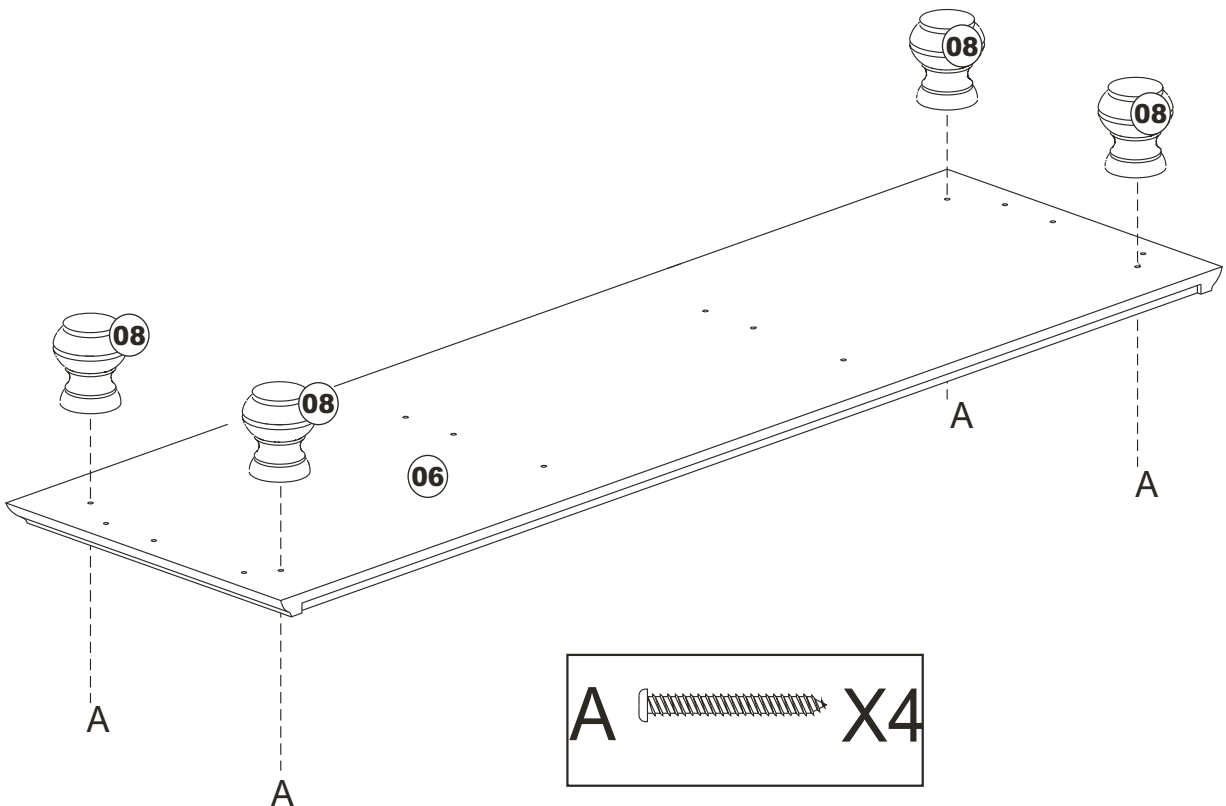
03



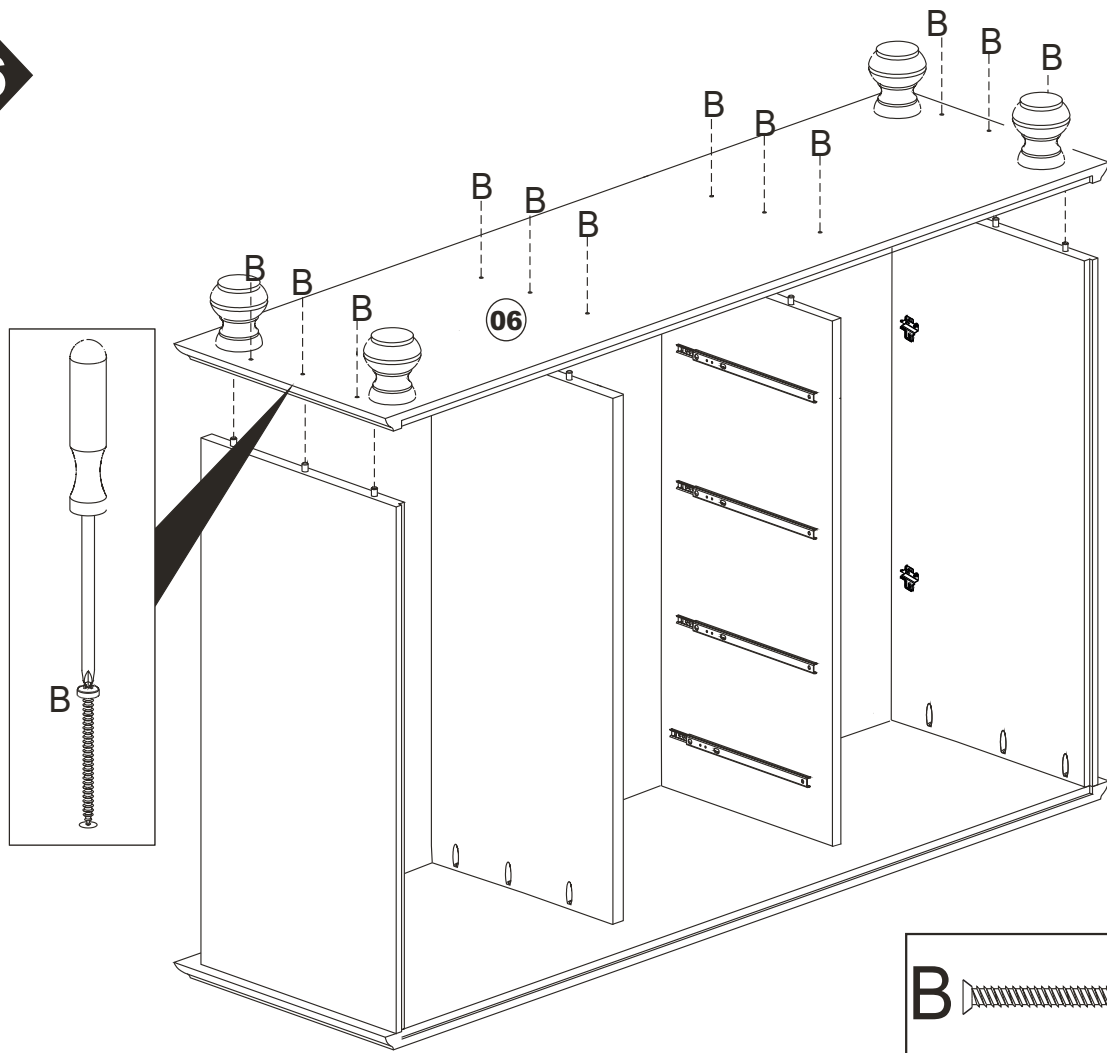
04

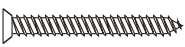


05

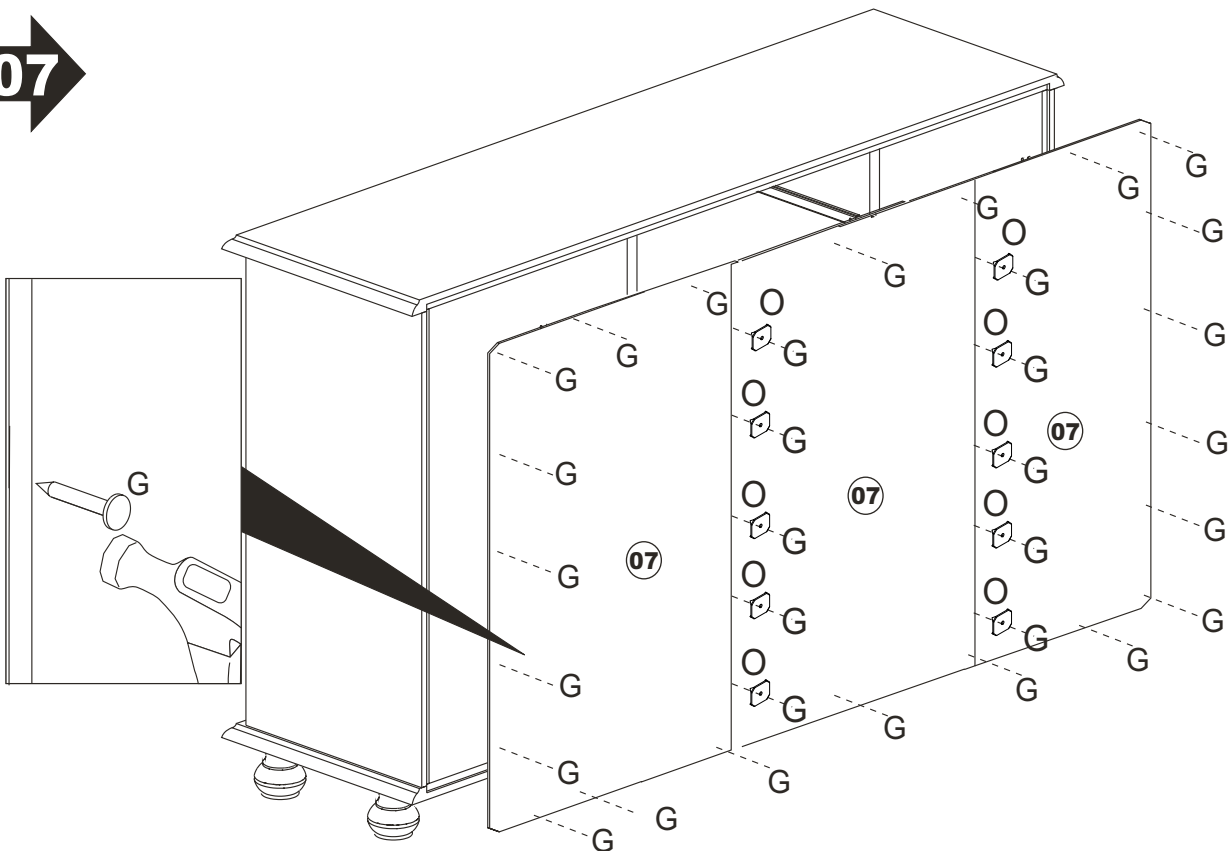


06

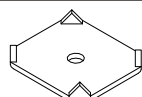


B  X12

07

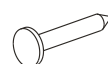


O



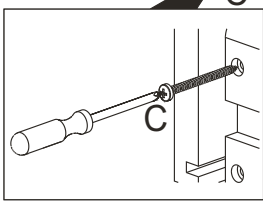
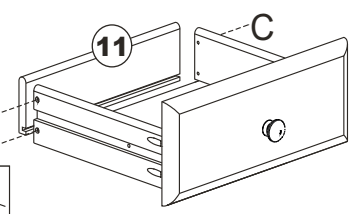
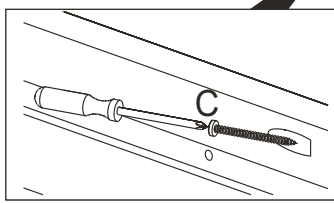
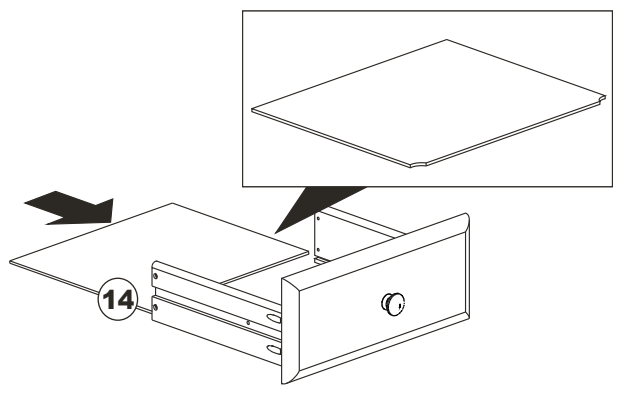
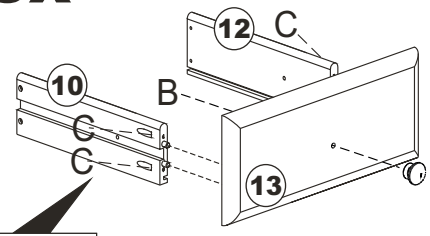
X10

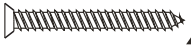
G





X38

08 → **=3x**

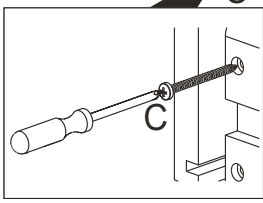
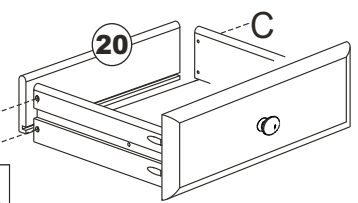
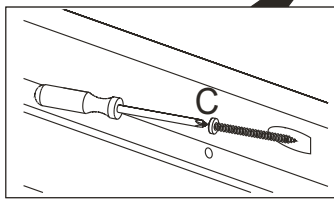
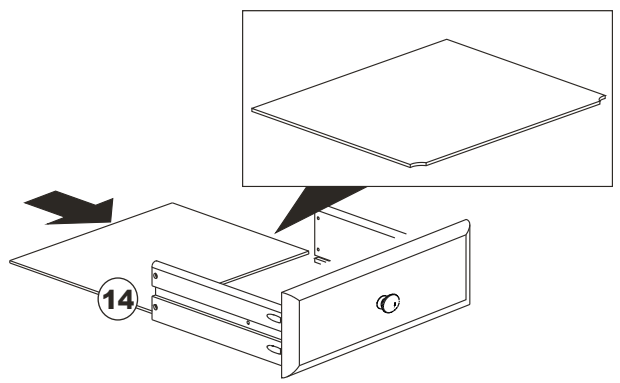
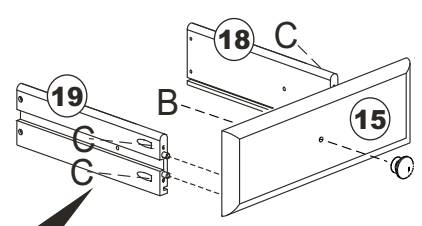



B  **X 3**


C  **X24**


I  **X3**

09 → **=1x**



B  **X 1**

C  **X08**

I  **X1**

10

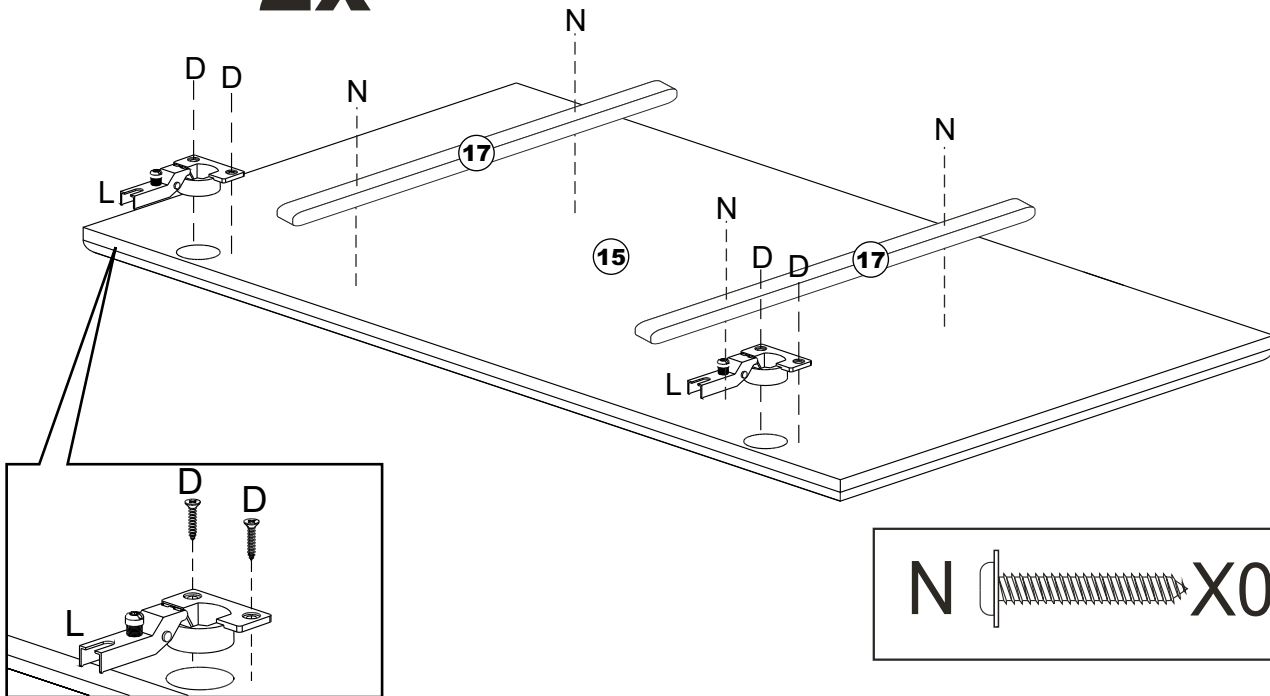


X08



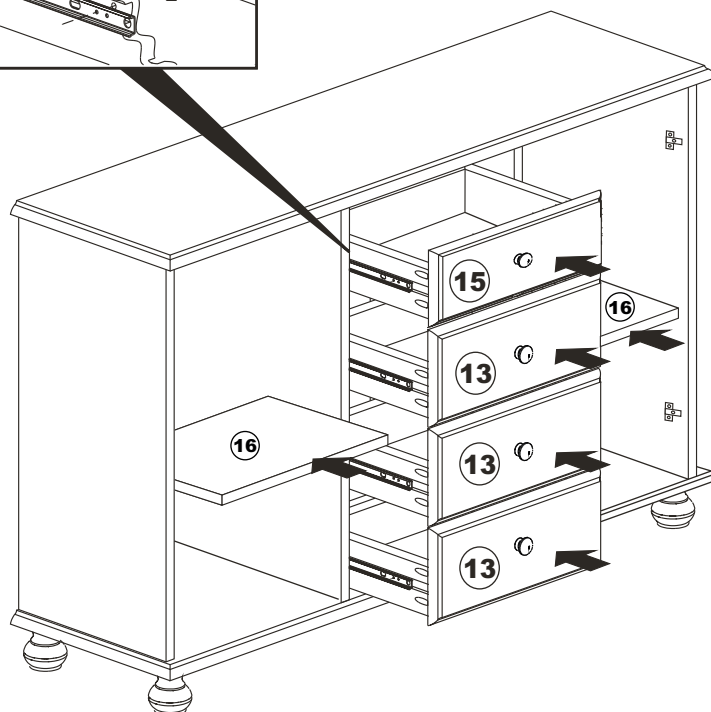
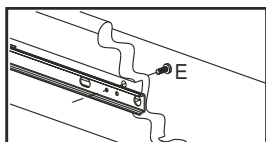
X04

=2x



X08

11



X08

12

B X02 I X2

