


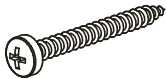

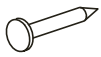
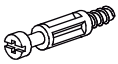



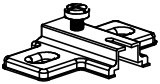
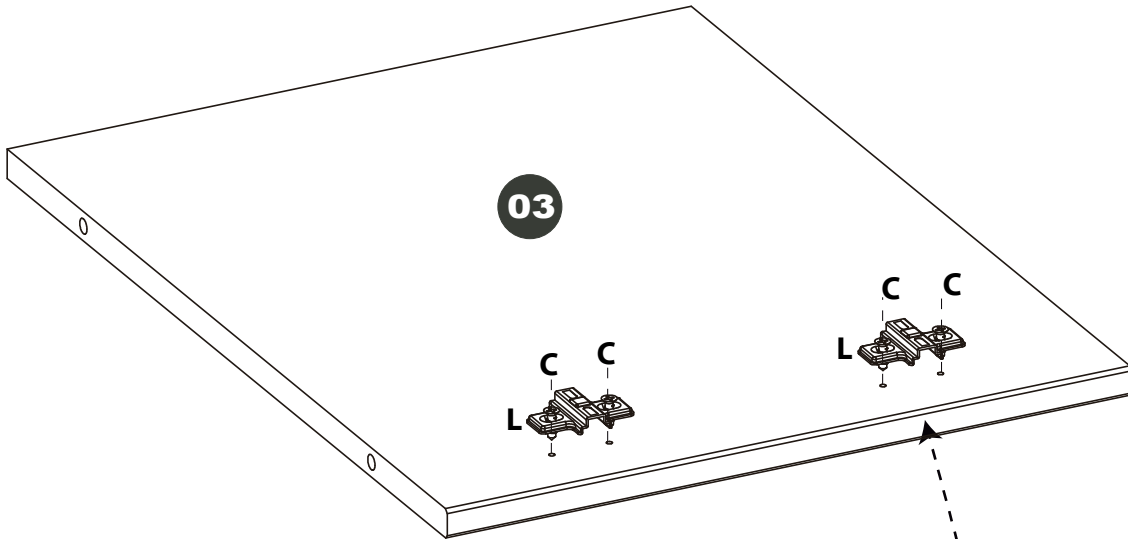
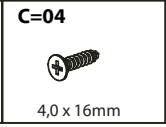
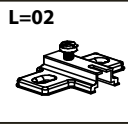
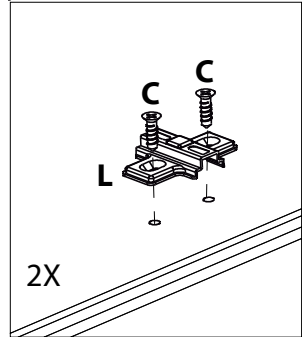


<b>A=12</b>  8,0 x 30mm	<b>B=03</b>  4,0 x 40mm	<b>C=24</b>  4,0 x 16mm	<b>D=03</b>  4,0 x 40mm	<b>E=18</b>  4,0 x 25mm
<b>F=26</b>  8,0 x 8,0mm	<b>G=15</b>  	<b>H=15</b>  	<b>I=03</b>  	<b>J=06</b>  
<b>L=06</b>  				

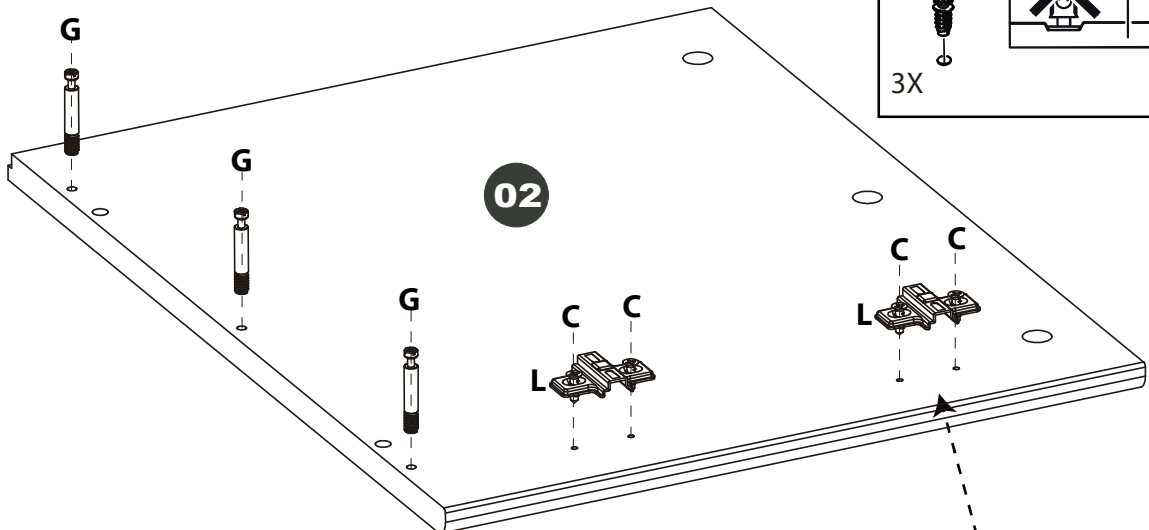
1



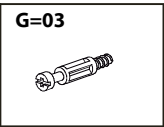
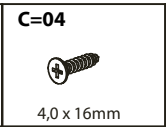
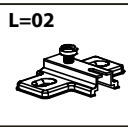
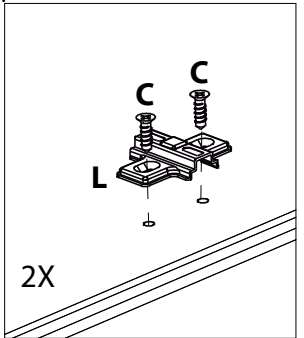
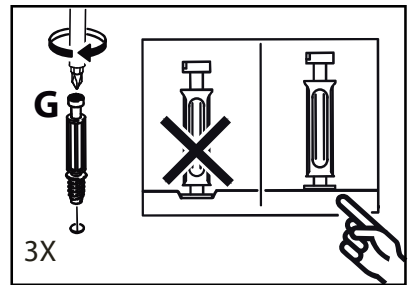
03



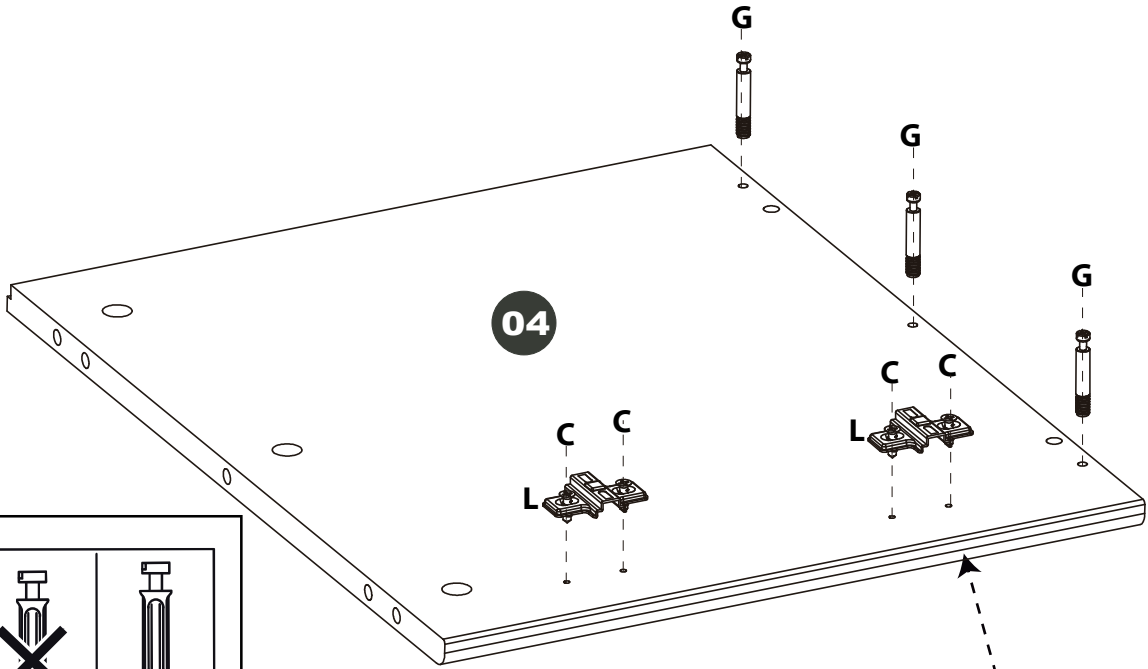
2



02



3



04

G

G

C

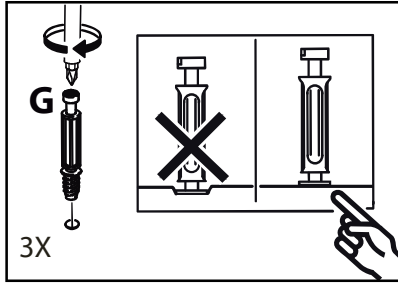
C

L

C

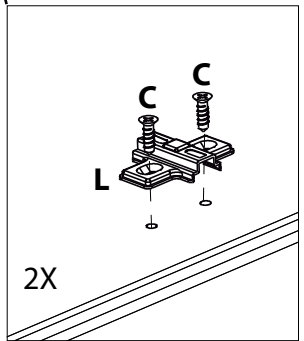
C

L



G

3X



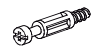


C

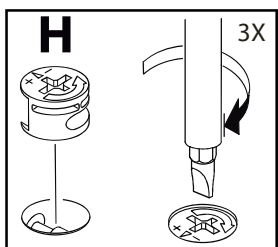
C

L

2X

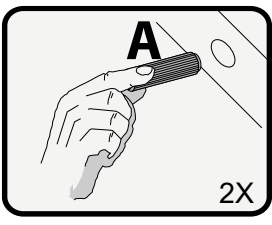
<p>L=02</p> 	<p>C=04</p>  <p>4,0 x 16mm</p>	<p>G=03</p> 
--	---	---

4



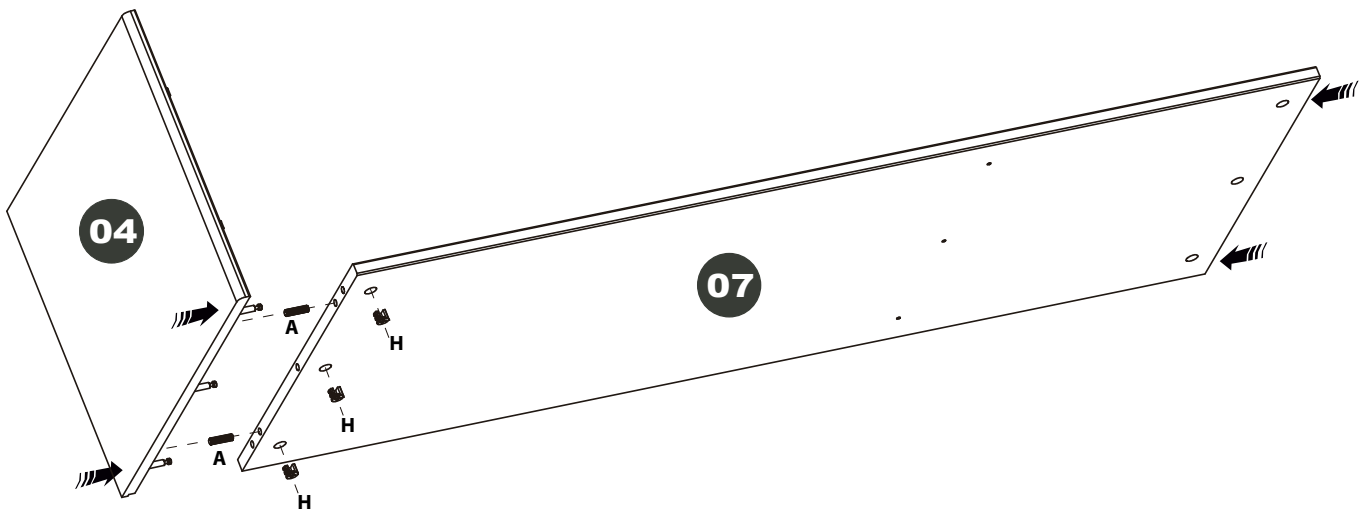
H

3X



A

2X



04



07

A

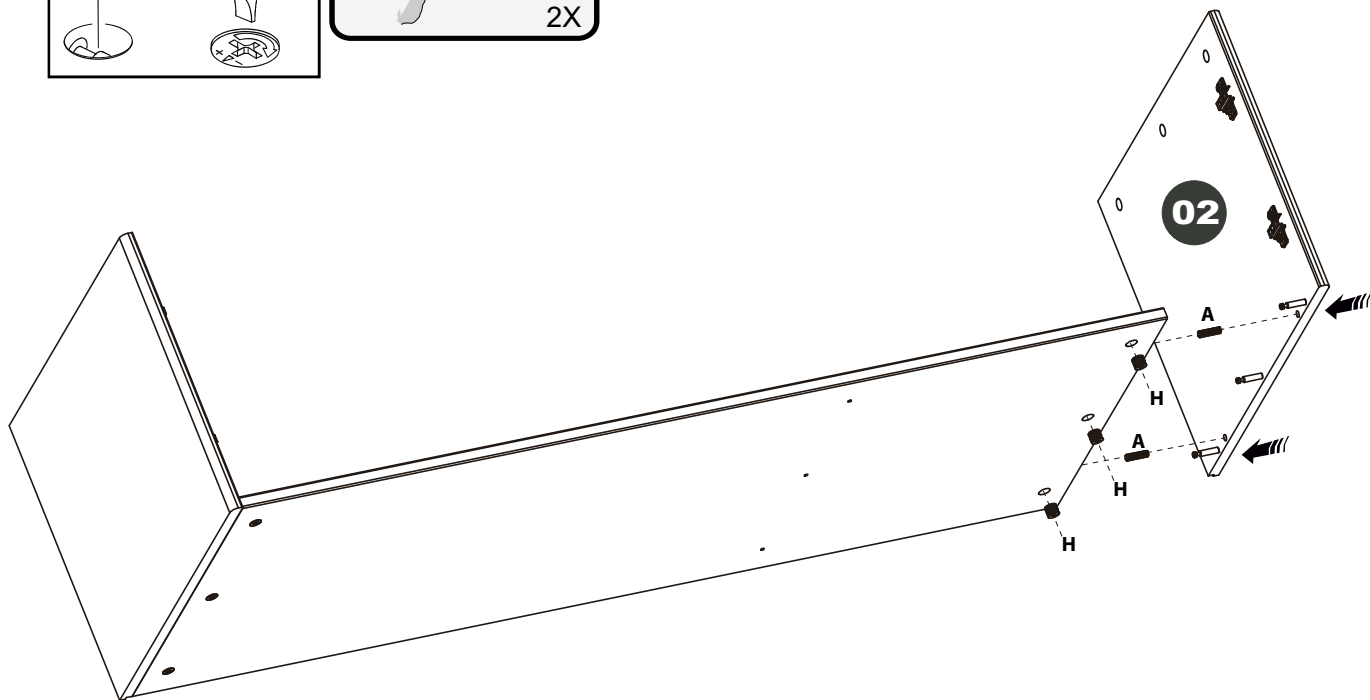
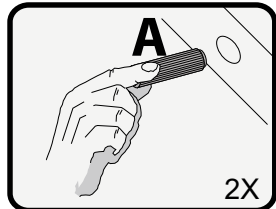
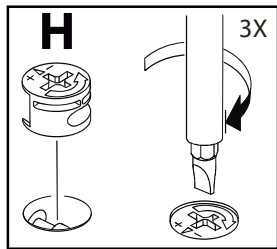
H

A

H

<p>H=03</p> 	<p>A=02</p>  <p>8,0 x 30mm</p>
--	---

5



H=03

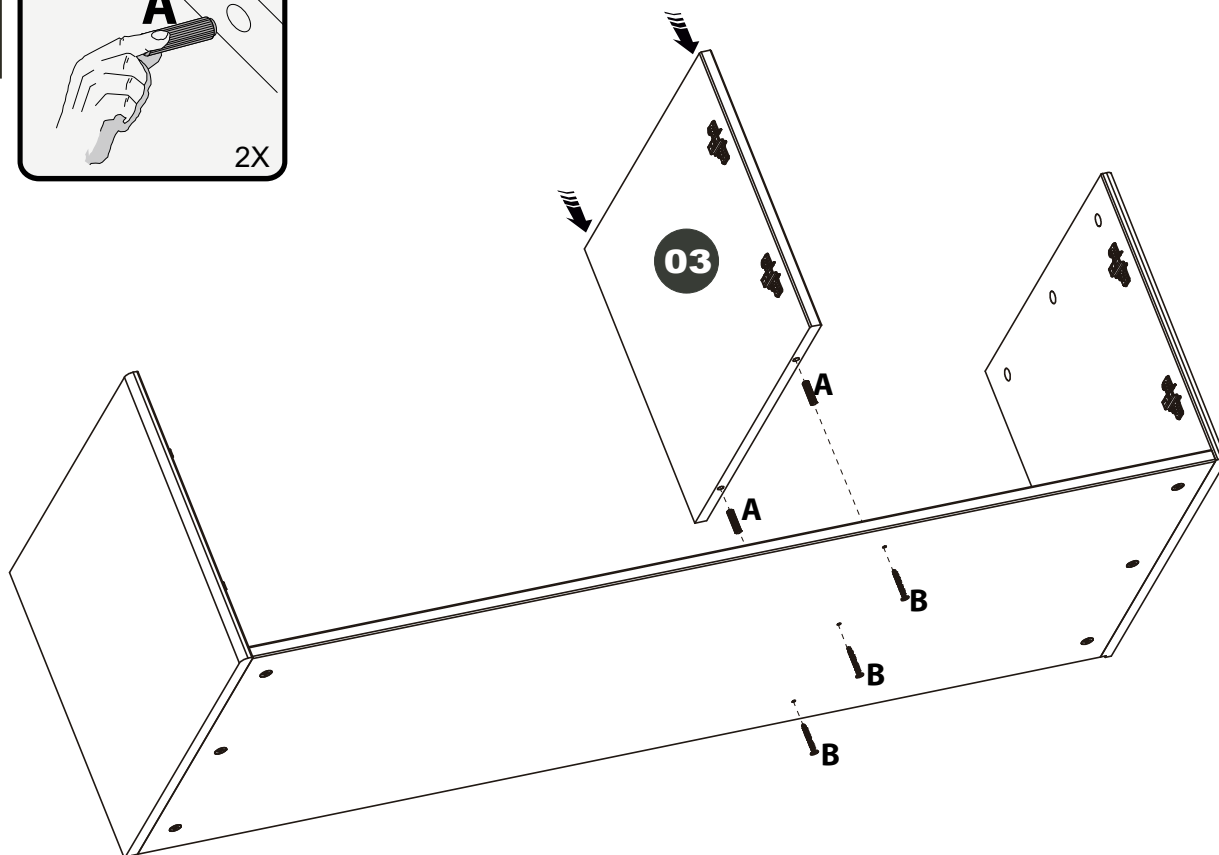
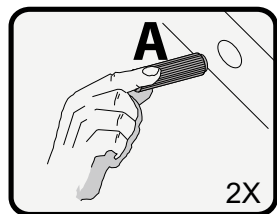


A=02



8,0 x 30mm

6



A=02



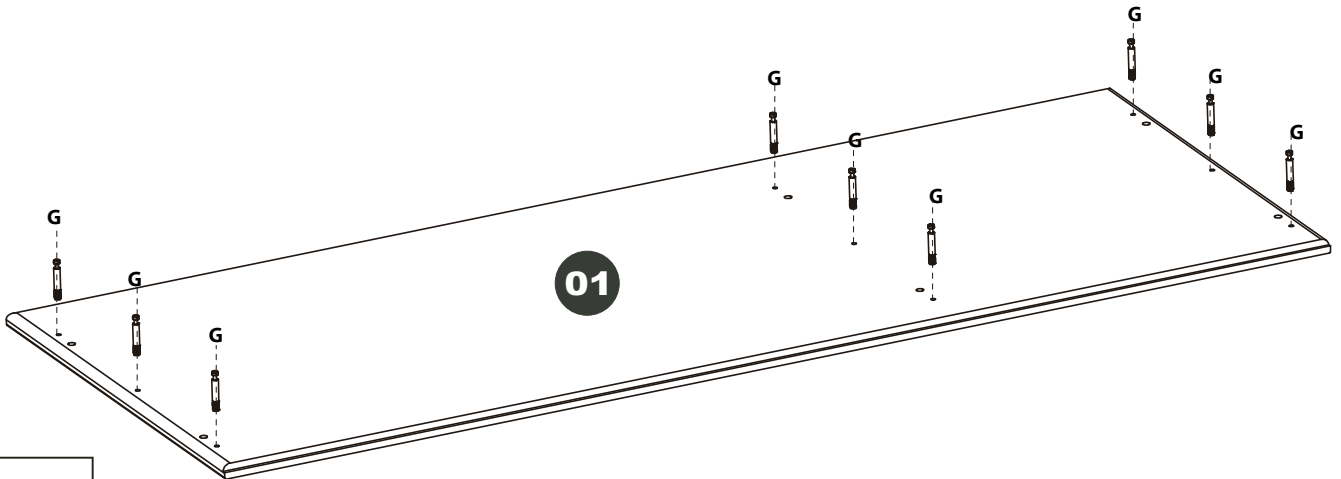
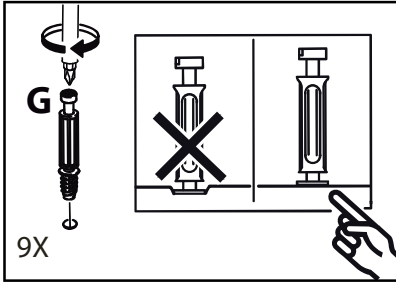
8,0 x 30mm

B=03



4,0 x 40mm

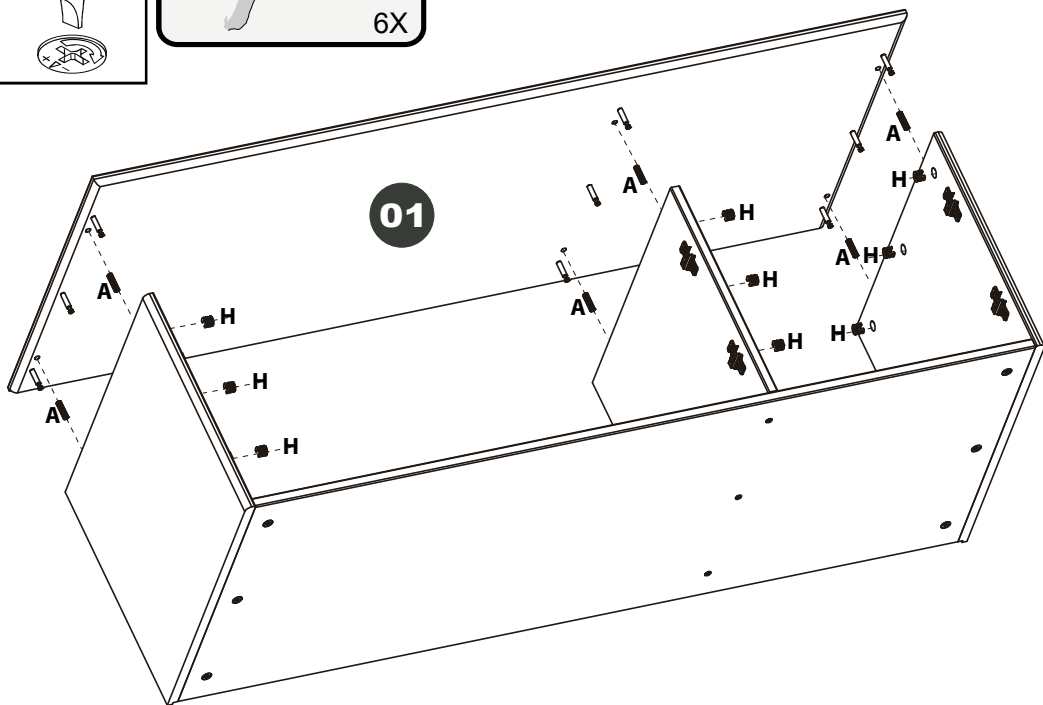
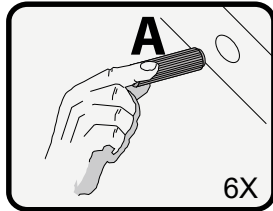
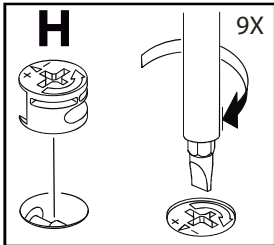
7



G=09



8



H=09

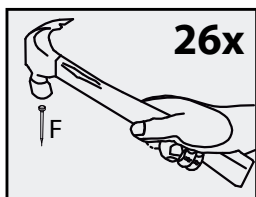
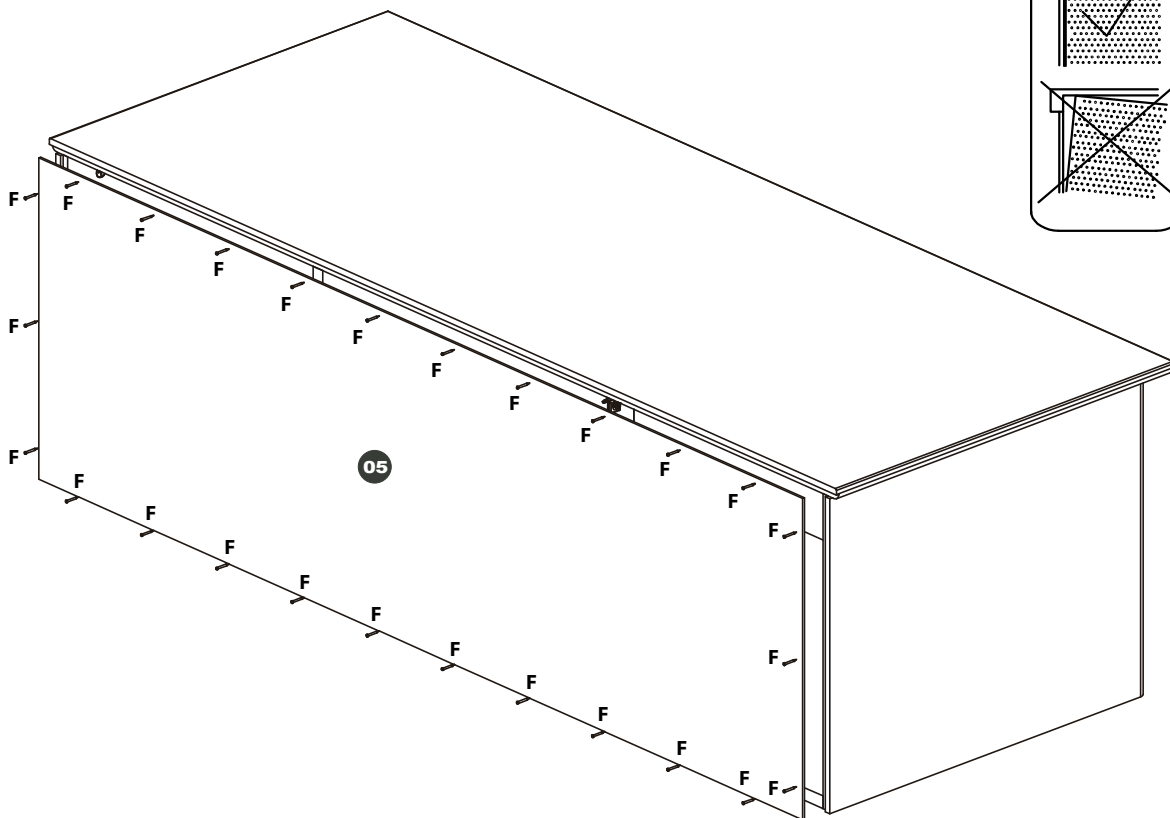
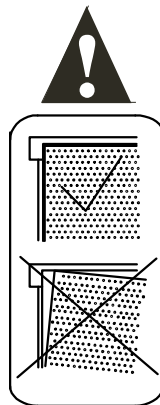
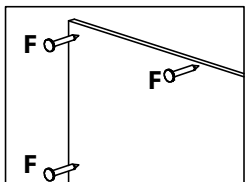


A=06

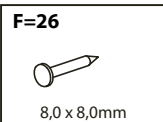


8,0 x 30mm

9



26x



F=26

8,0 x 8,0mm

10 3x

