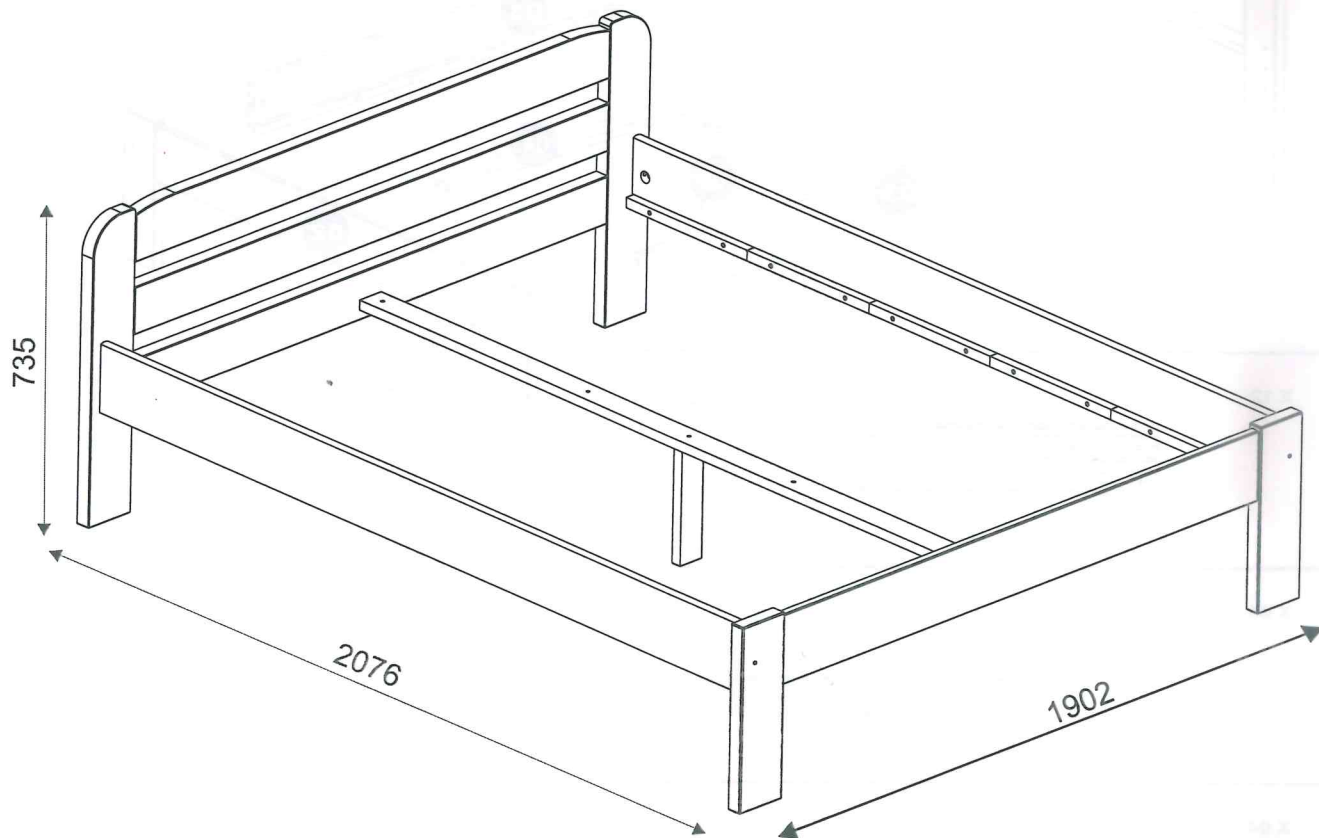
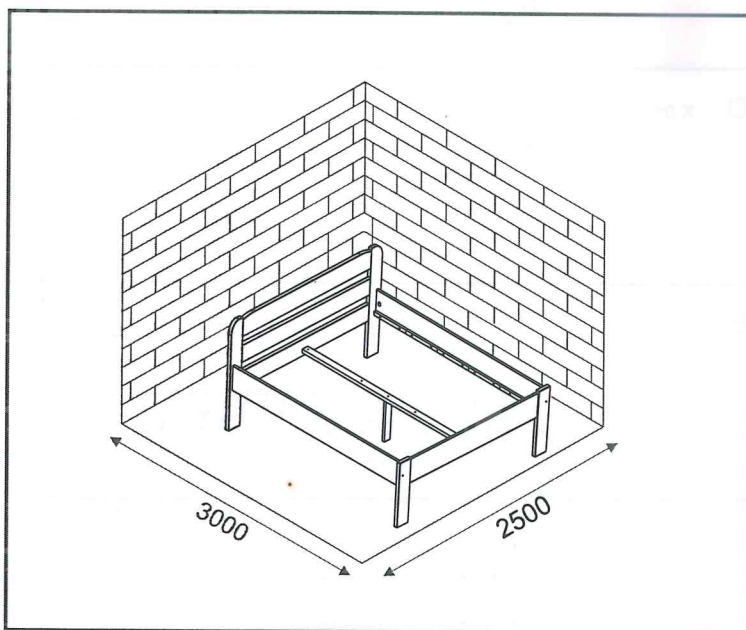
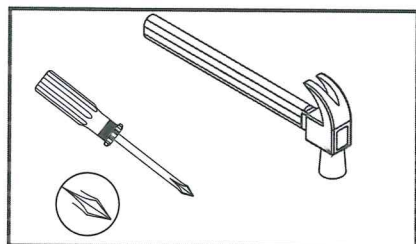


8297

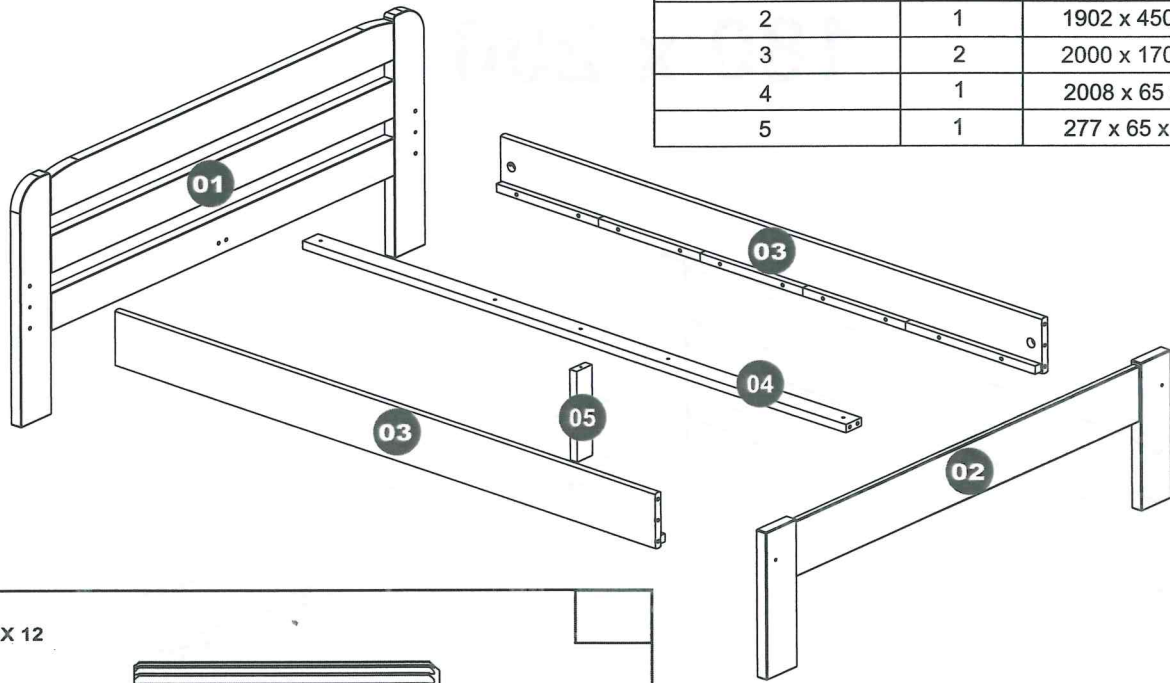
180 x 200



20 min.



1	1	1902 x 735 x 38	
2	1	1902 x 450 x 38	
3	2	2000 x 170 x 48	
4	1	2008 x 65 x 38	
5	1	277 x 65 x 25	

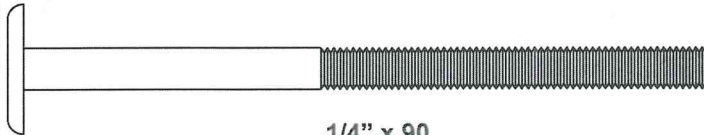


A x 12



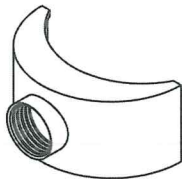
10,0x40

B x 04



1/4" x 90

C x 04

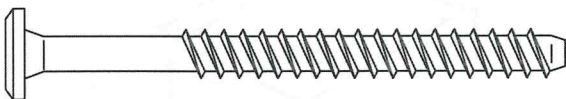


D x 01



4mm.

E x 01

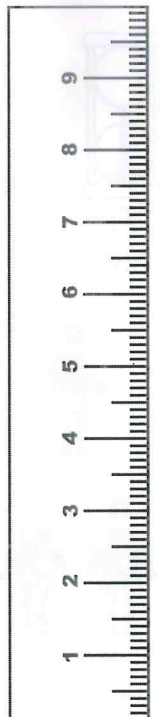


7,0x70

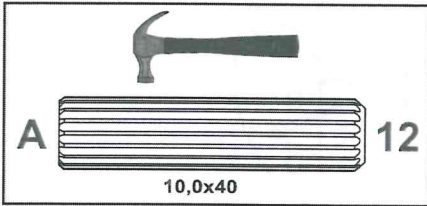
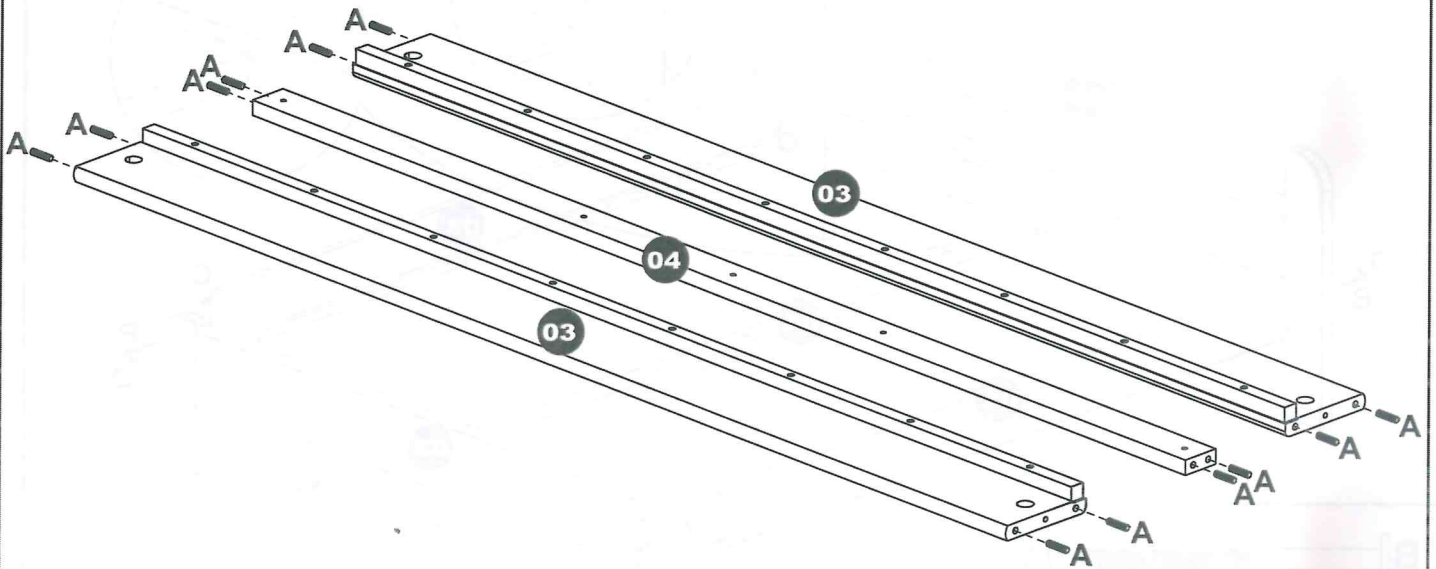
F x 04



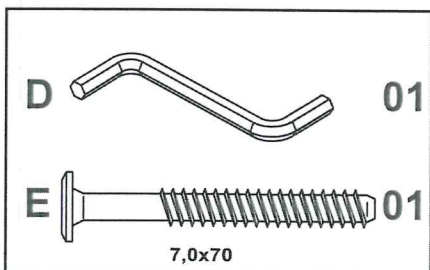
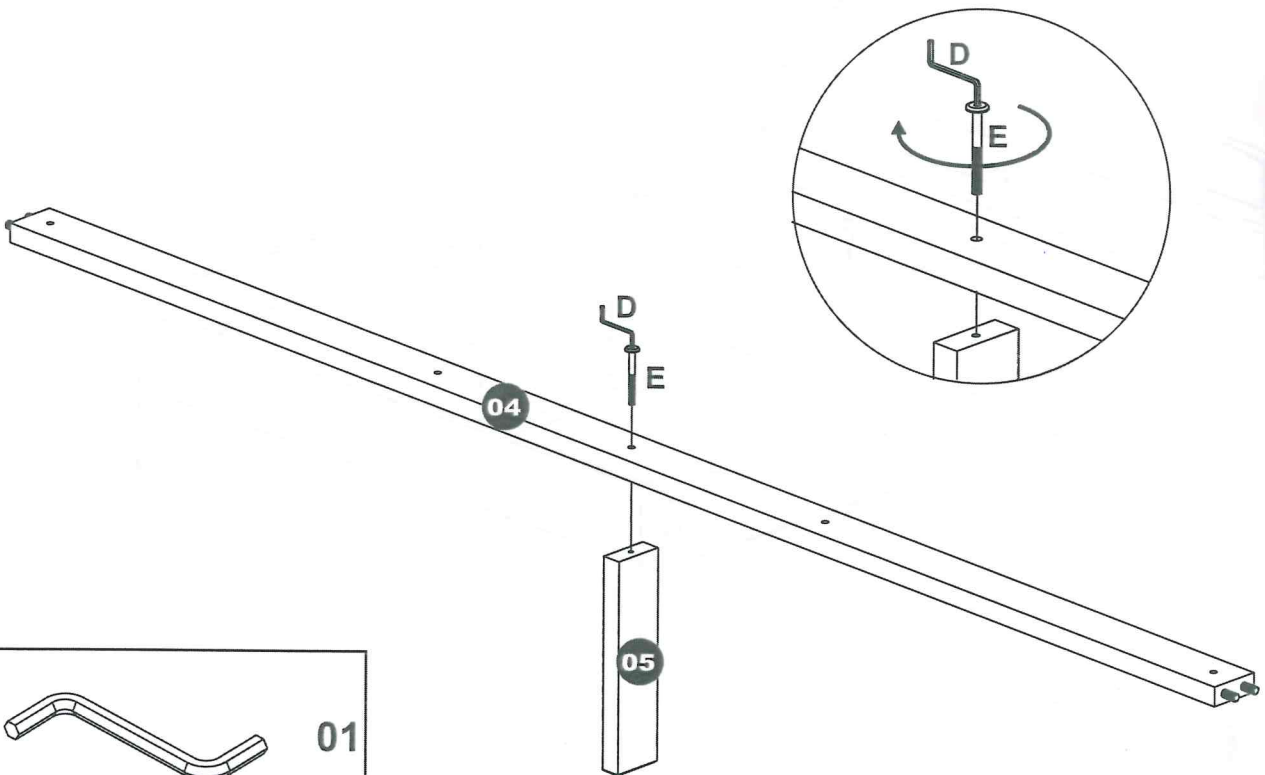
8,0x30



01

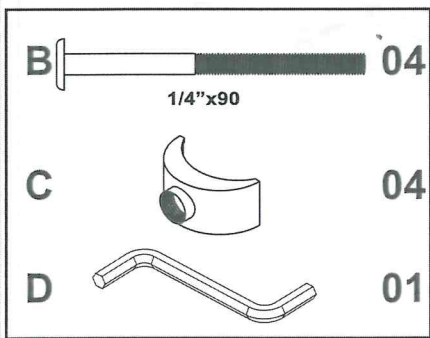
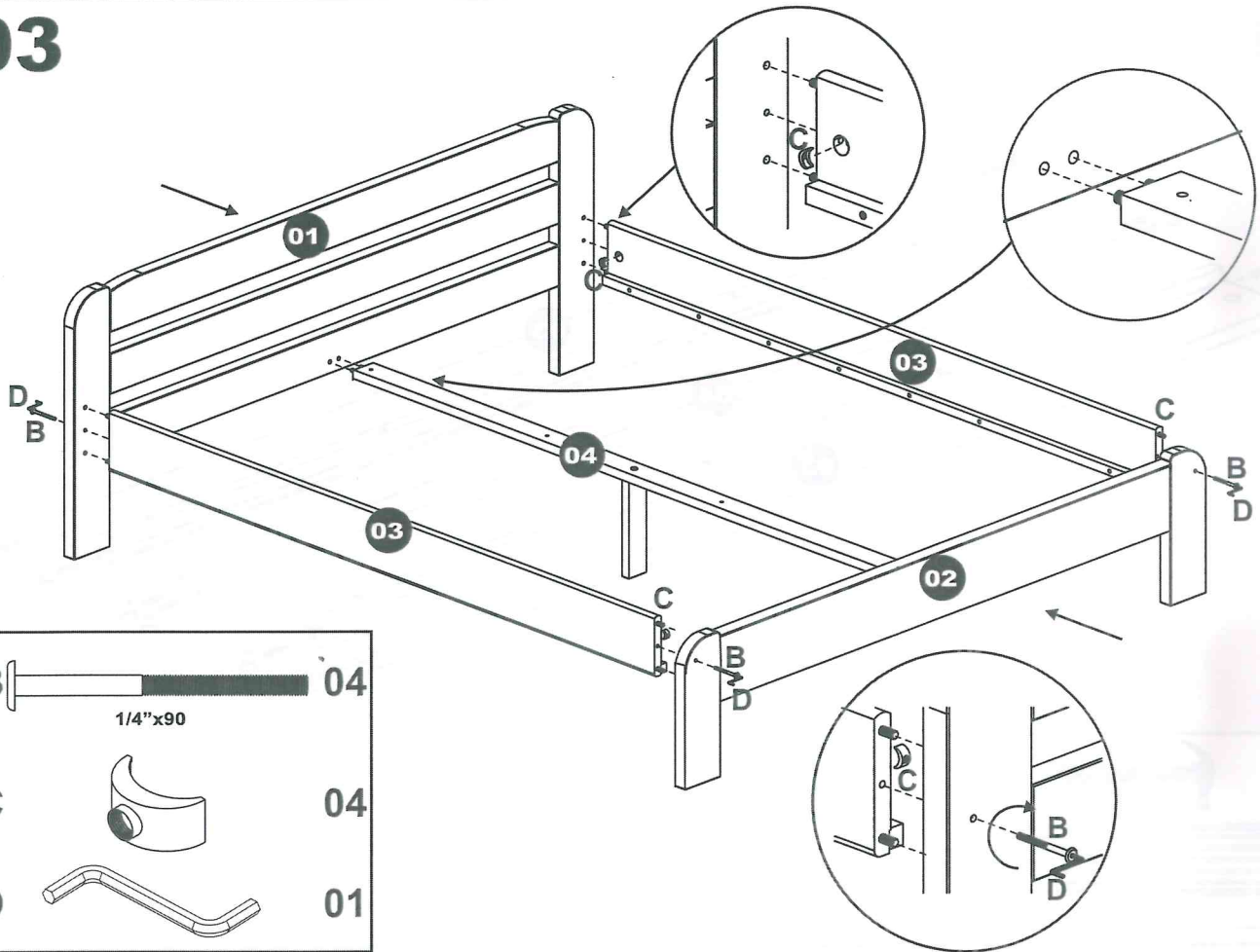


02



3-4

03



04

