

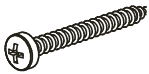
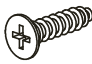


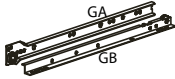
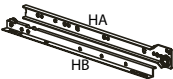



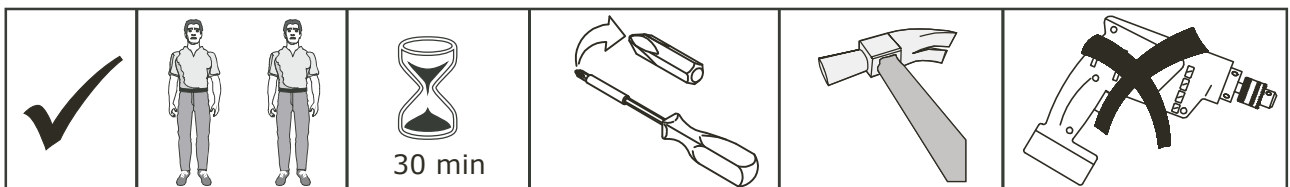
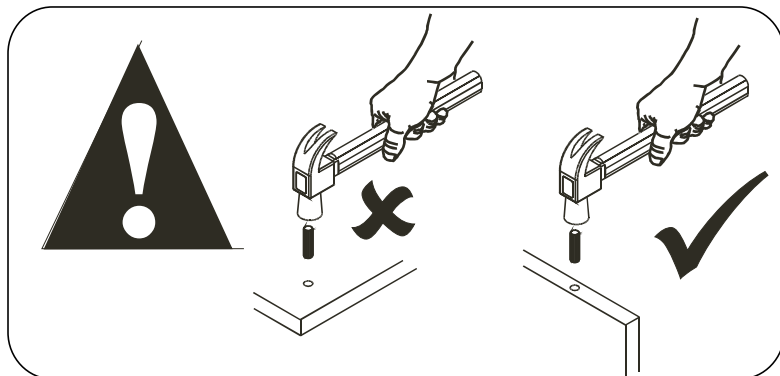
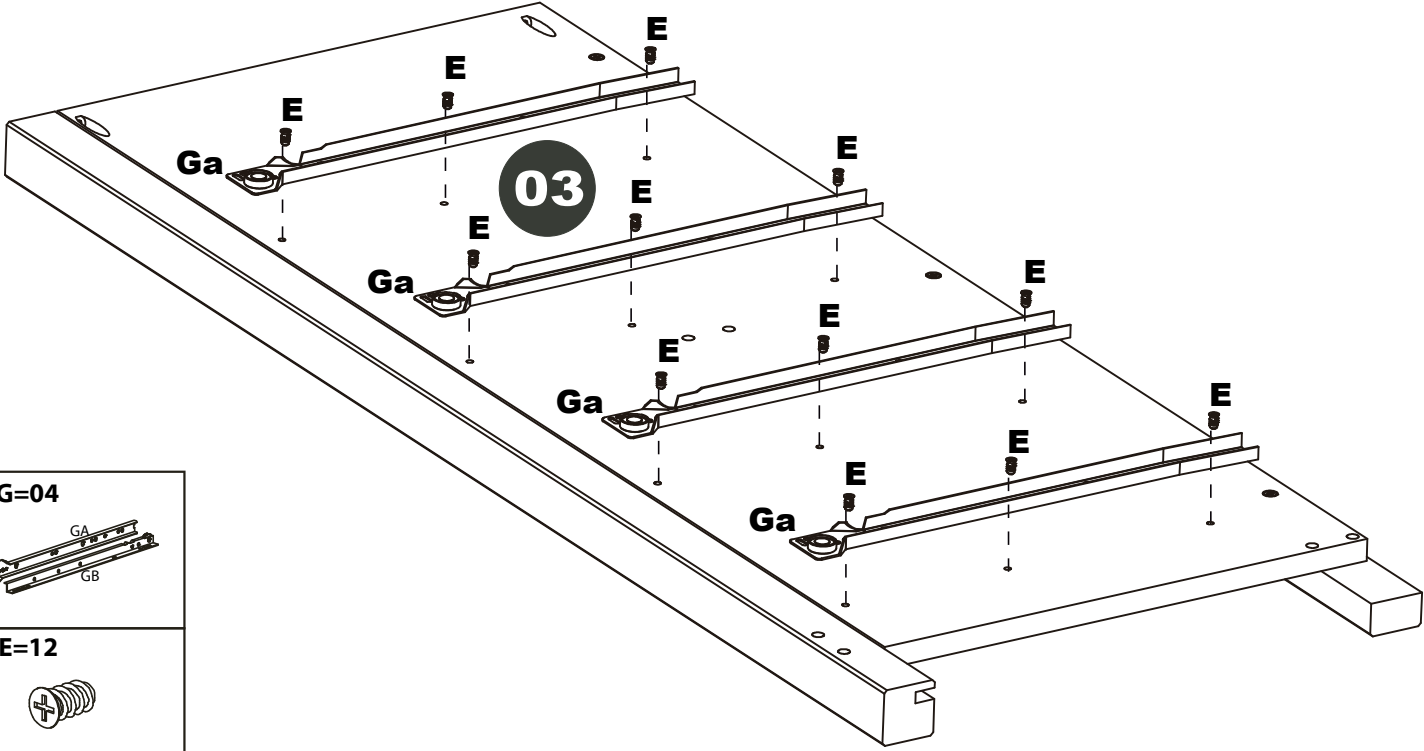
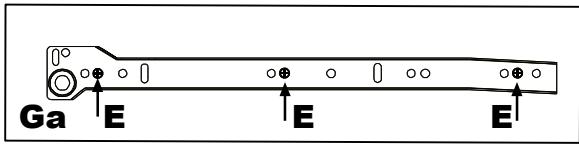


A=36  8,0 x 30 mm	B=43  3,5 x 30 mm	C=11  4,0 x 40 mm	D=25  3,0 x 16 mm	E=24  6,0 x 10 mm
F=26 	G=04 	H=04 	I=08 	J=02 
K=01 				



1

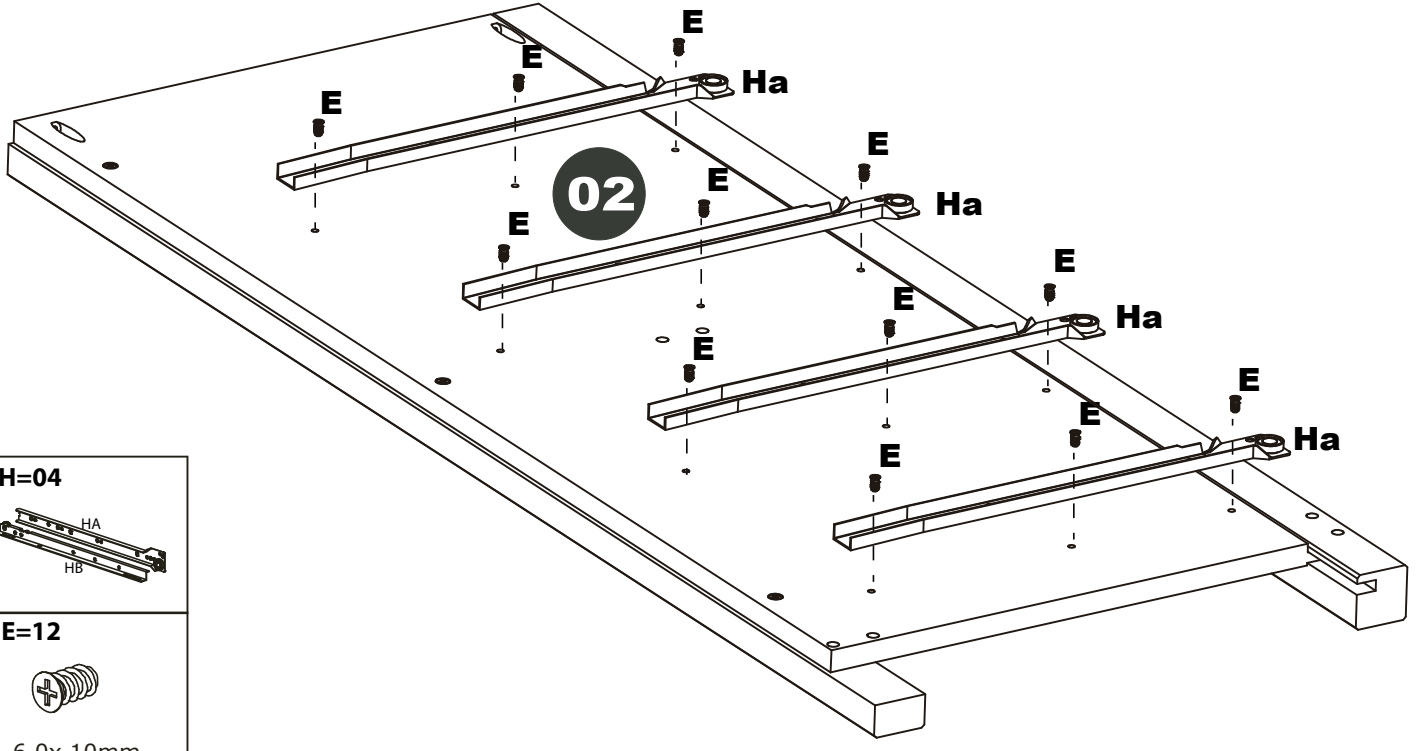
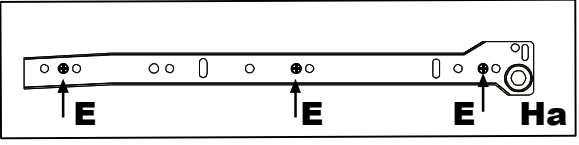


G=04

E=12

6,0x 10mm

2

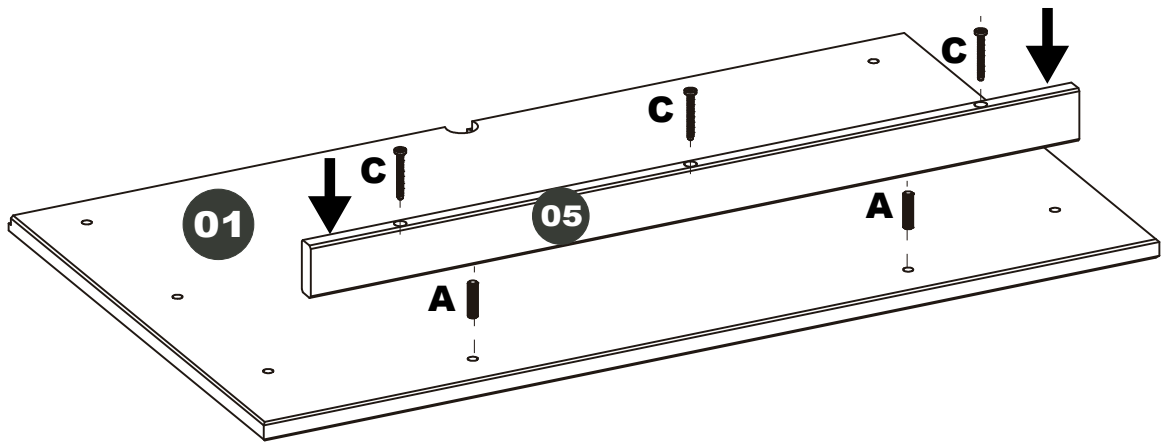
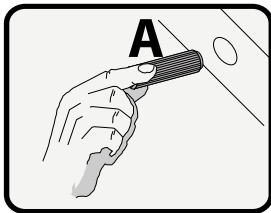
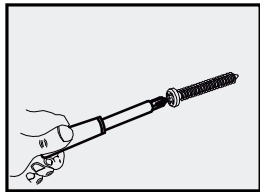


H=04

E=12

6,0x 10mm

3

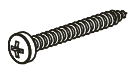


A=02



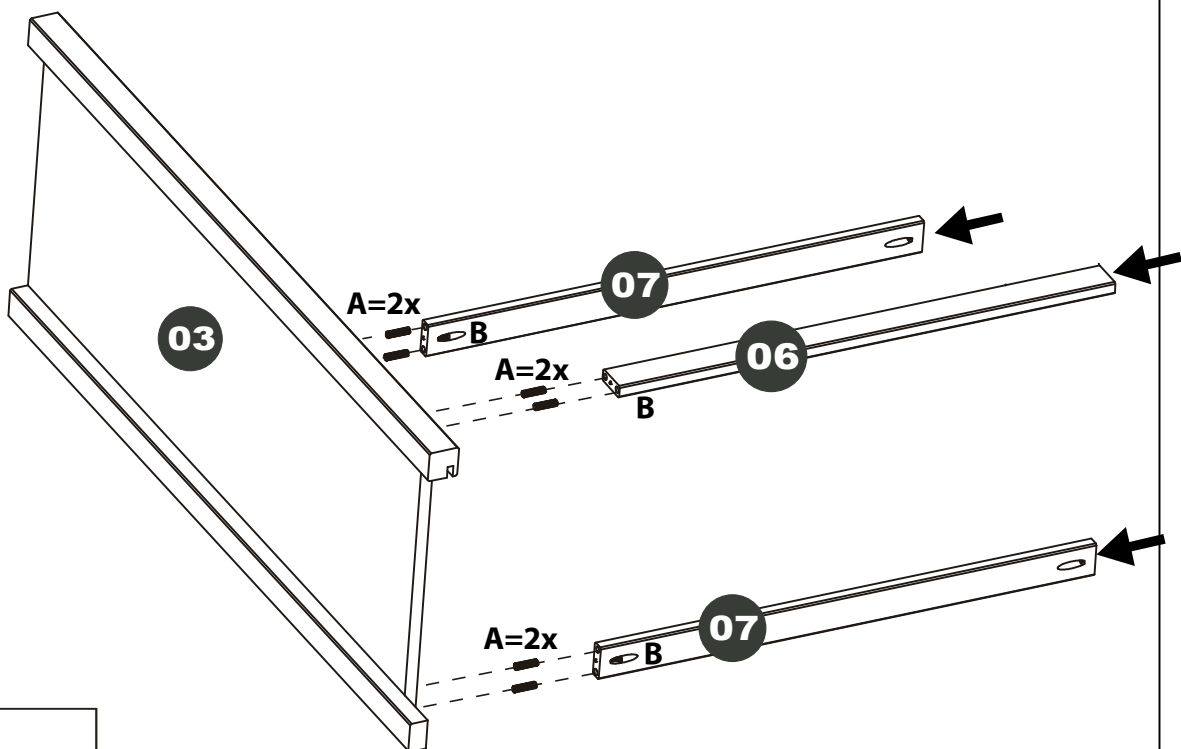
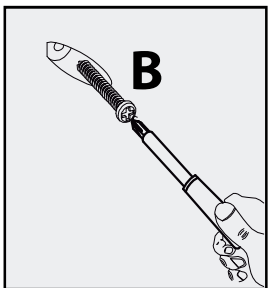
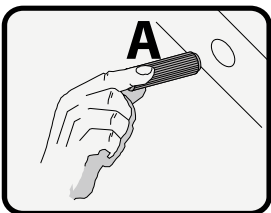
8,0 x 30mm

C=03



4,0 x 40mm

4

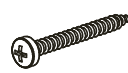


A=06



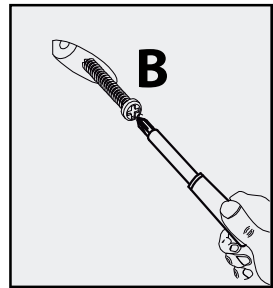
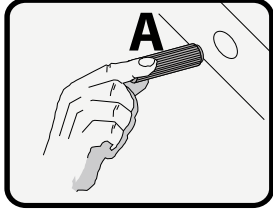
8,0 x 30mm

B=03



3,5 x 30mm

5



A=06

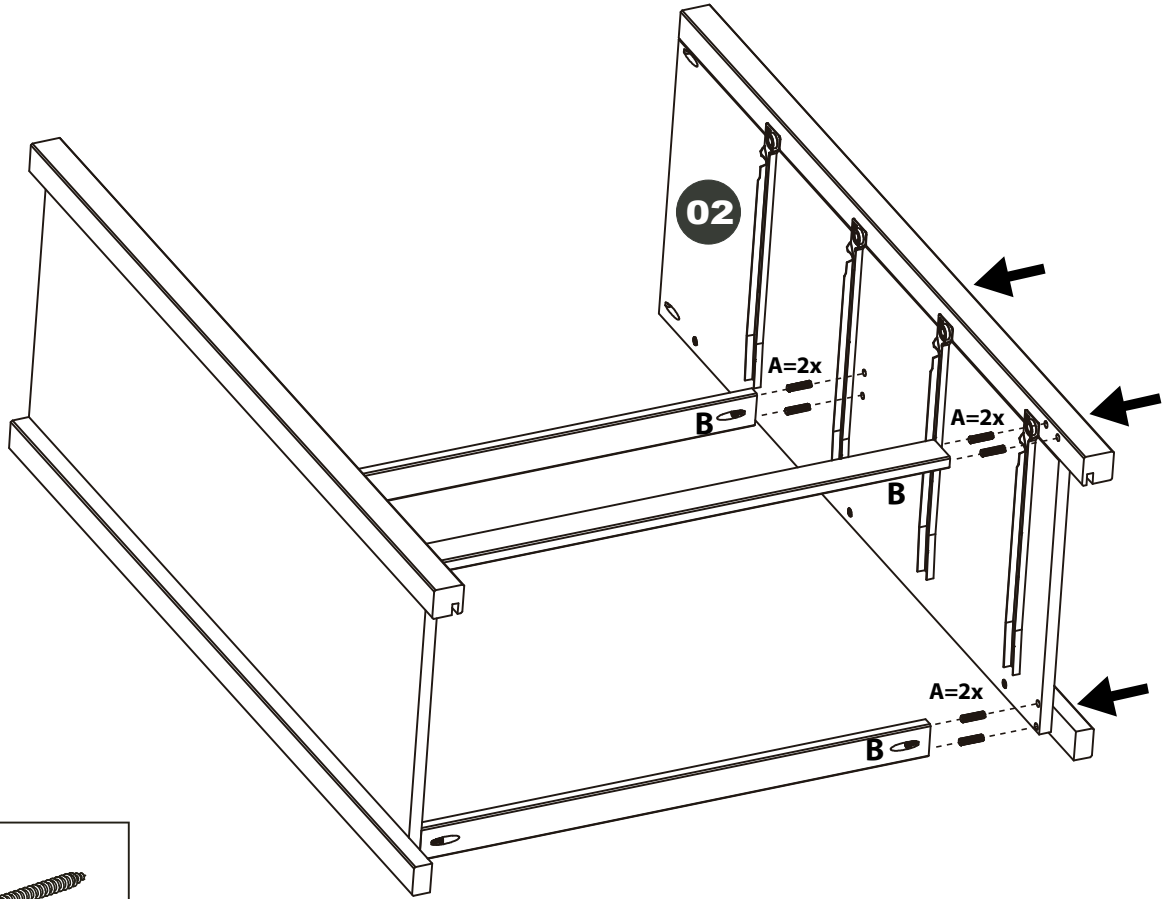


8,0 x 30mm

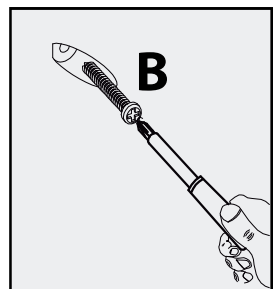
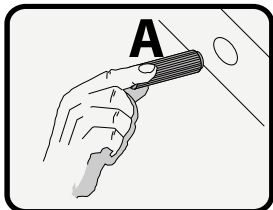
B=03



3,5 x 30mm



6



A=06

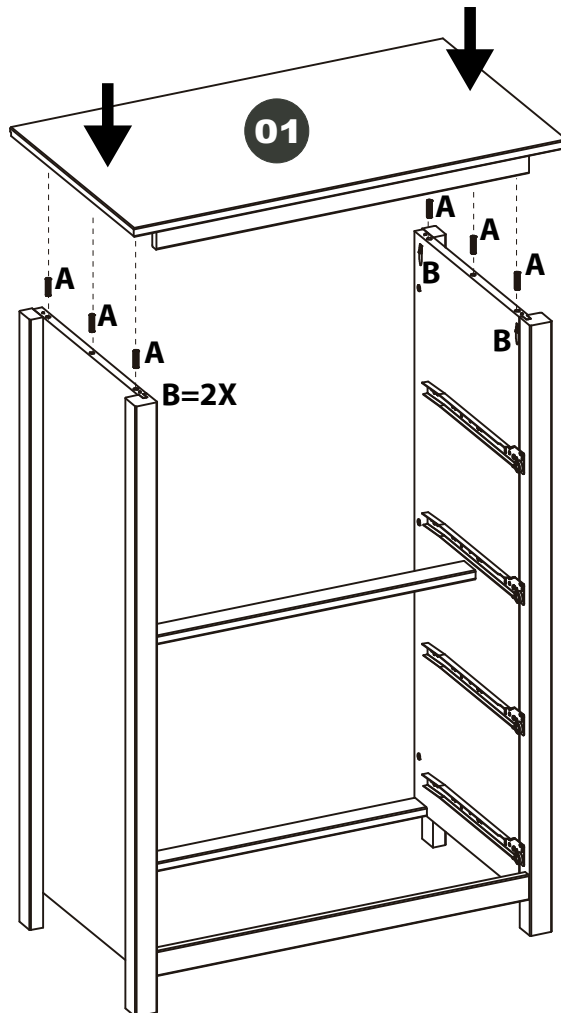


8,0 x 30mm

B=02

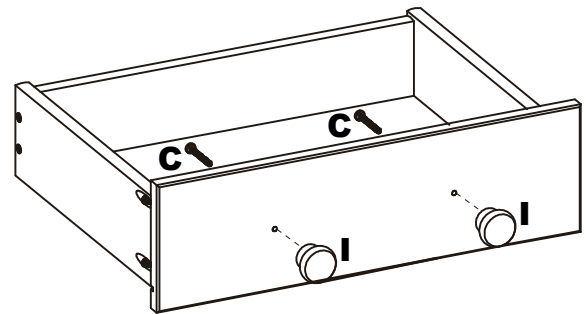
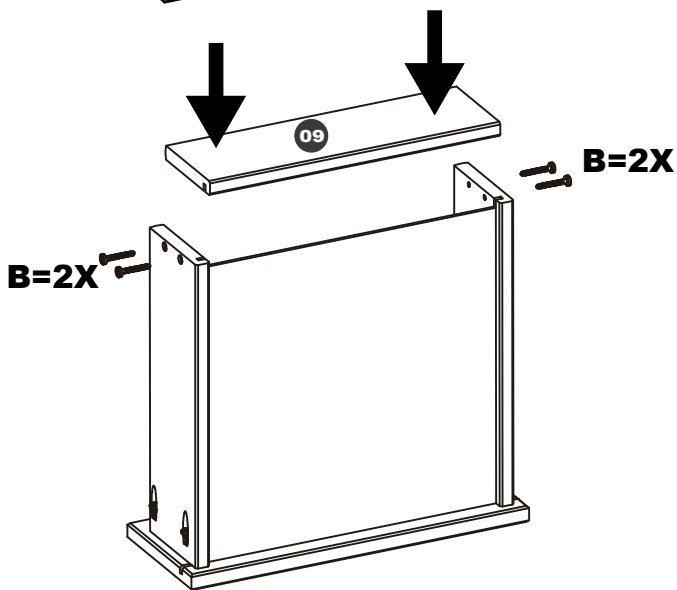
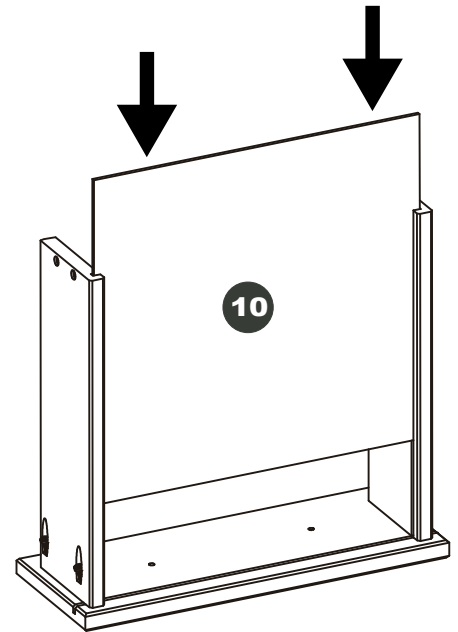
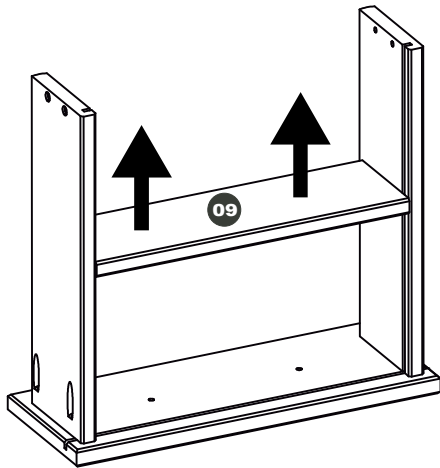
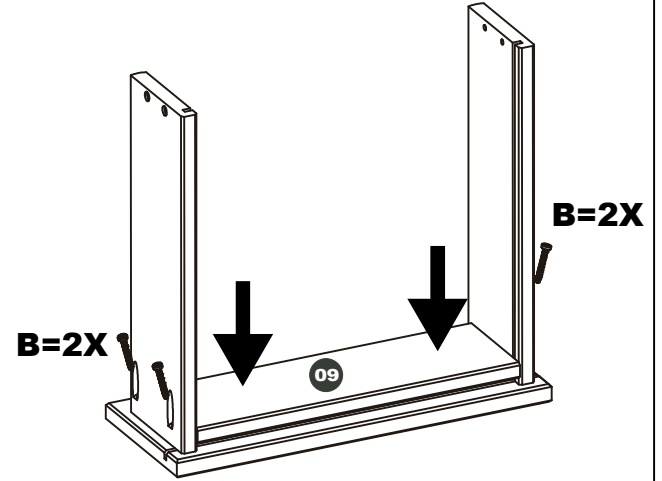
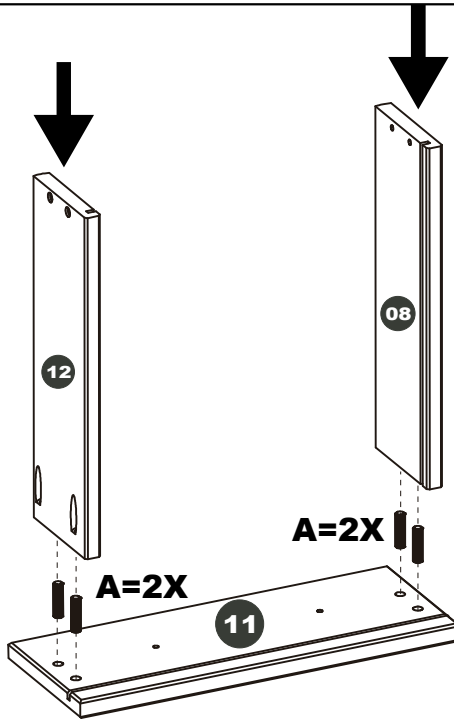
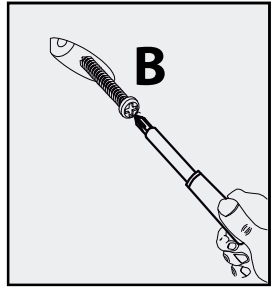
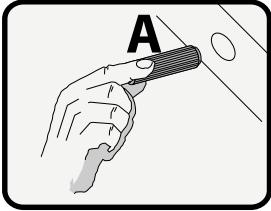


3,5 x 30mm



7

4X

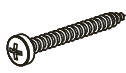


A=16



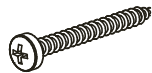
8,0 x 30mm

B=32



3,5 x 30mm

C=08

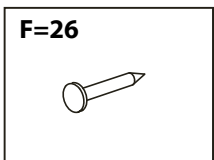
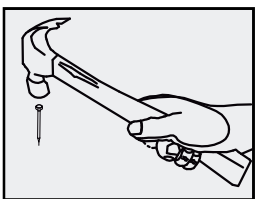
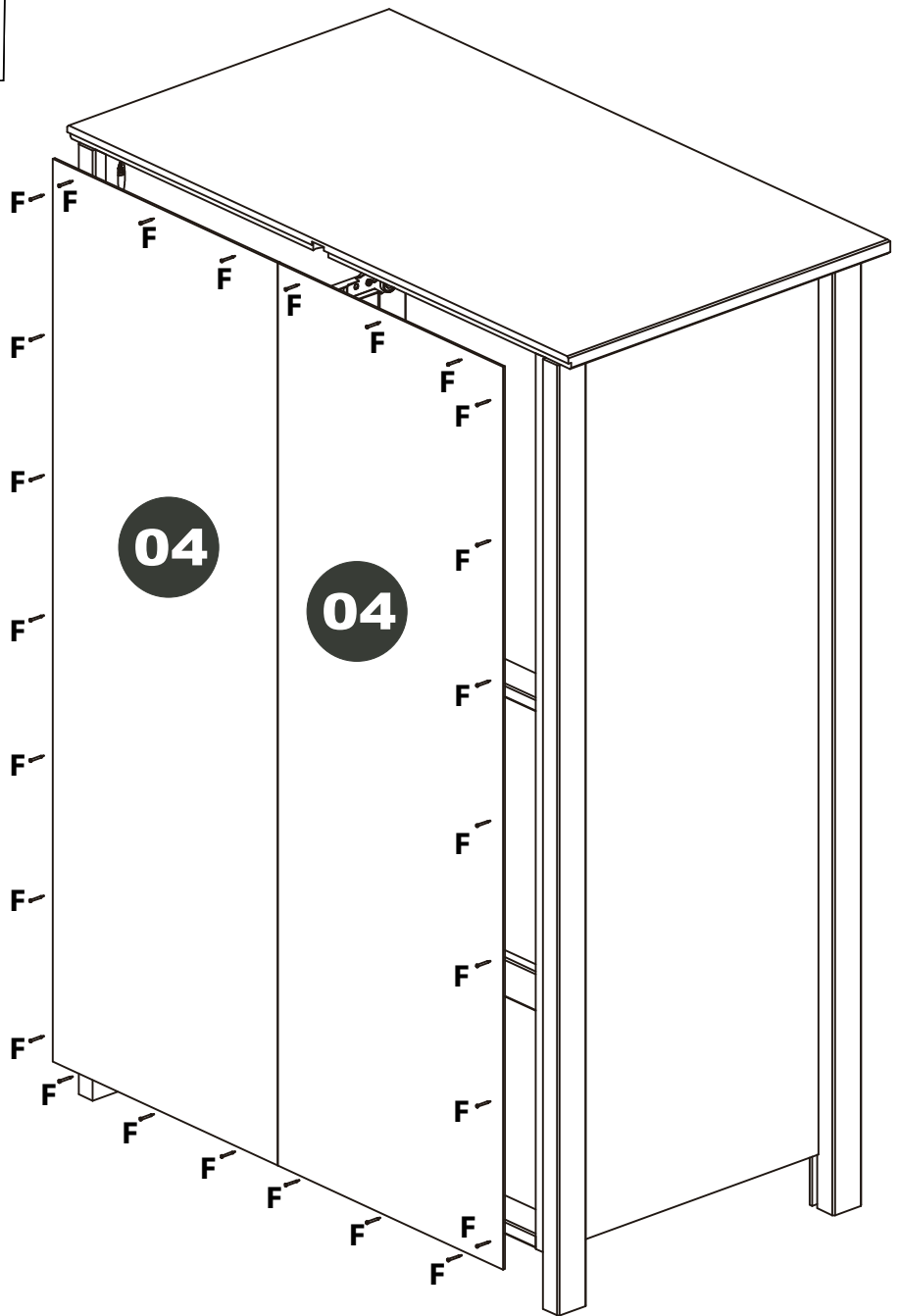
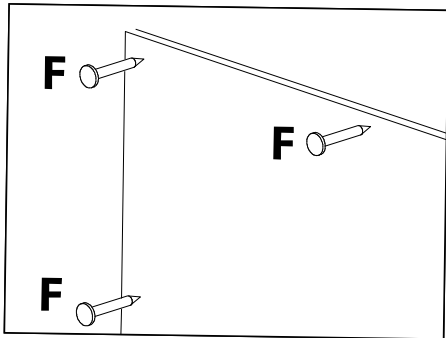


4,0 x 40mm

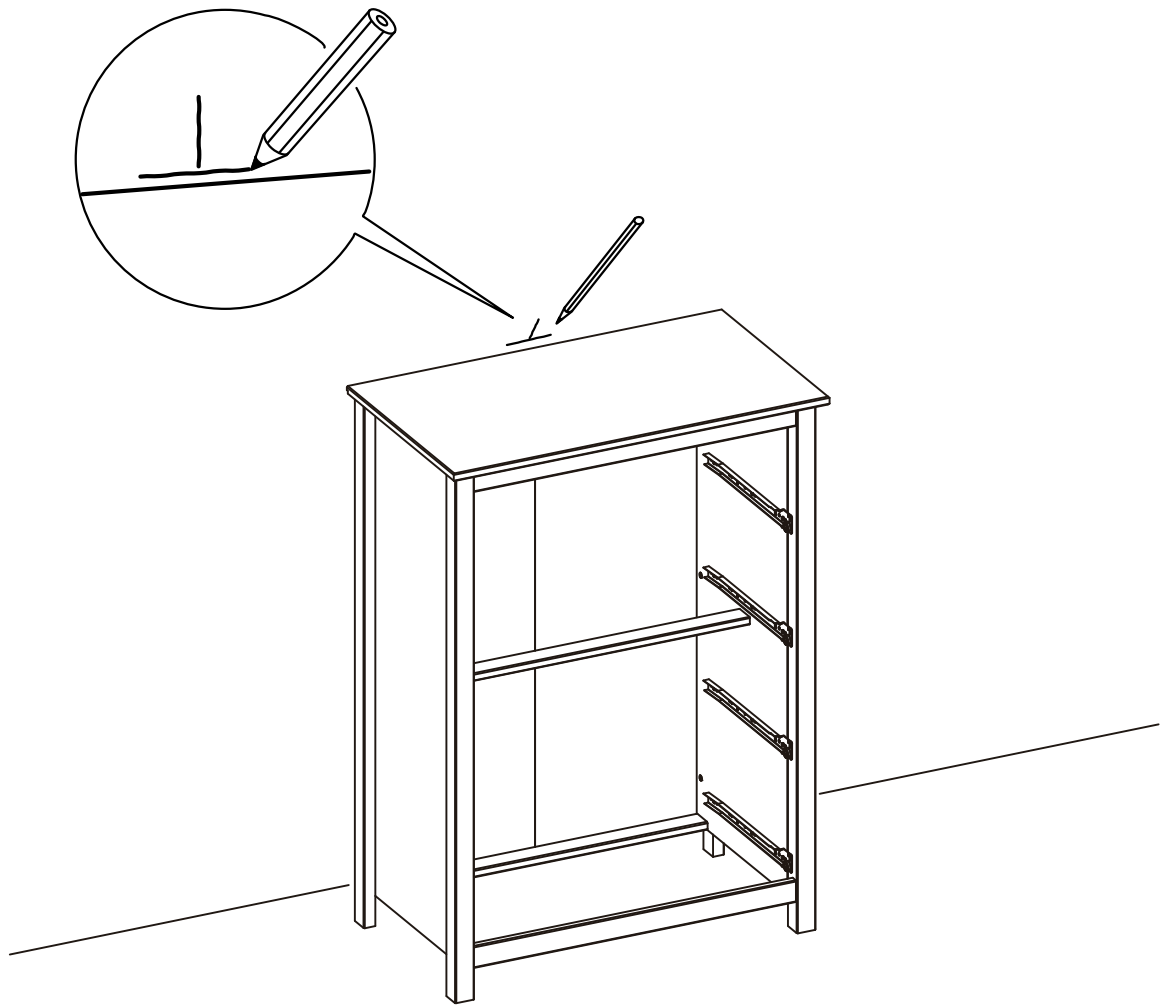
I=08






8

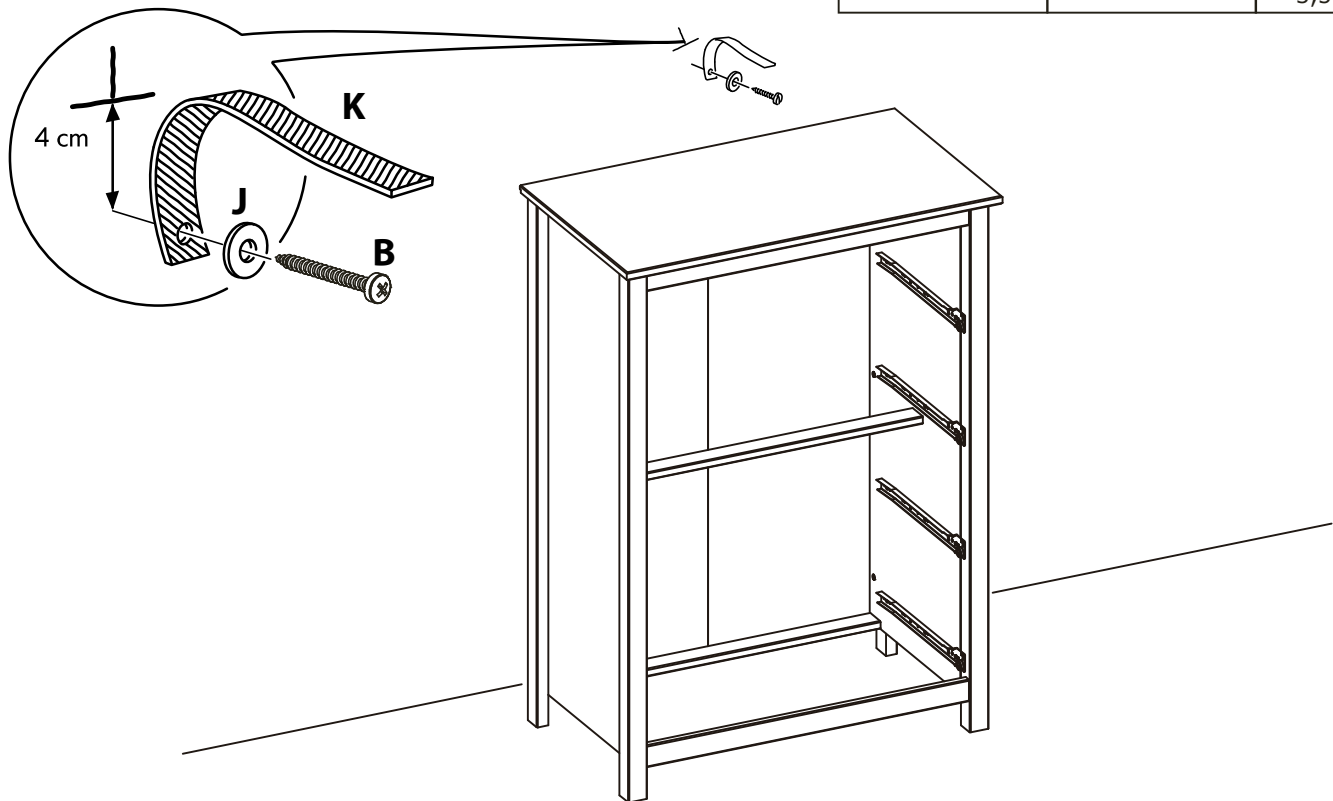


9

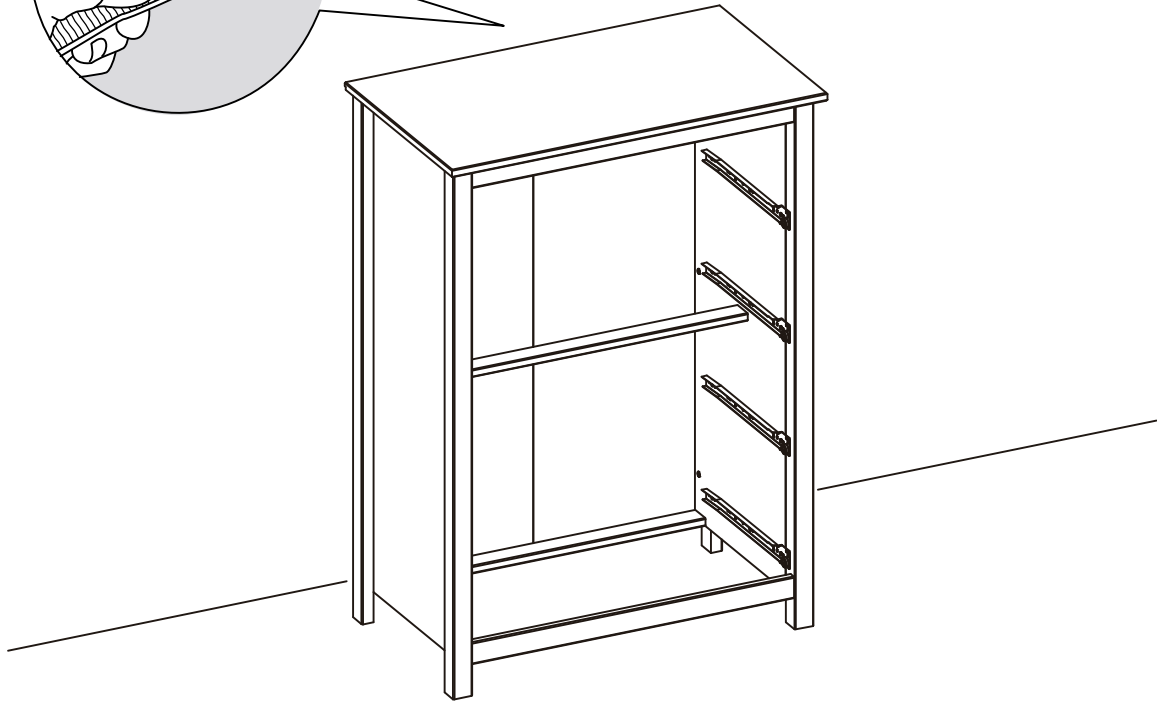
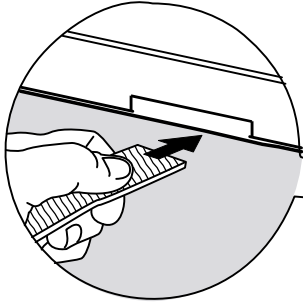


10

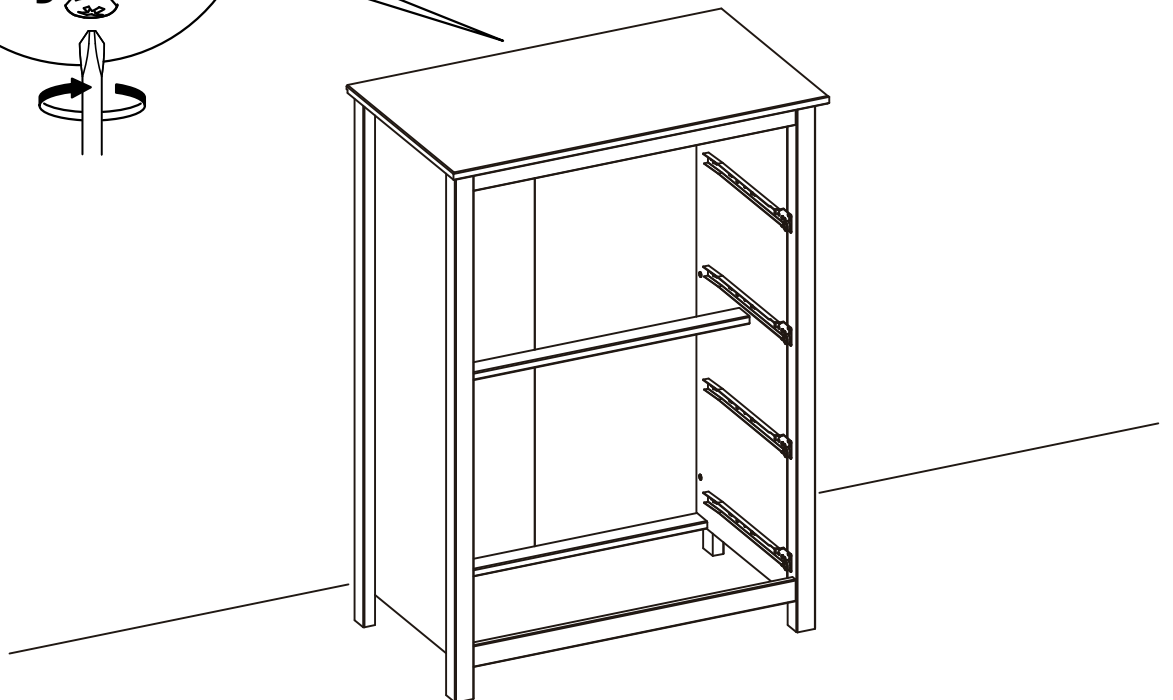
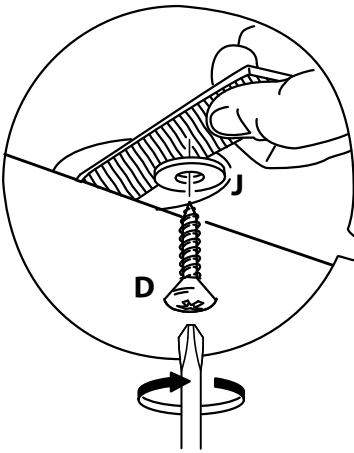
K=01 	J=01 	B=01  3,5 x 30mm
---	--	--



11



12



J=01



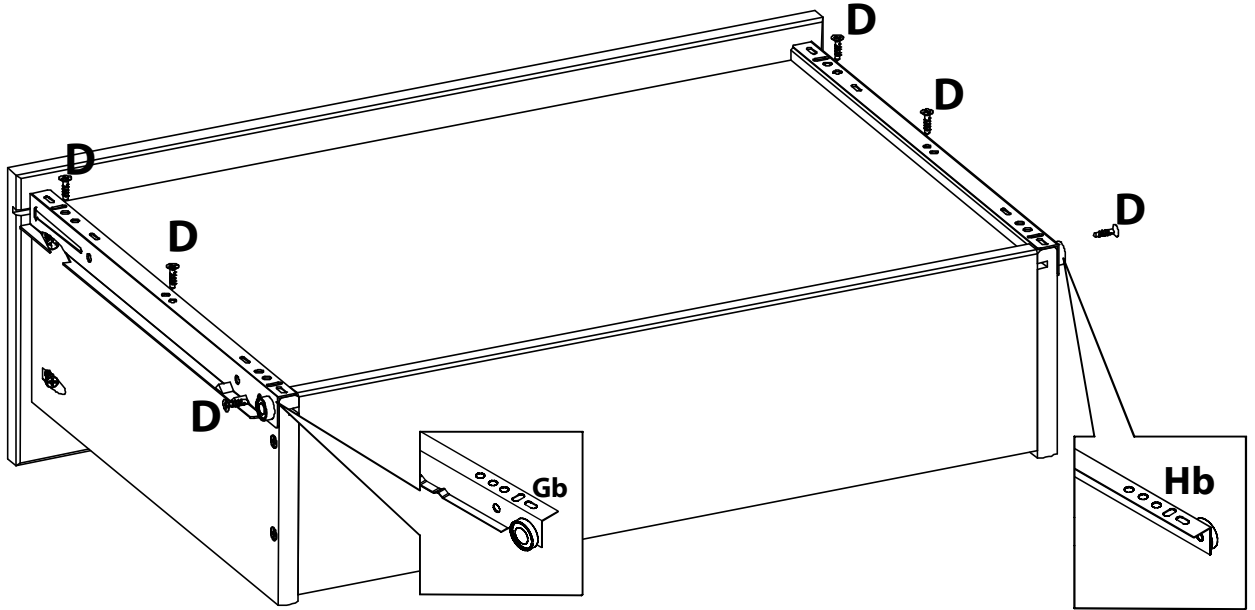
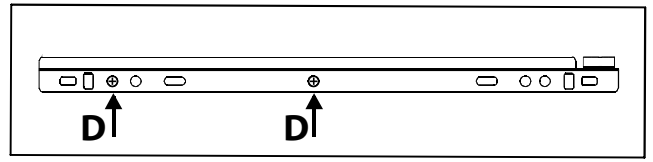
D=01


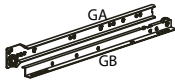
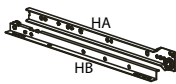


3,0x 16mm

13

4X



D=24  3,0x 16mm	G=04 	H=04 
---	---	---

14

