

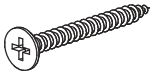
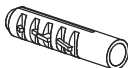

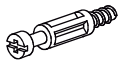

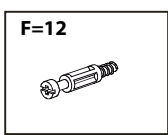
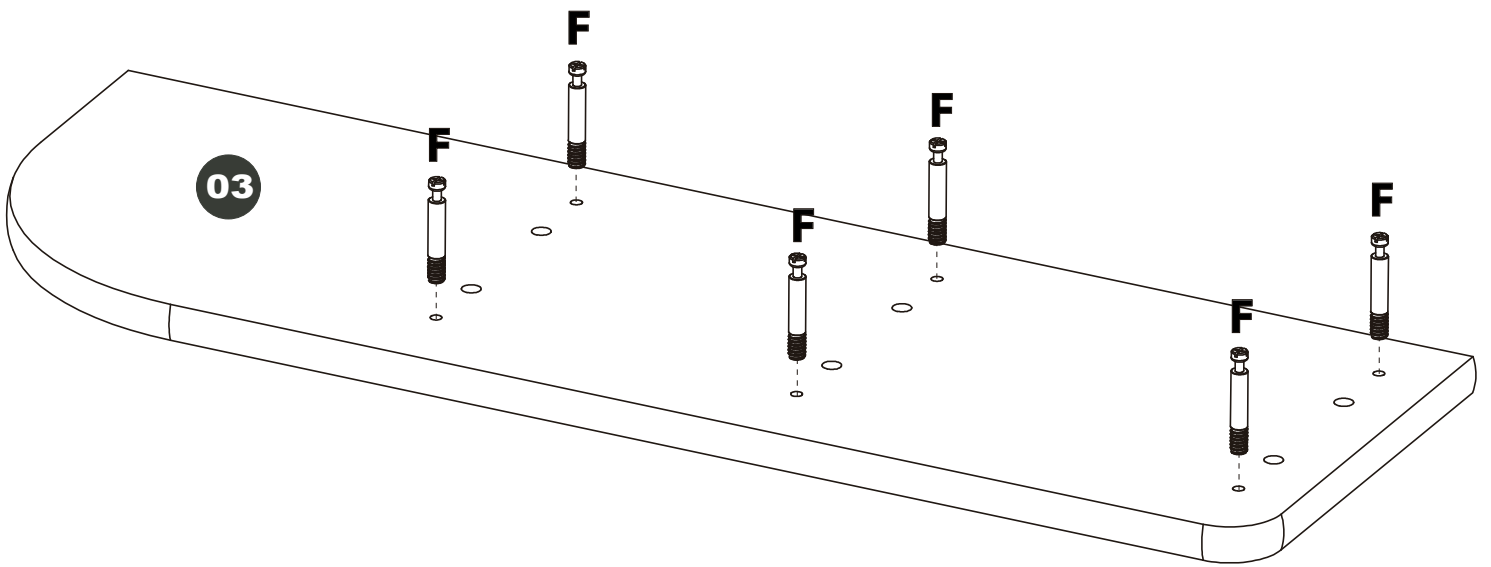
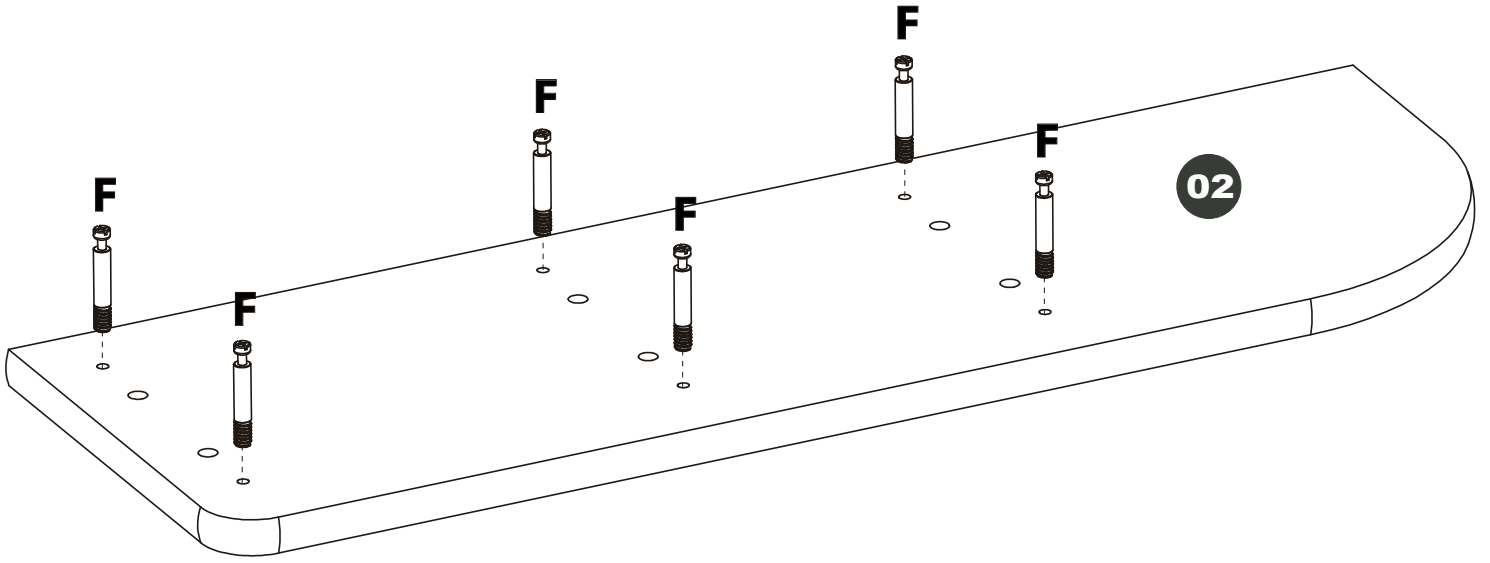
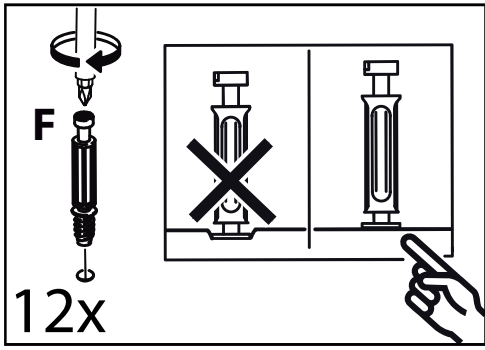
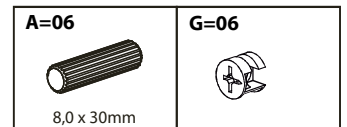
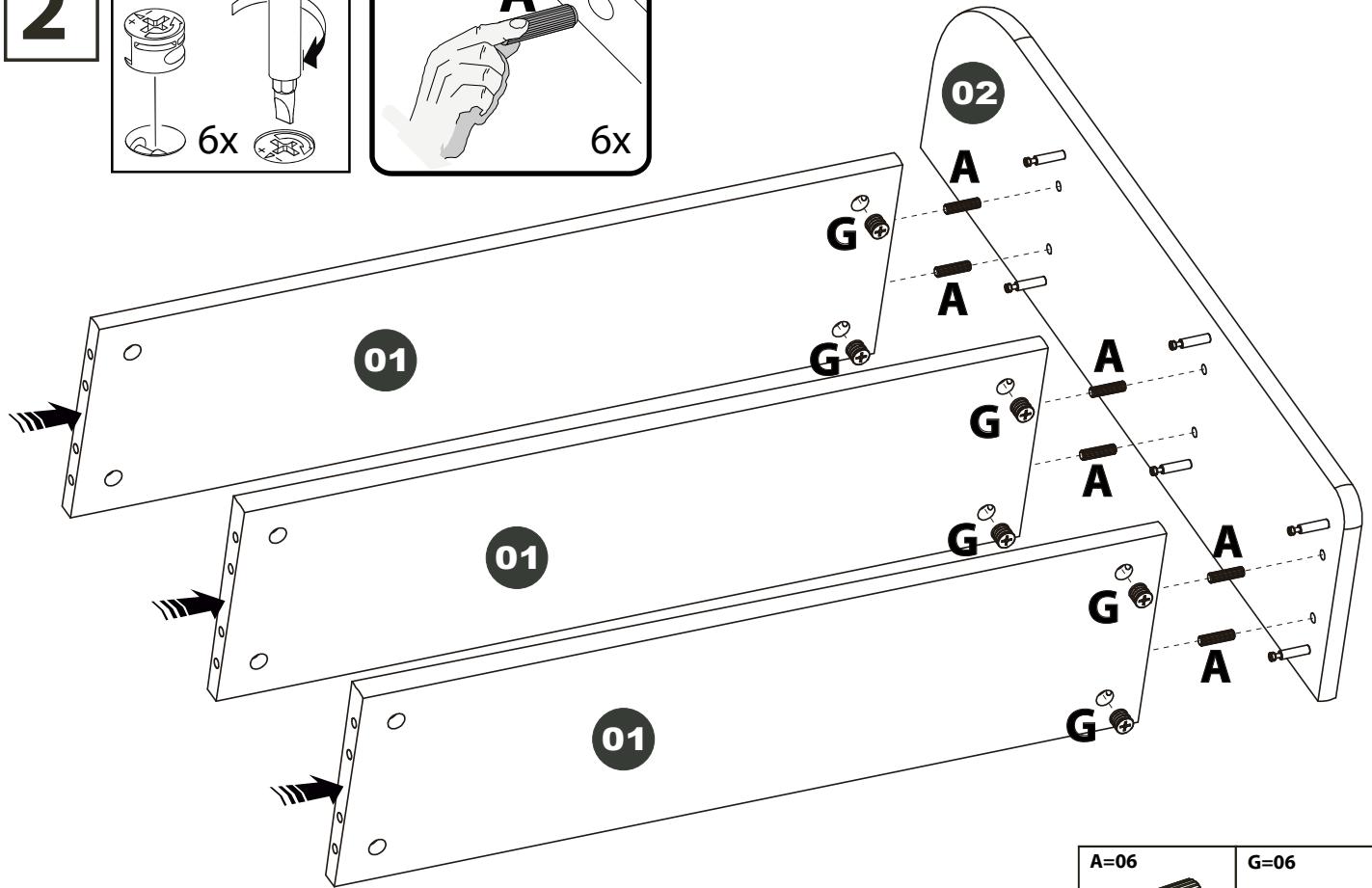
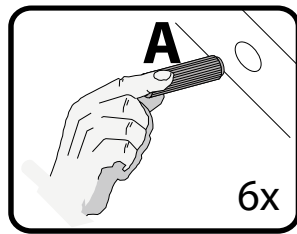
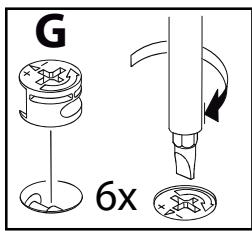


| | | | | |
|--|--|--|---|--|
| <p>A=12</p>  <p>8,0 x 30mm</p> | <p>B=04</p>  <p>4,0 x 16mm</p> | <p>C=02</p>  <p>4,0 x 30mm</p> | <p>D=02</p>  <p>6,0 mm</p> | <p>E=02</p>  |
| <p>F=12</p>  | <p>G=12</p>  | | | |

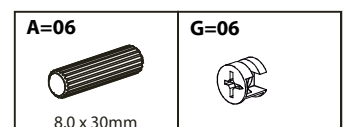
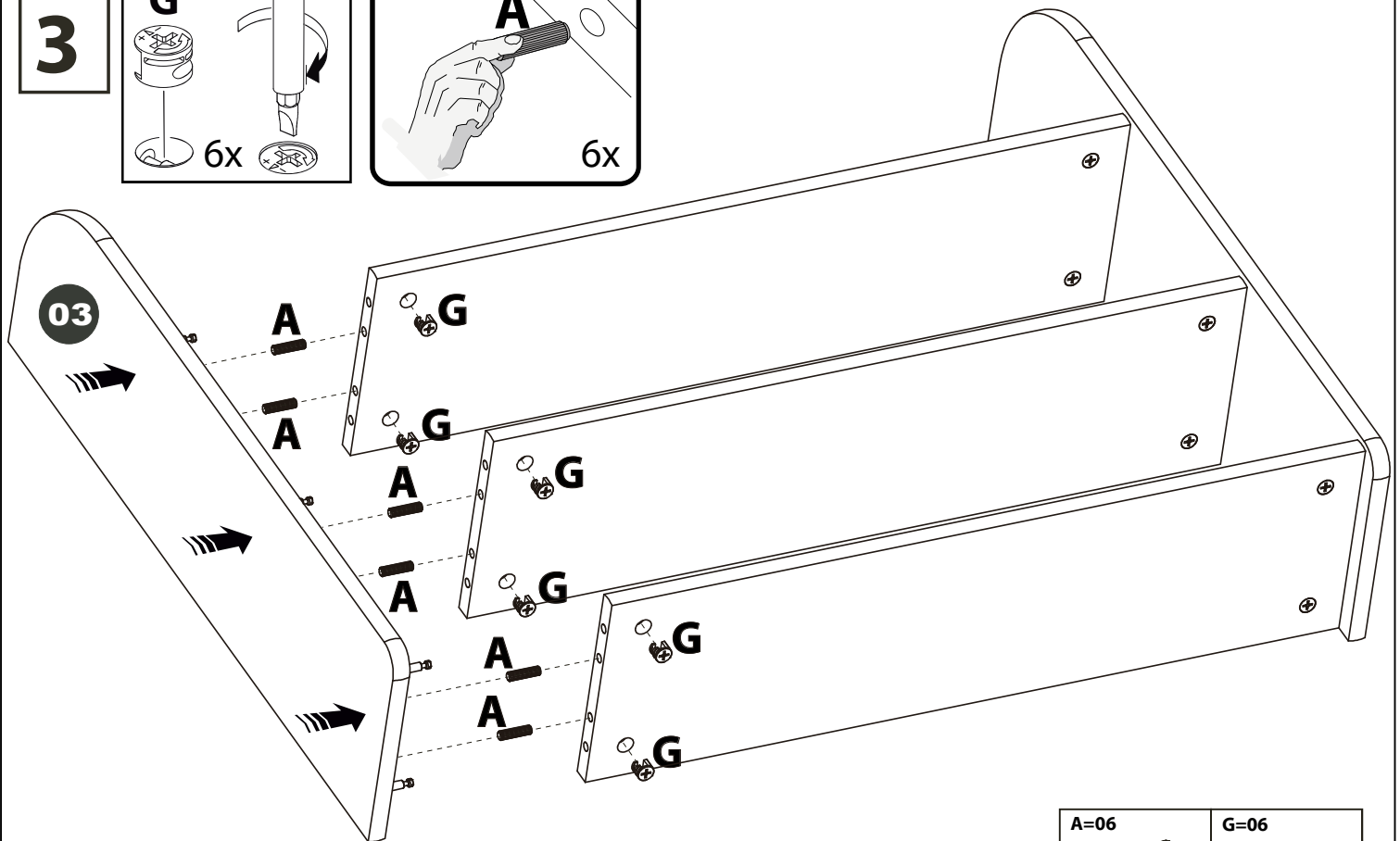
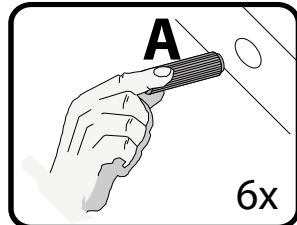
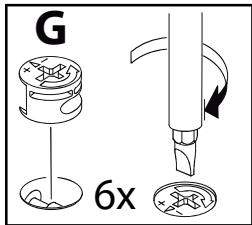
1



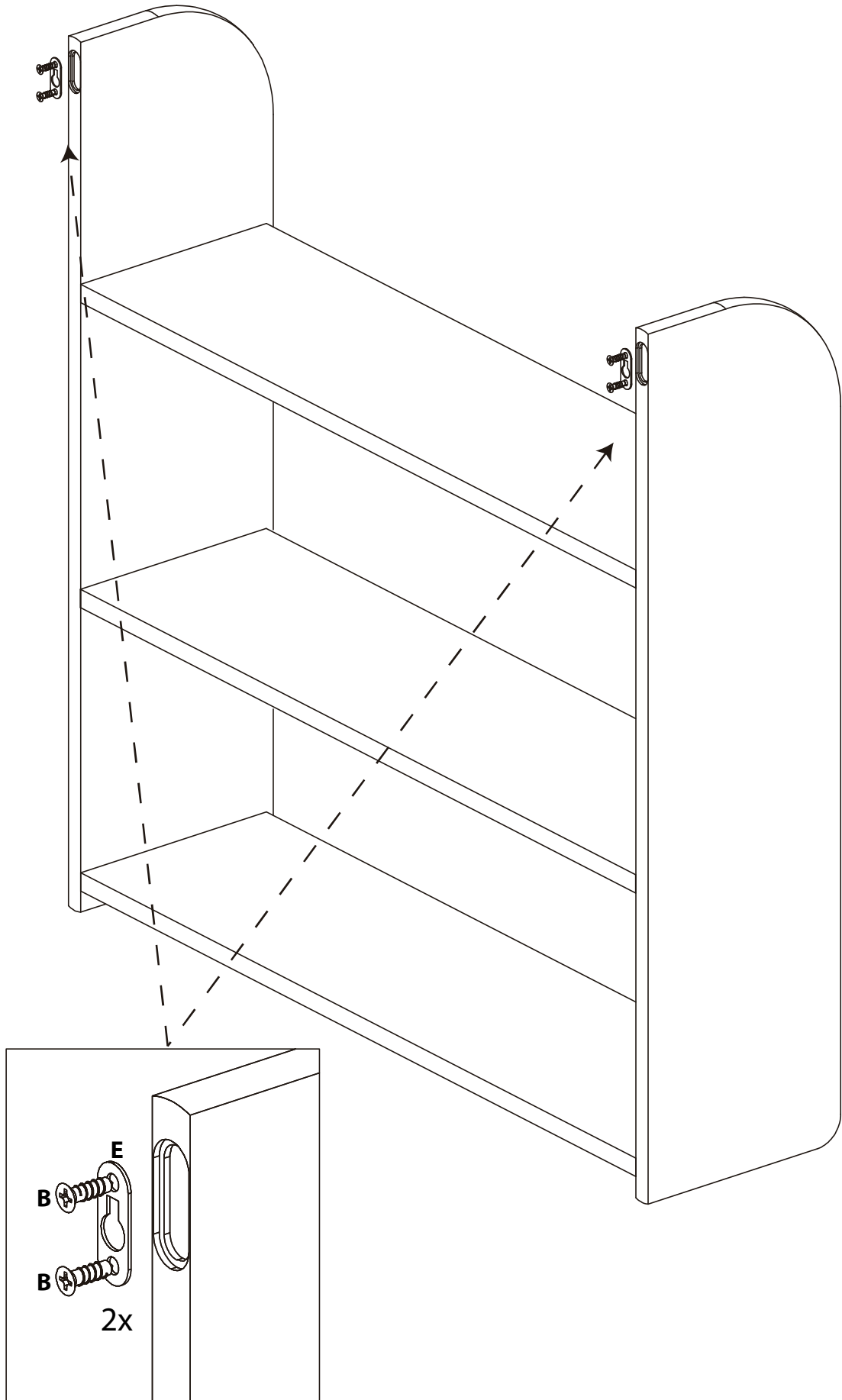
2





3

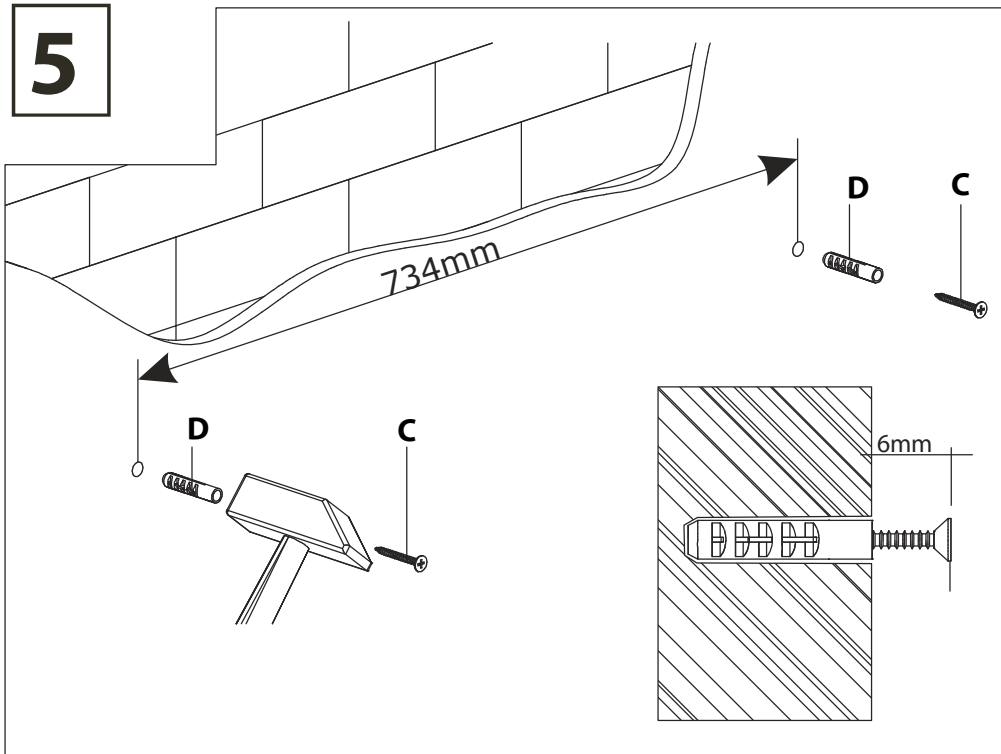




4

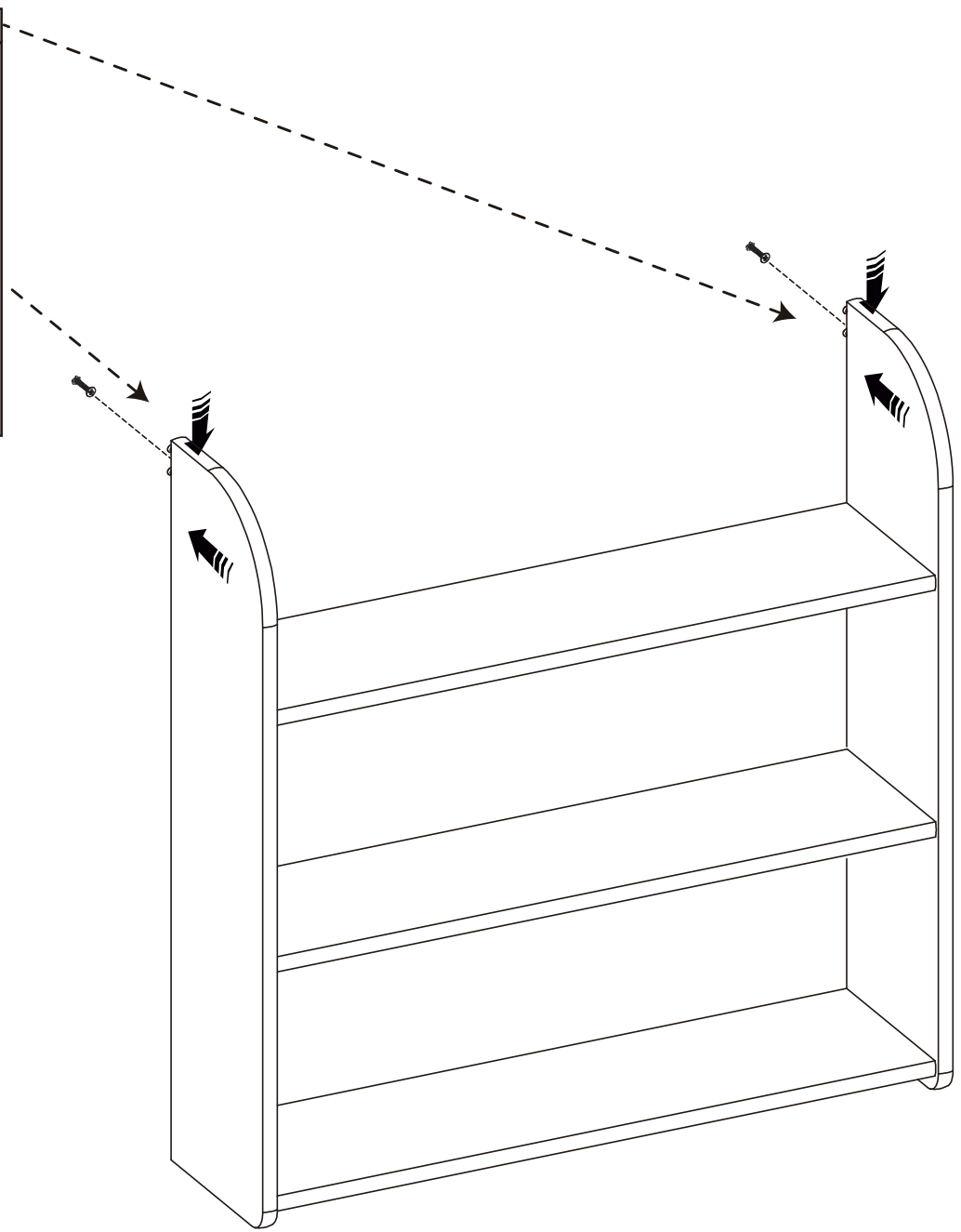
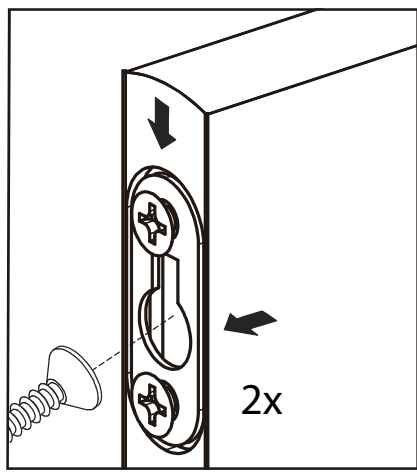


| | |
|--|--|
| B=04  4,0 x 16mm | E=02  |
|--|--|

5



| | |
|---|---|
| C=02  4,0 x 30mm | D=02  6,0 mm |
|---|---|



26.01.2021 - Rev. 2