




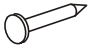
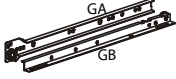
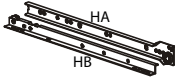








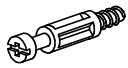
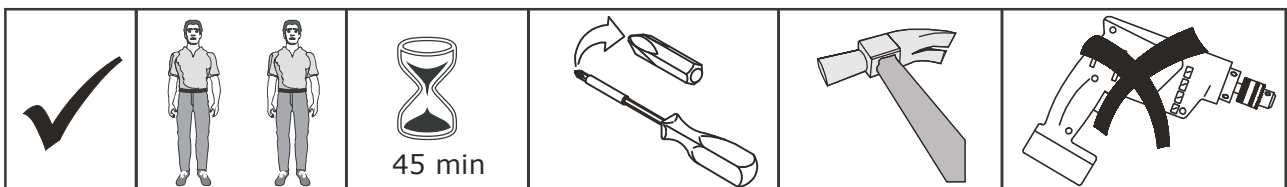
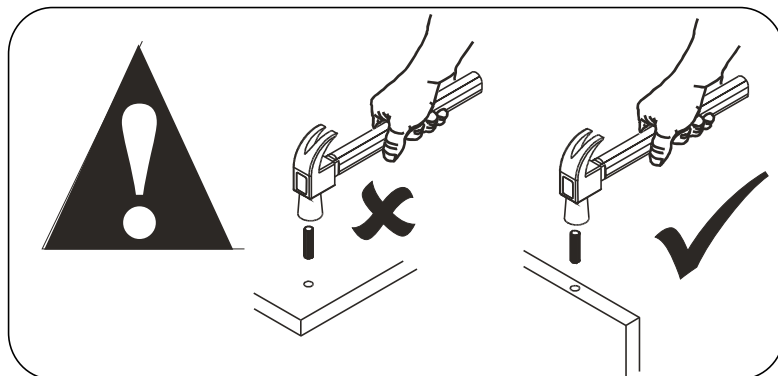
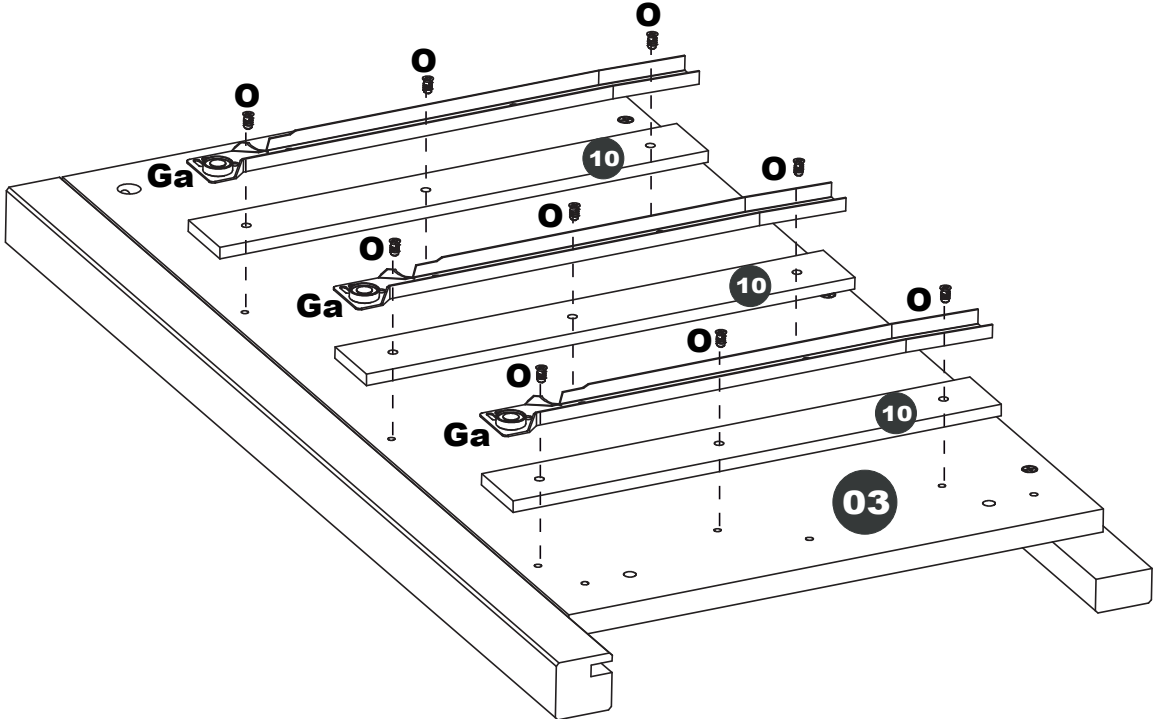
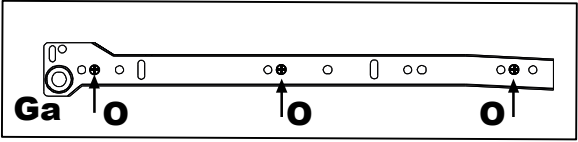


**6x**

<b>A=40</b>  8,0 x 30mm	<b>B=48</b>  3,5 x 30mm	<b>C=09</b>  4,0 x 40mm	<b>D=42</b>  3,0x 16mm	<b>E=18</b>  6,0x 10mm
<b>F=26</b> 	<b>G=06</b>  350mm	<b>H=06</b>  350mm	<b>I=06</b> 	<b>J=04</b> 
<b>K=02</b> 	<b>L=03</b>  4,0 x 40mm	<b>M=03</b> 	<b>N=02</b> 	<b>O=18</b>  6,0x 20mm
<b>P=14</b> 	<b>Q=14</b> 			



**1**



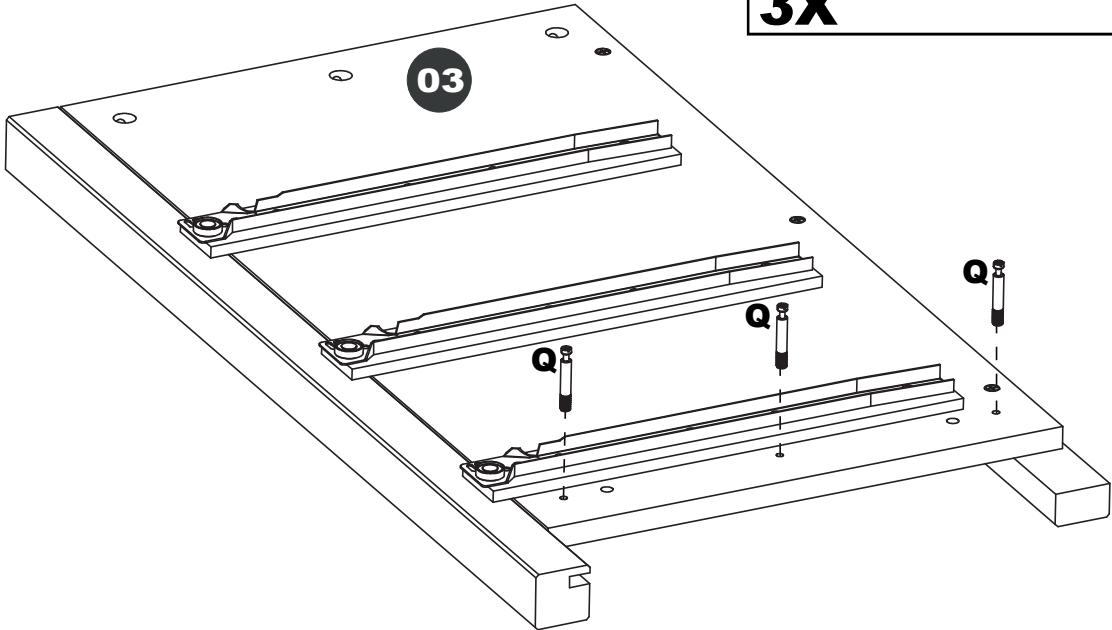
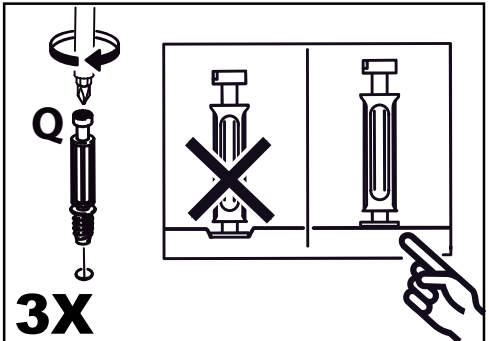
**G=03**

**O=09**

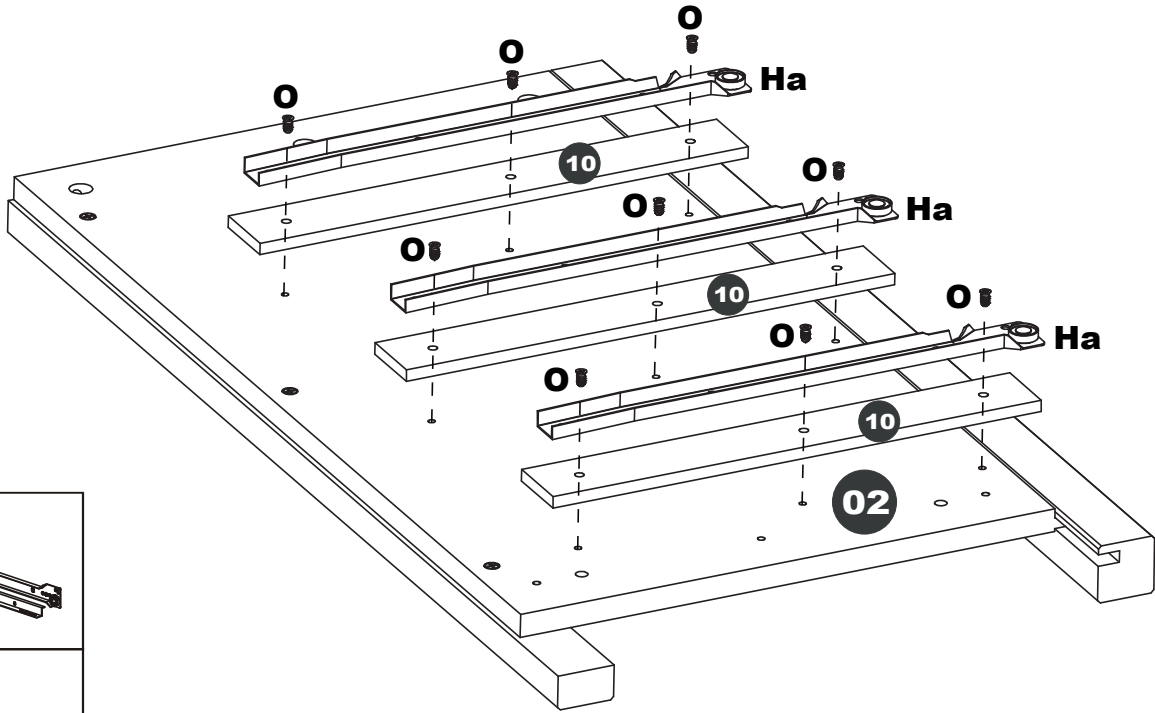
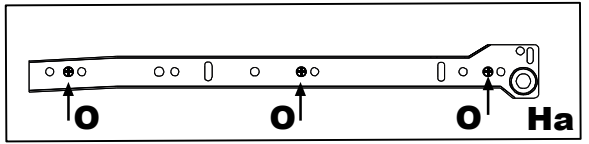
6,0x 20mm

**2**

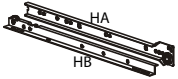
**Q=03**



**3**



**H=03**



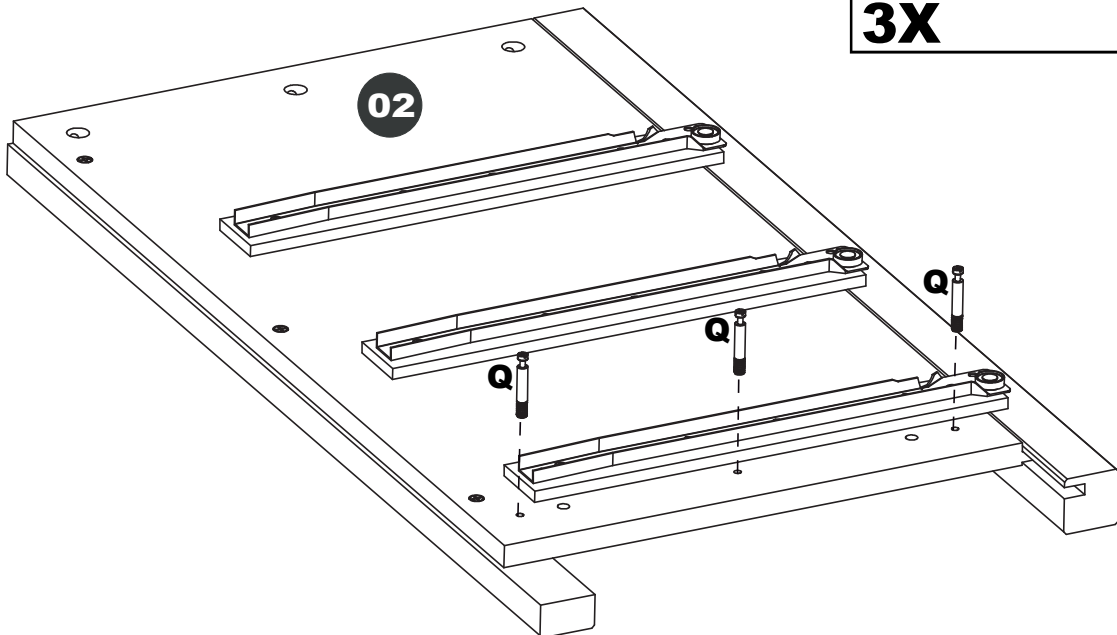
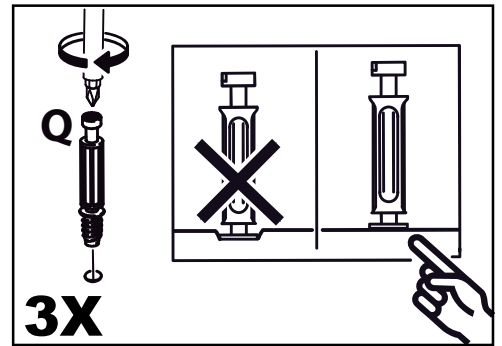
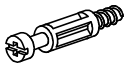
**O=09**



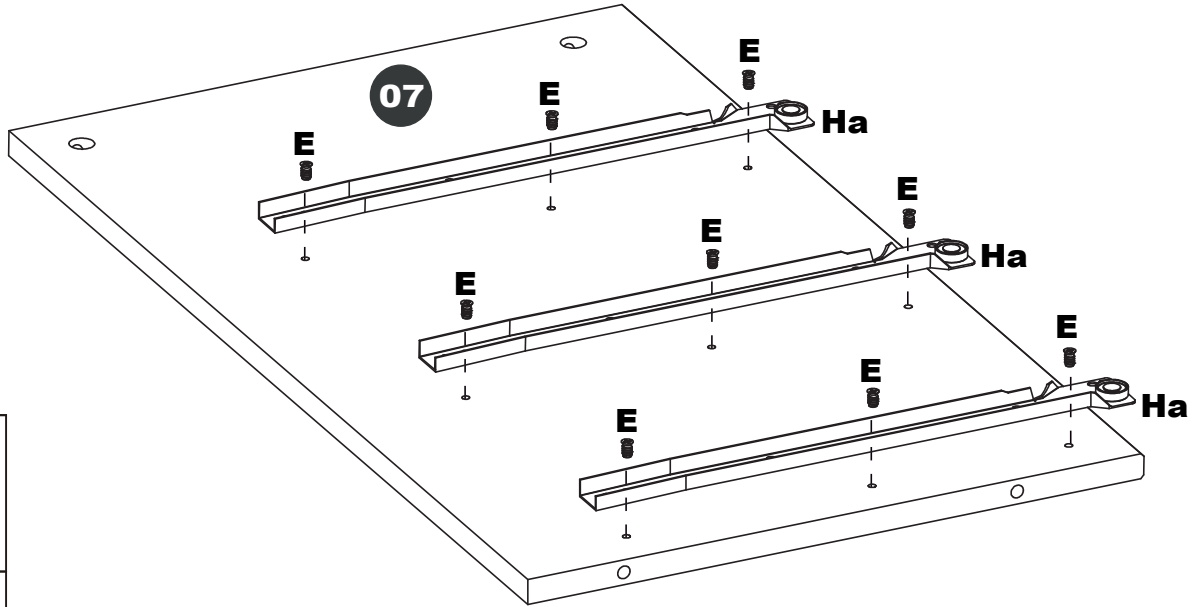
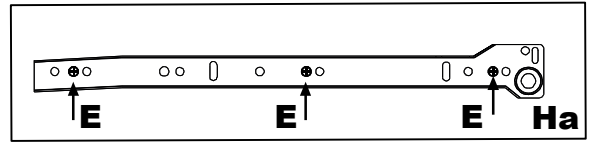
6,0x 20mm

**4**

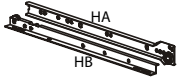
**Q=03**



5



H=03

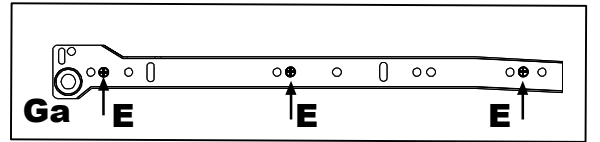


E=09

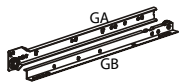


6,0x 10mm

6



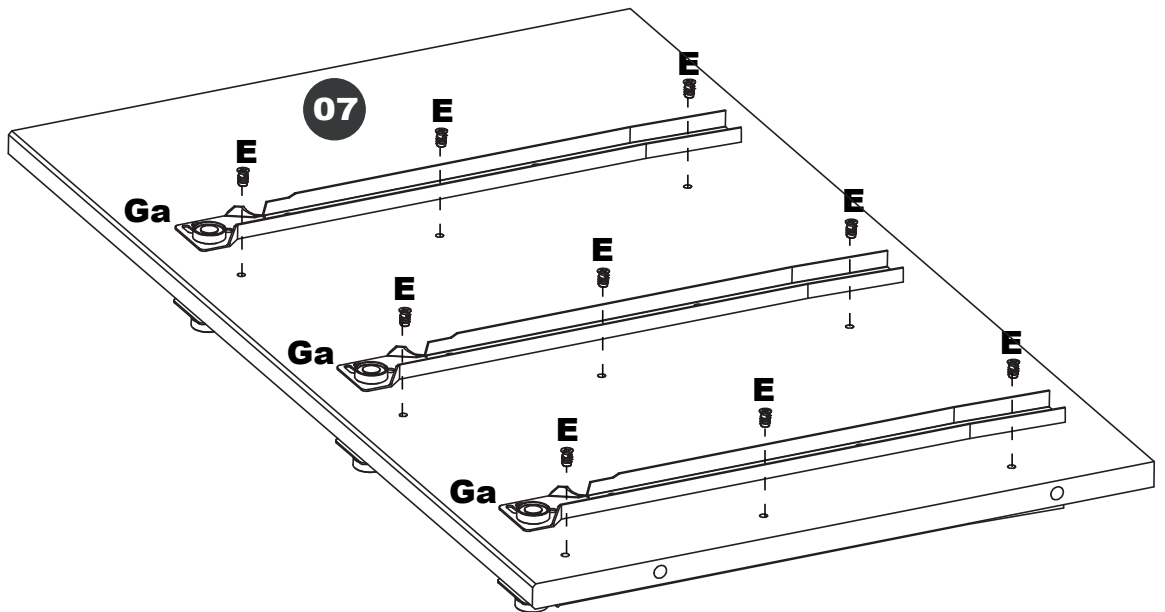
G=03



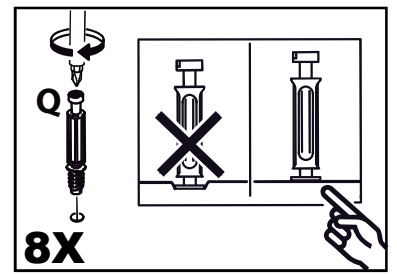
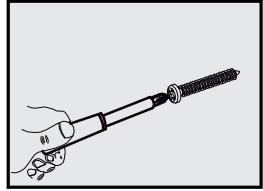
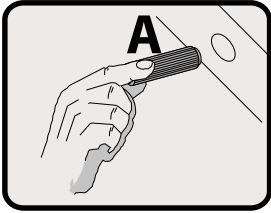
E=09



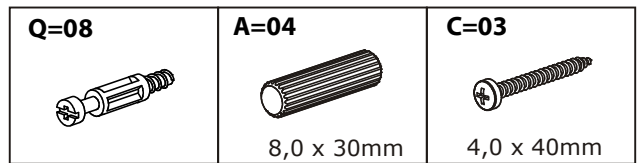
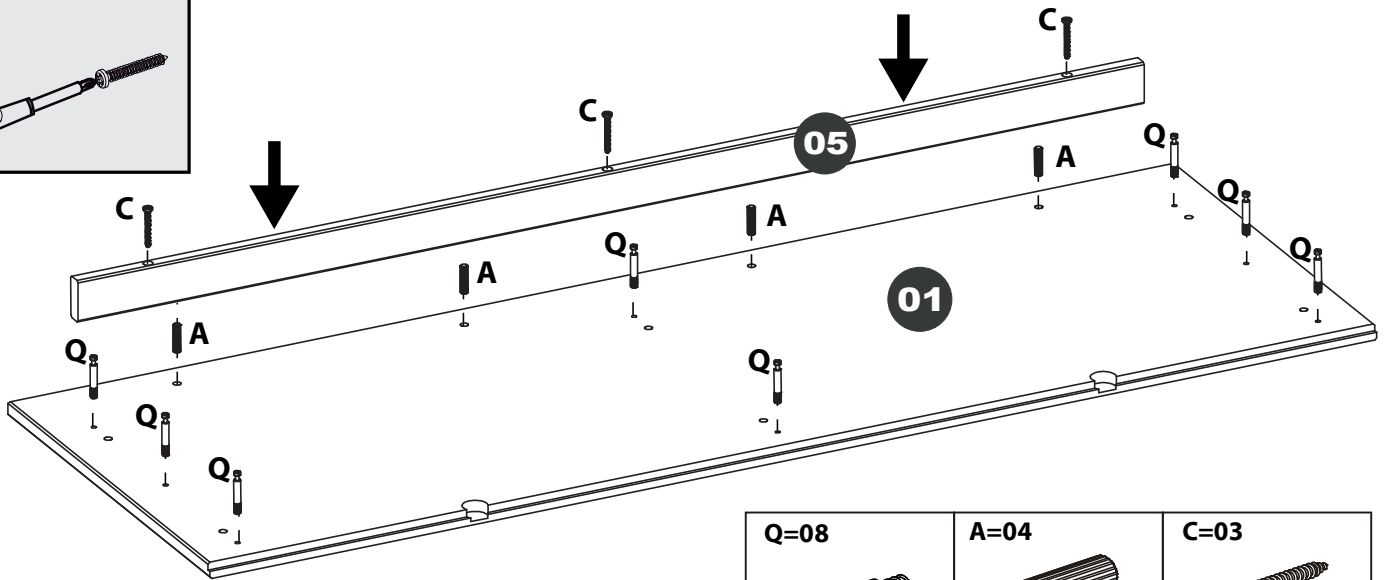
6,0x 10mm



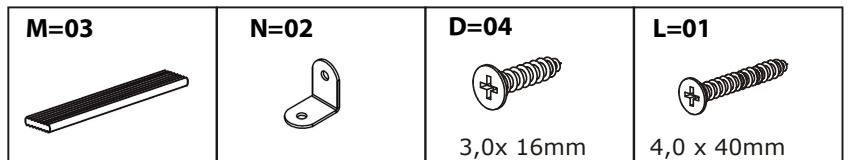
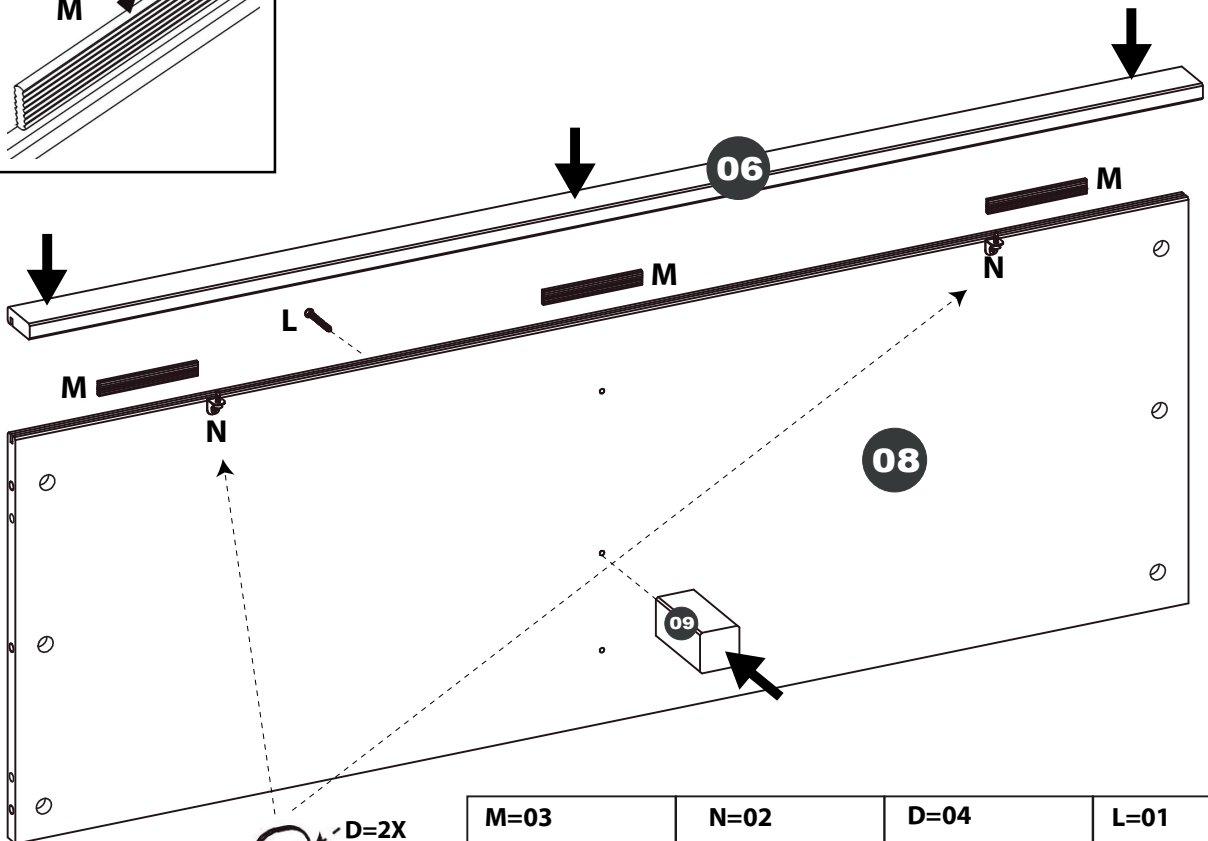
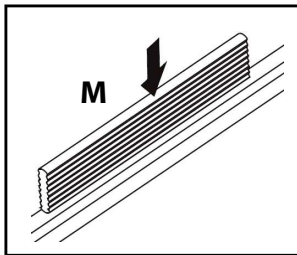
7



8X

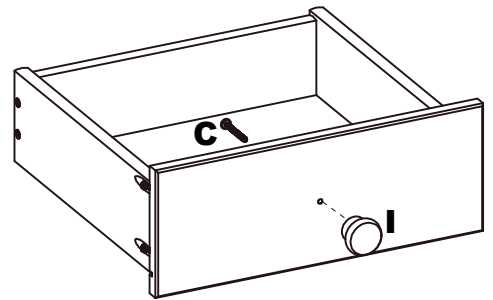
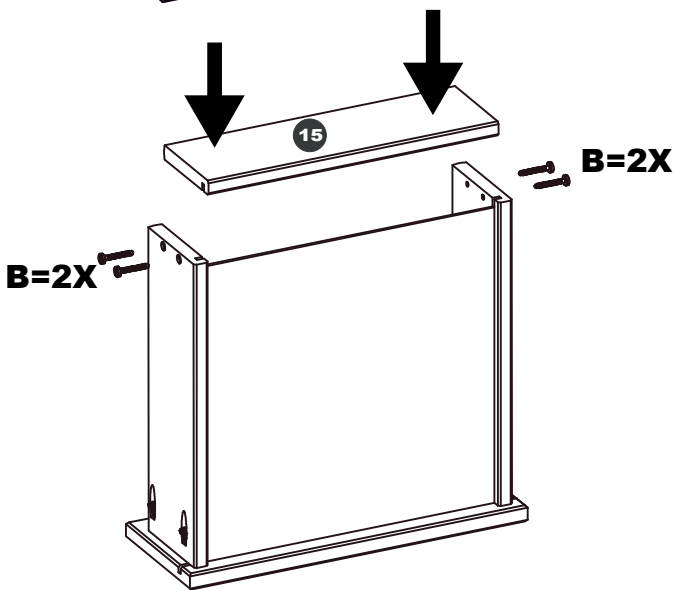
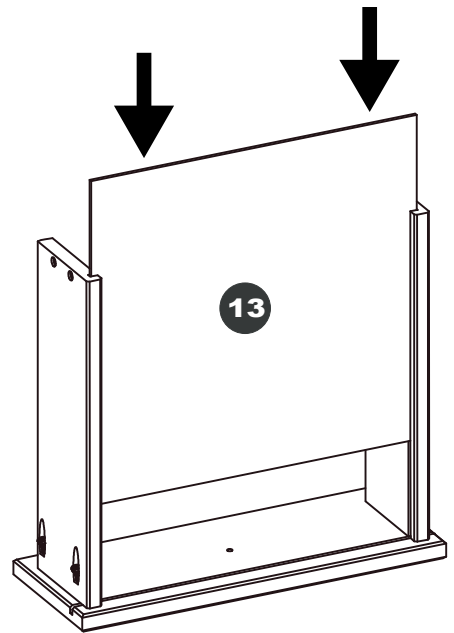
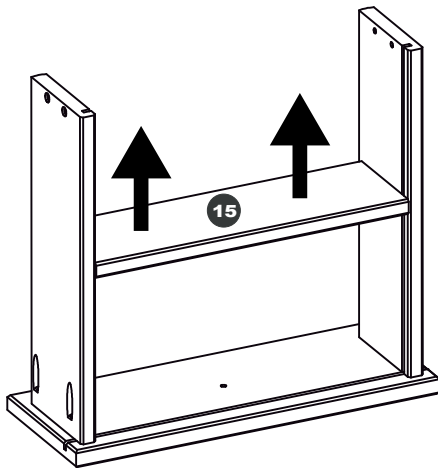
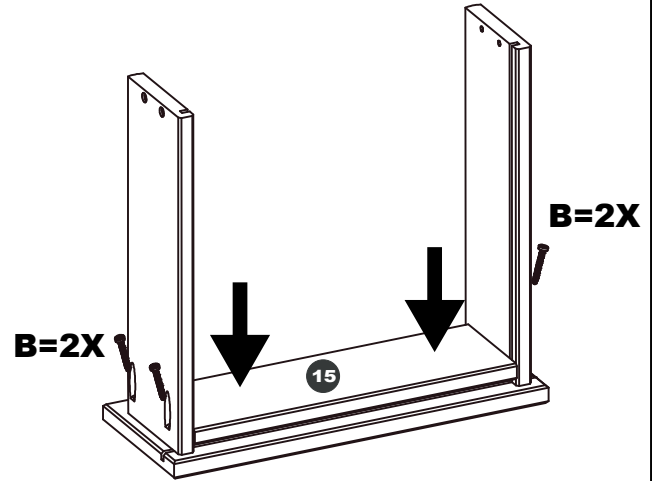
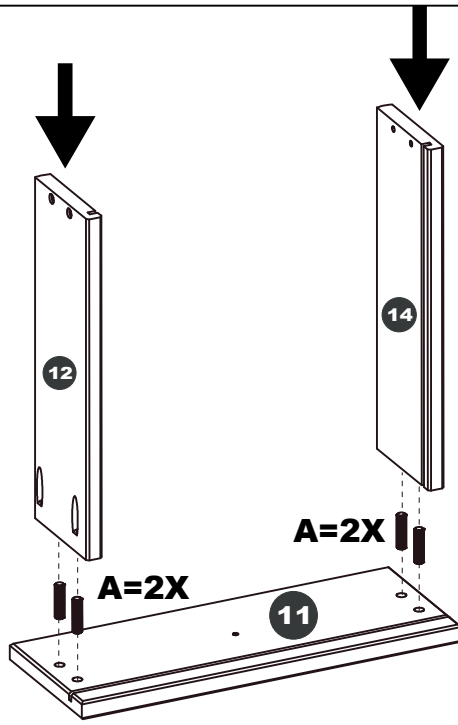
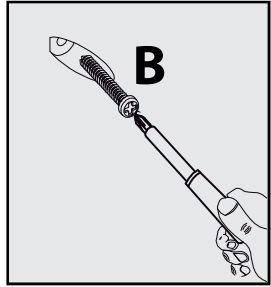
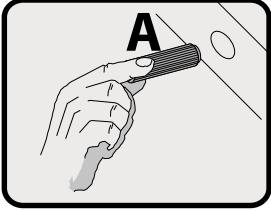


8



9

6X

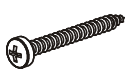


A=24



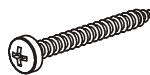
8,0 x 30mm

B=48



3,5 x 30mm

C=06

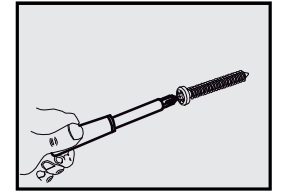
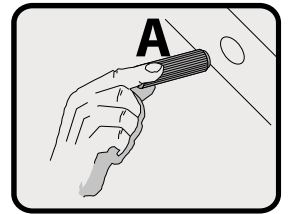
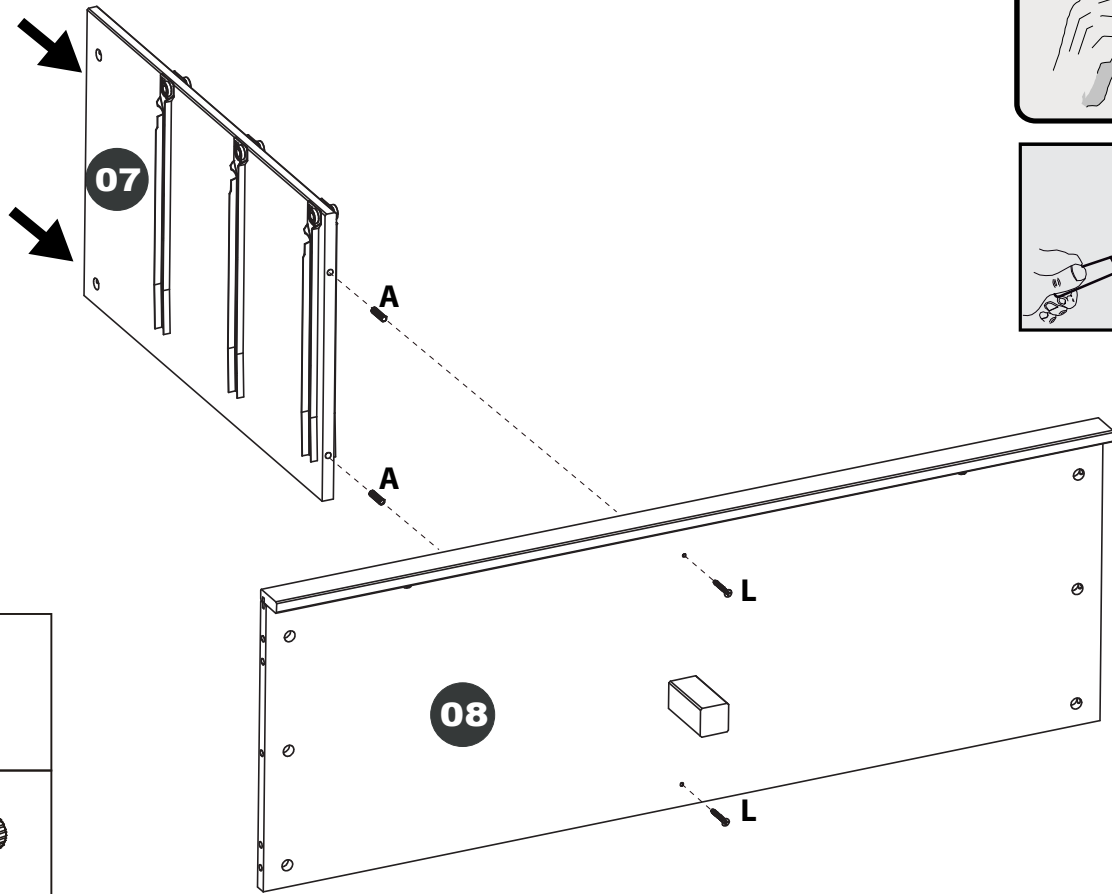




4,0 x 40mm

I=06

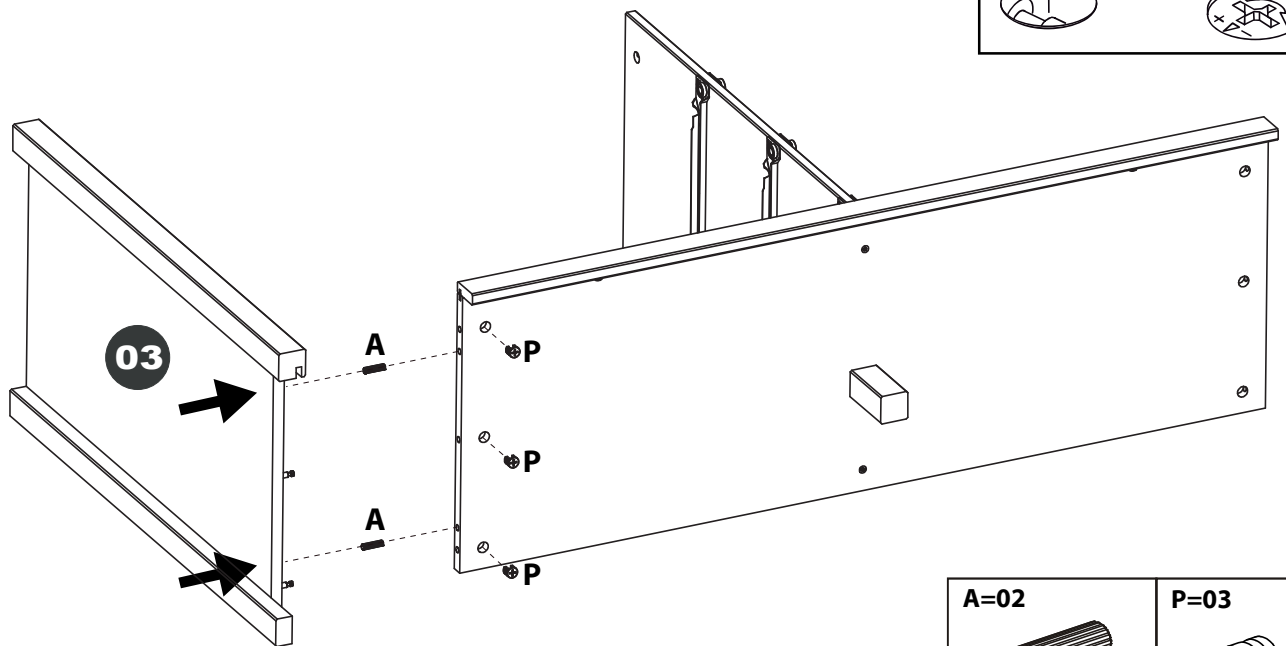
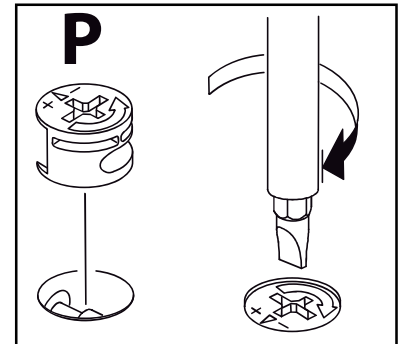
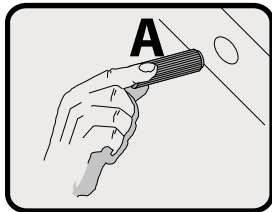




**10**



<b>L=02</b>

4,0 x 40mm
<b>A=02</b>

8,0 x 30mm

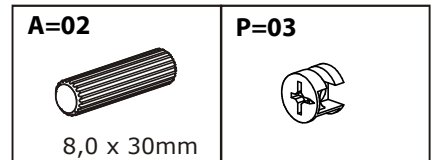
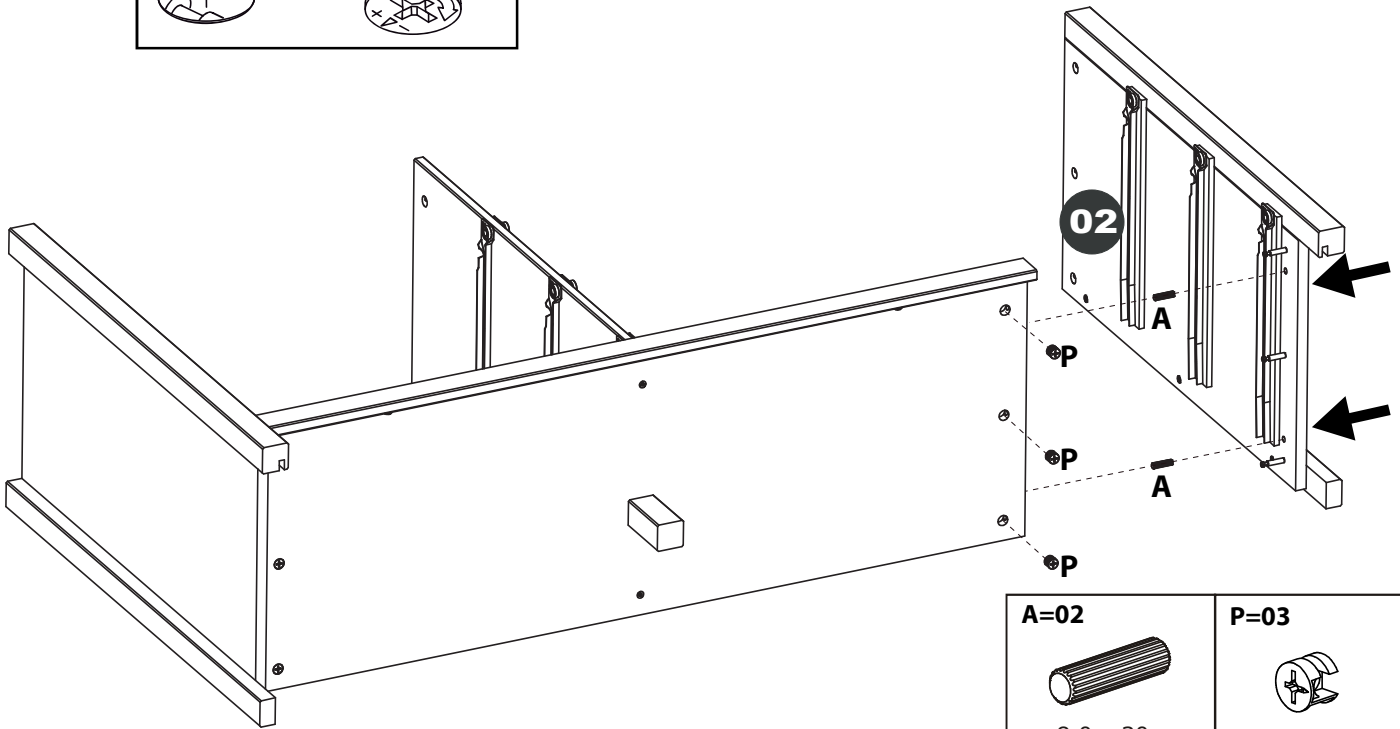
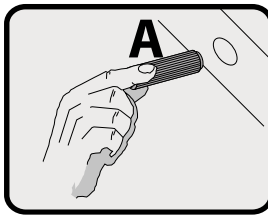
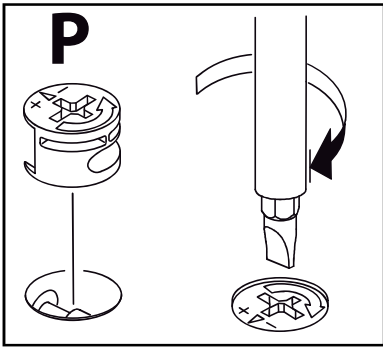
**11**



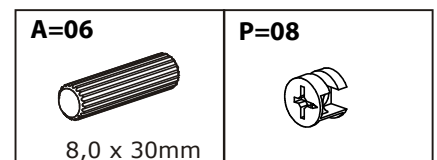
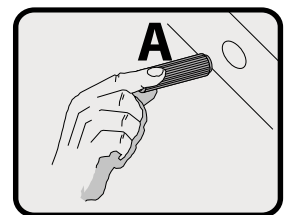
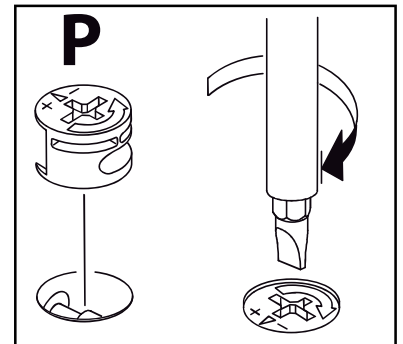
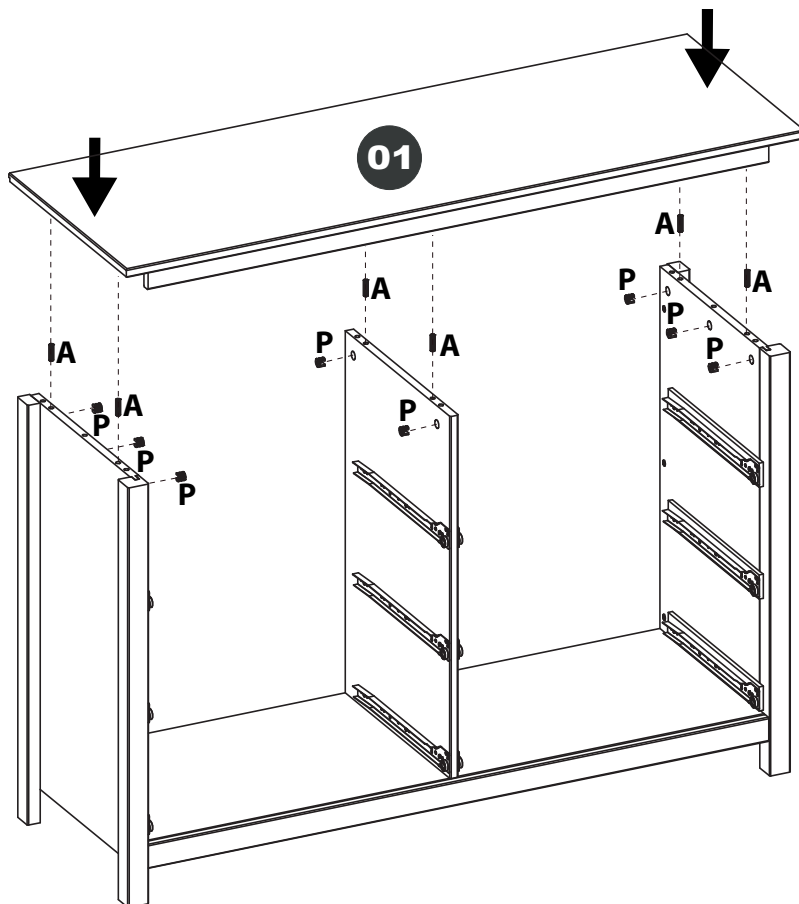
<b>A=02</b>	<b>P=03</b>
	
8,0 x 30mm	



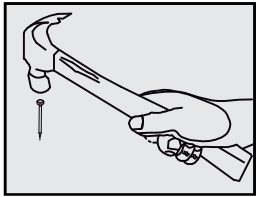
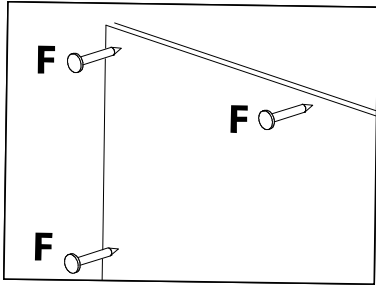
**12**



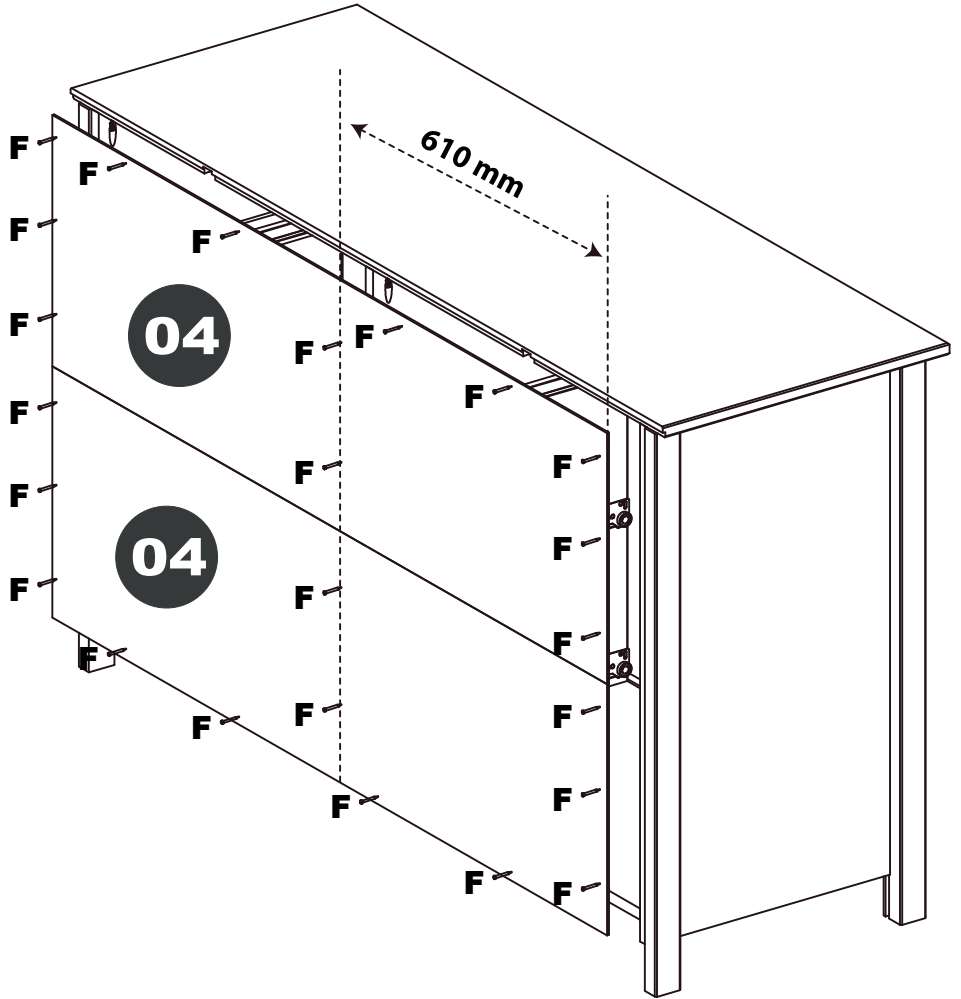
**13**



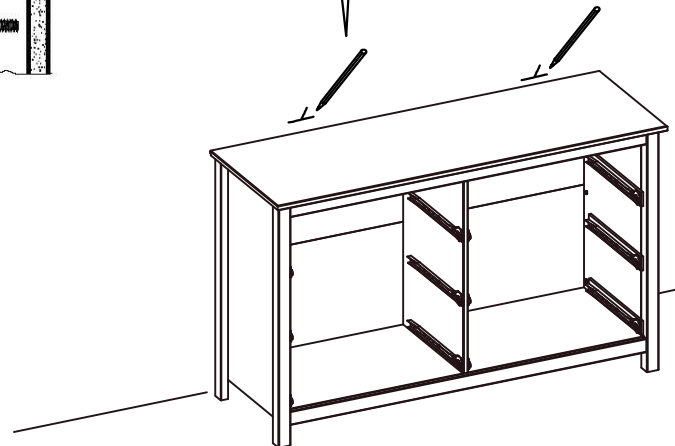
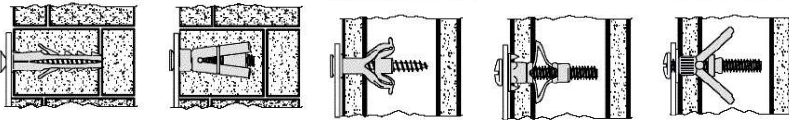
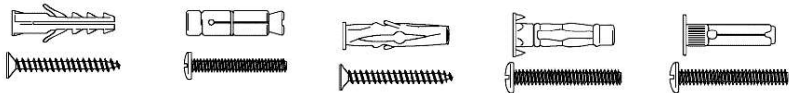
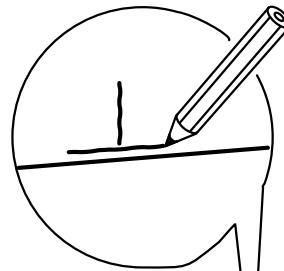
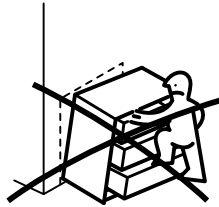
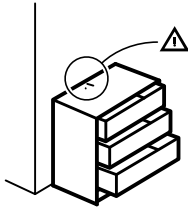
# 14



F=26



# 15

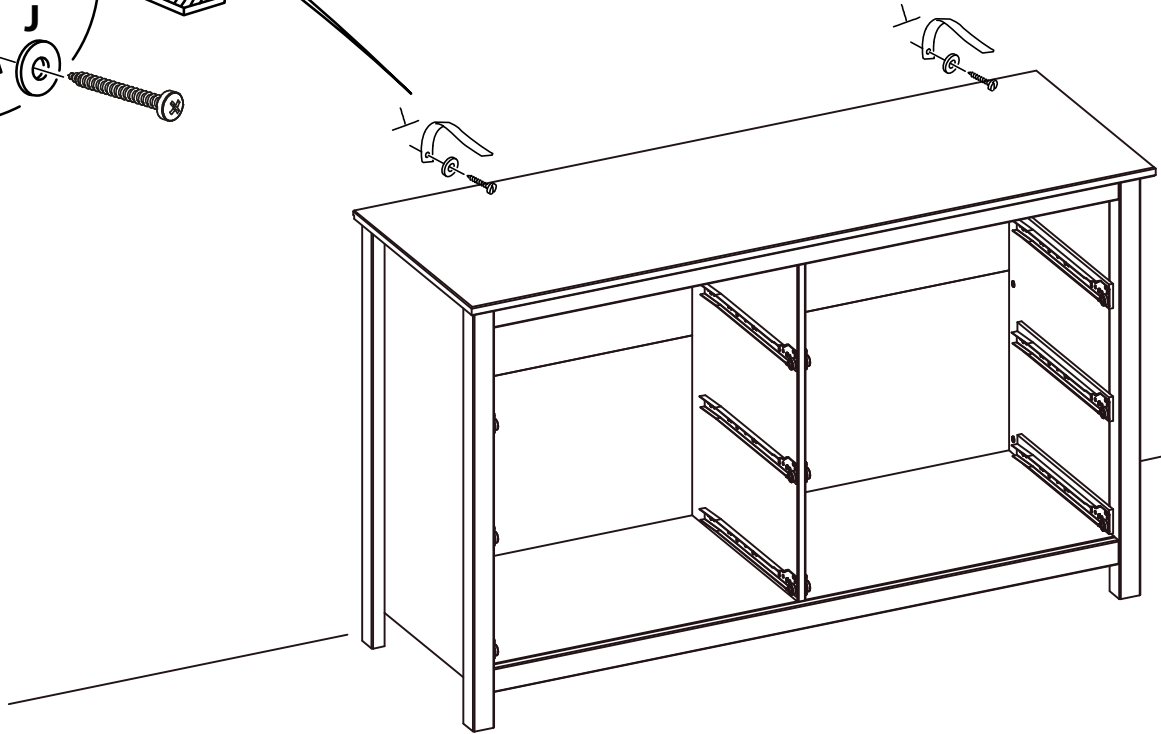
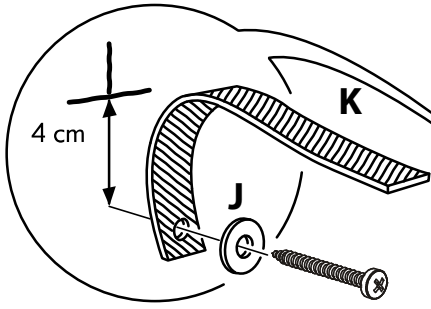


# 16

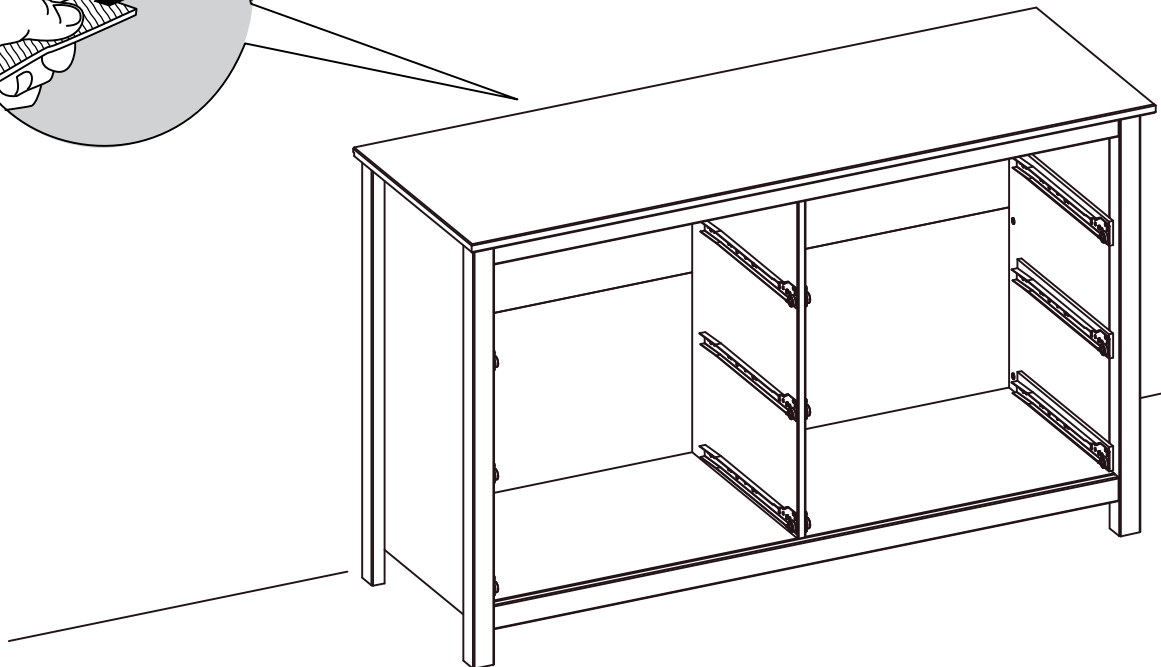
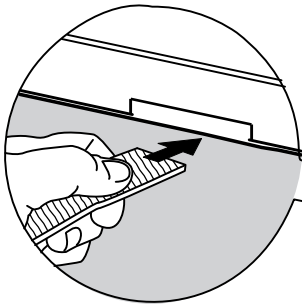
K=02



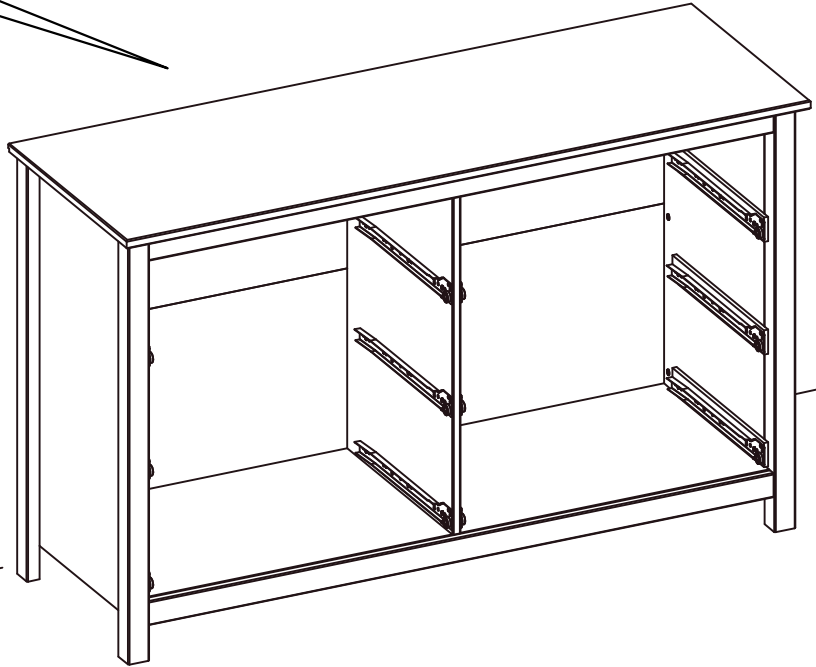
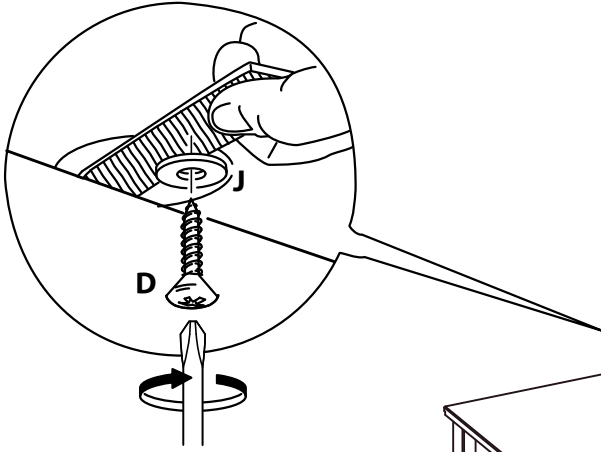
J=02



# 17



# 18



J=02



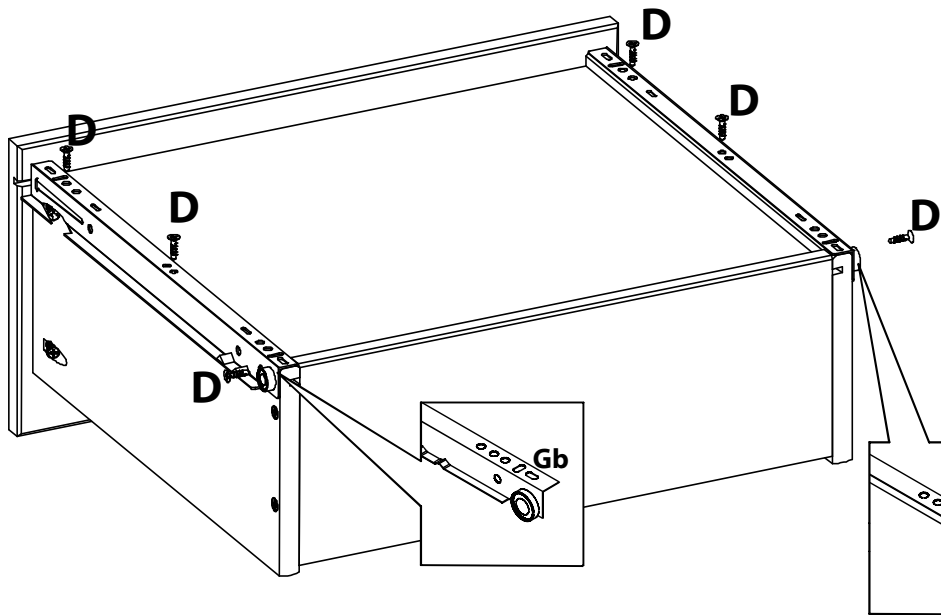
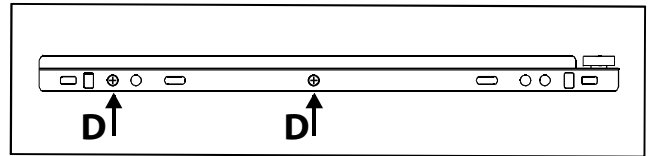
D=02



3,0x 16mm

# 19

# 6X

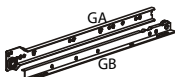


D=36

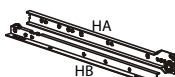


3,0x 16mm

G=06



H=06



20

