

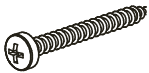



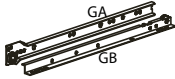
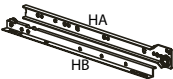






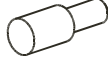


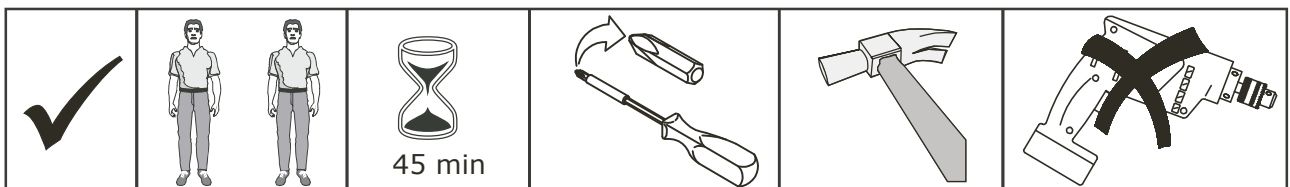
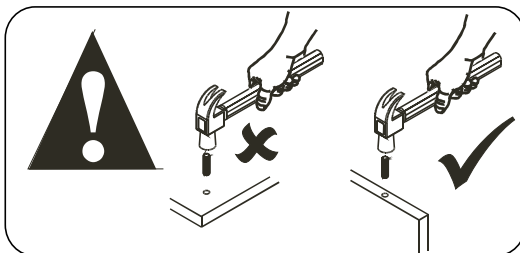
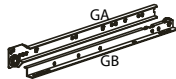




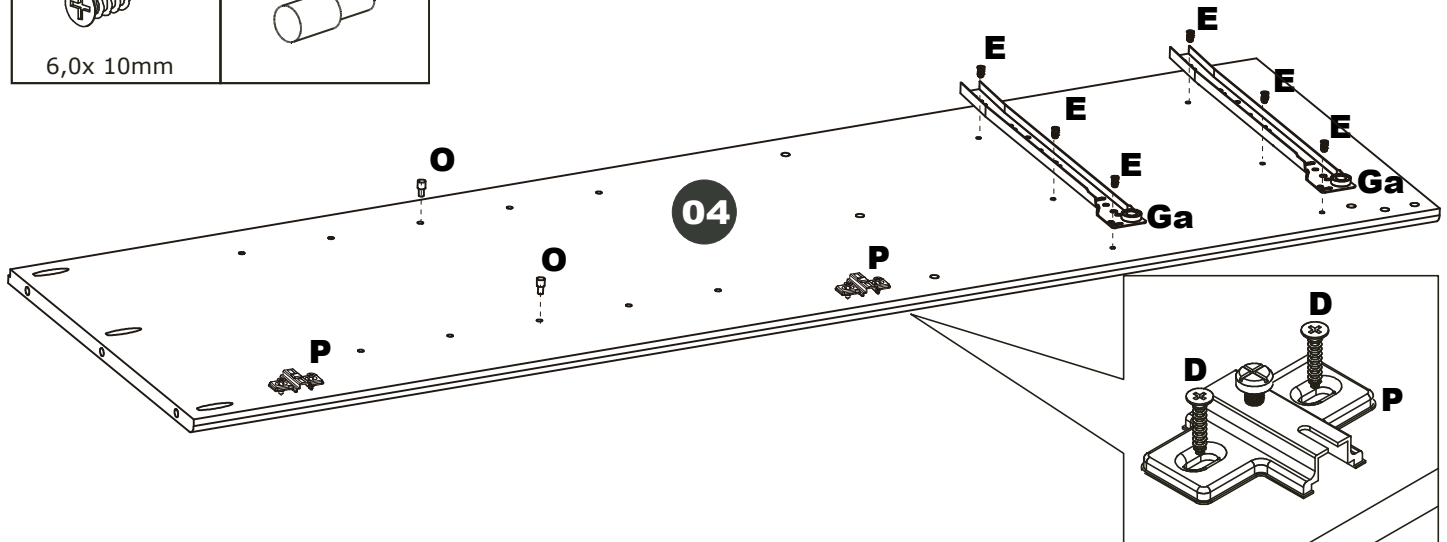
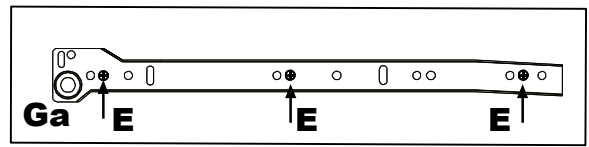


A=36  8,0 x 30mm	B=34  3,5 x 30mm	C=07  4,0 x 40mm	D=28  4,0x 16mm	E=12  6,0x 10mm
F=32 	G=02 	H=02 	I=07 	J=04 
K=02 	L=03  4,0 x 40mm	M=21  4,0 x 25mm	N=14  3,0x 16mm	O=12 
P=07 	Q=07 			

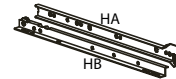






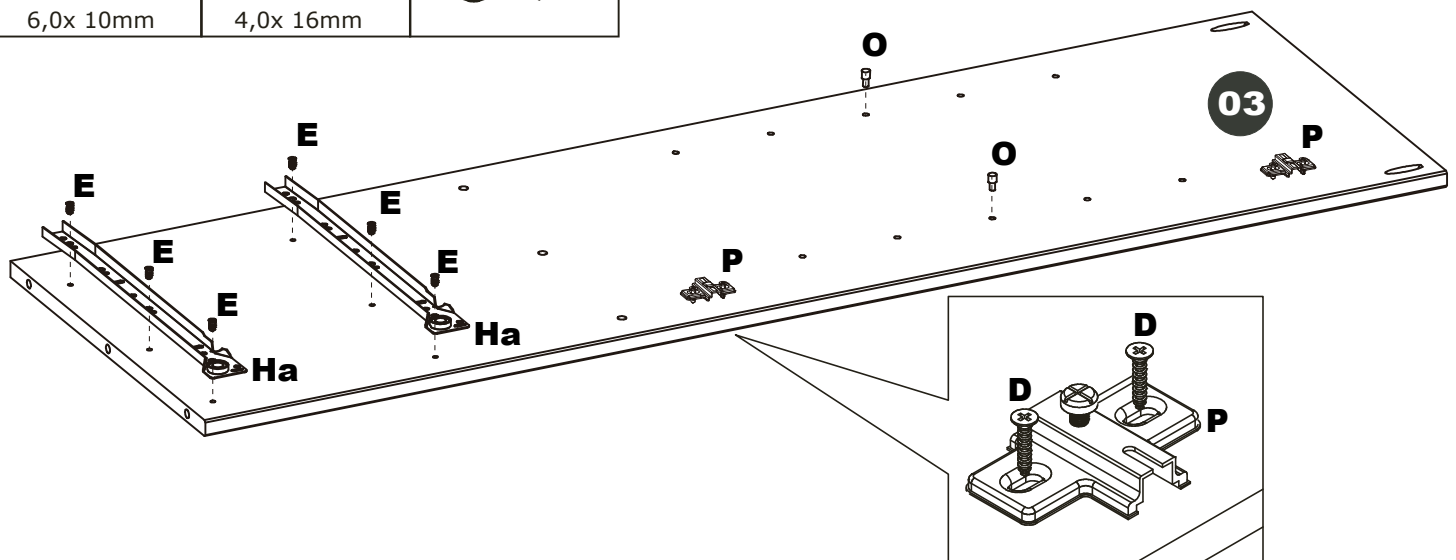
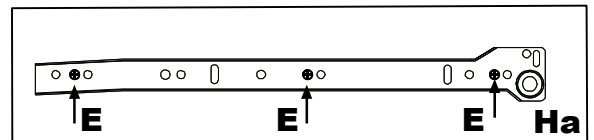
1

G=02 	D=04  4,0x 16mm	P=02 
E=06  6,0x 10mm	O=02 	



2

H=02 	O=02 	
E=06  6,0x 10mm	D=04  4,0x 16mm	P=02 



3

D=06

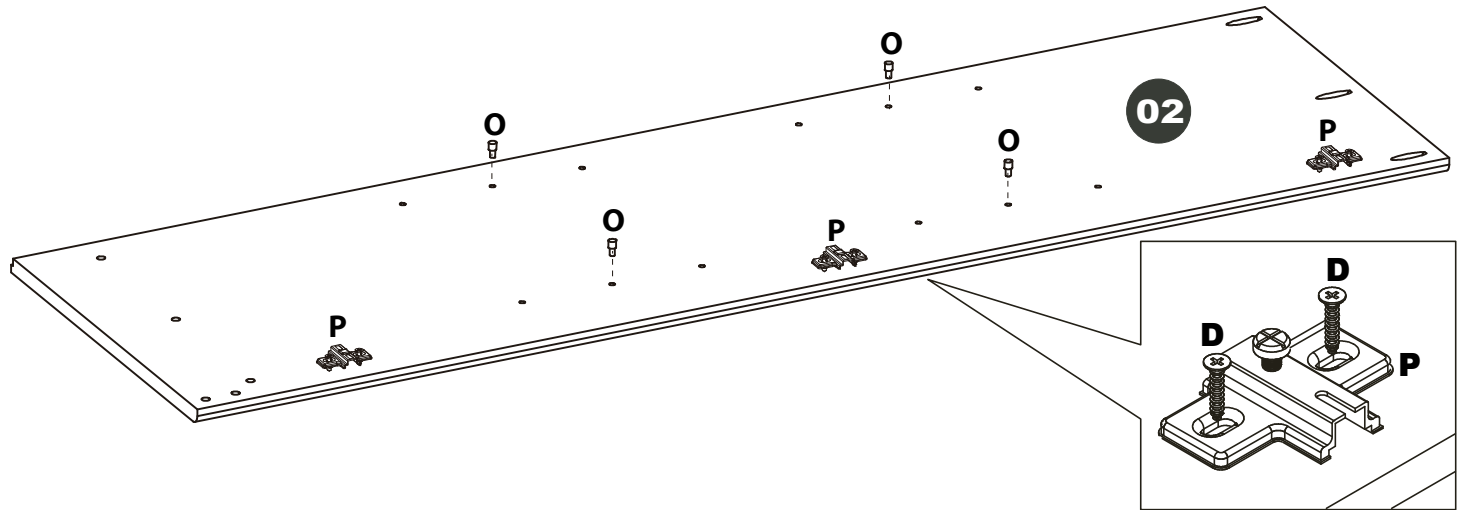
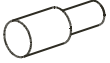


4,0x 16mm

P=03

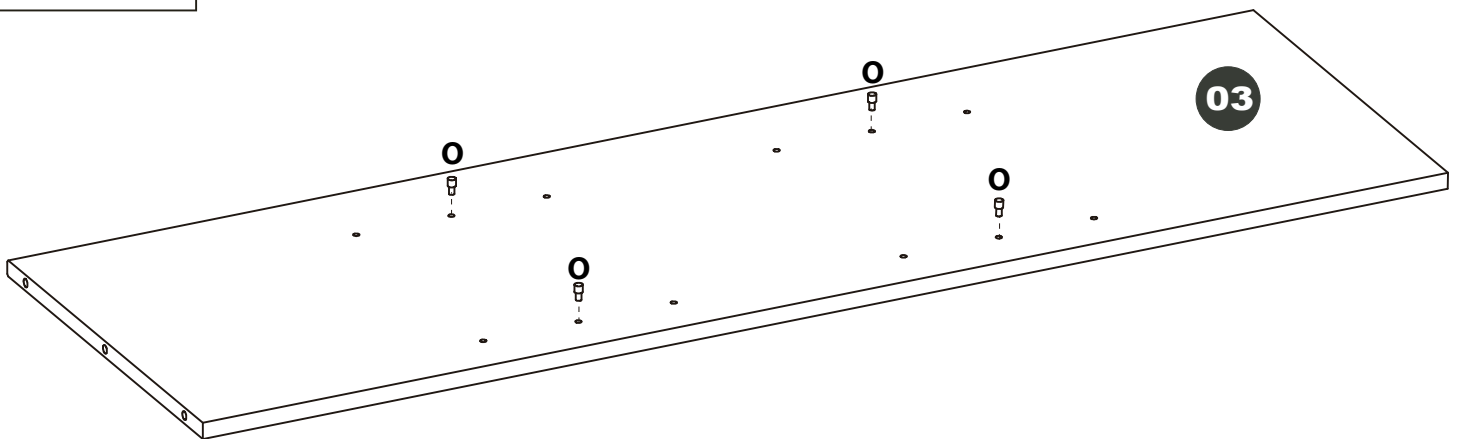
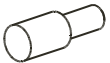


O=04

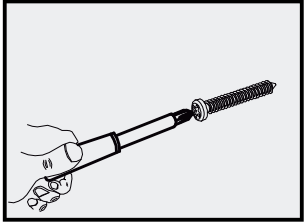
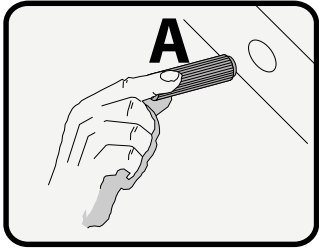


4

O=04



5



A=03

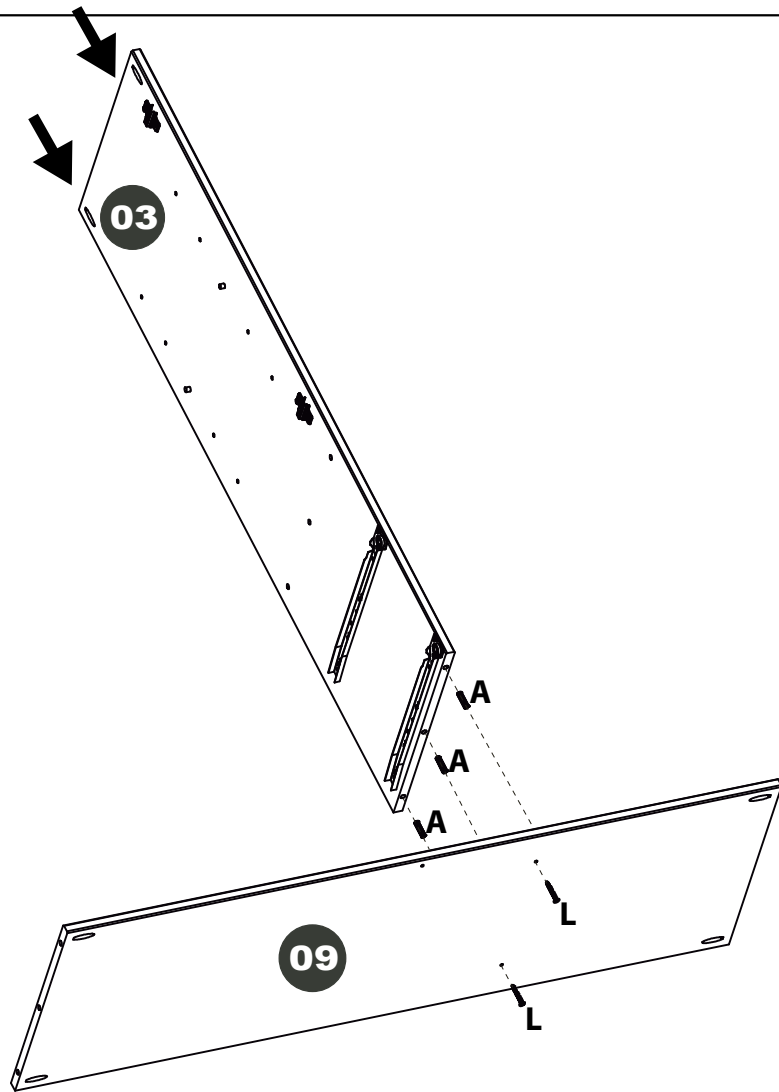


8,0 x 30mm

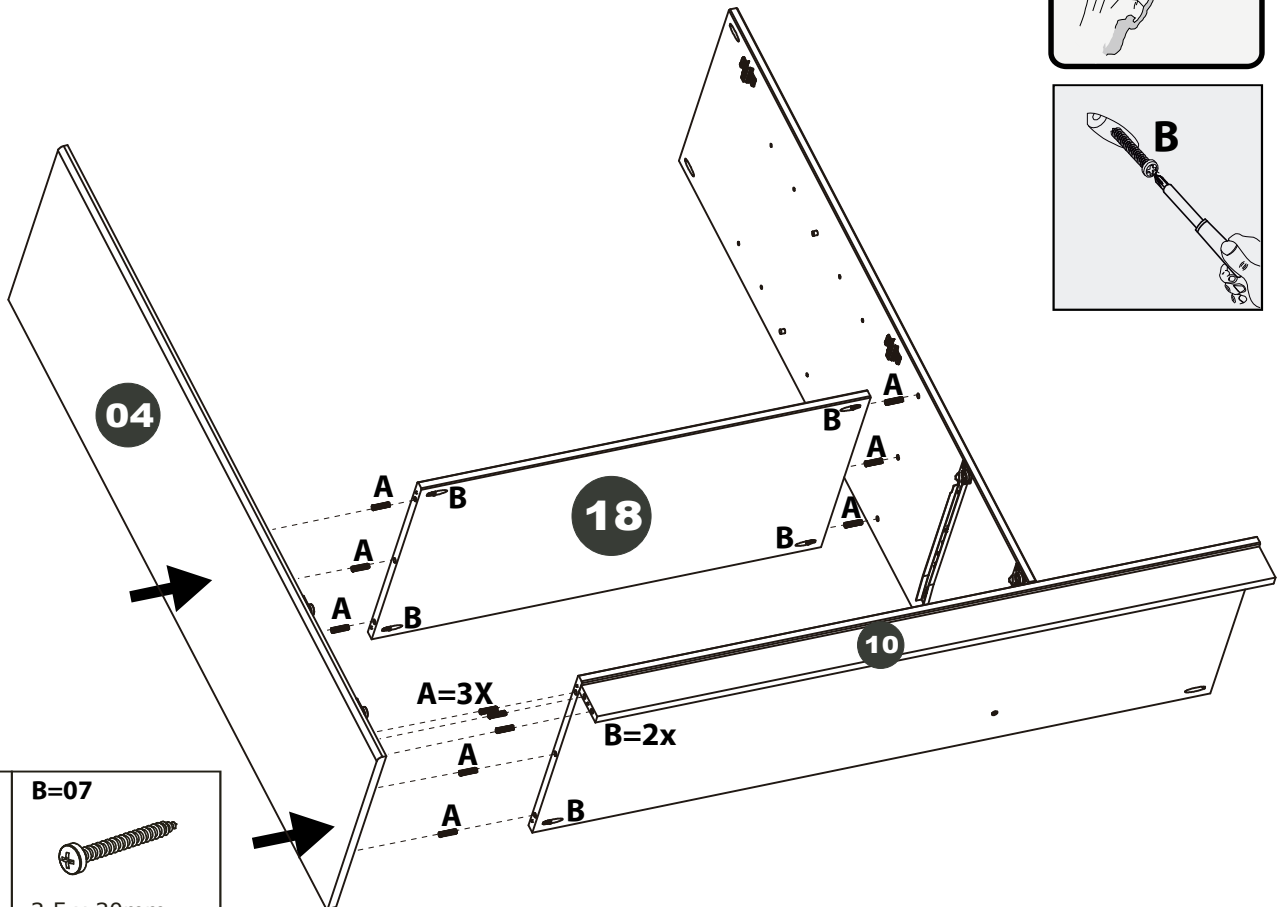
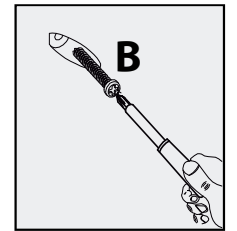
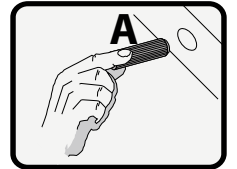
L=02



4,0 x 40mm



6



A=11



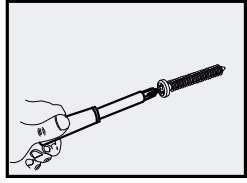
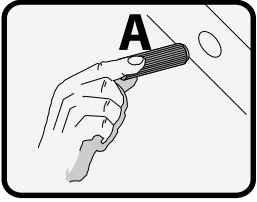
8,0 x 30mm

B=07



3,5 x 30mm

7



B=03

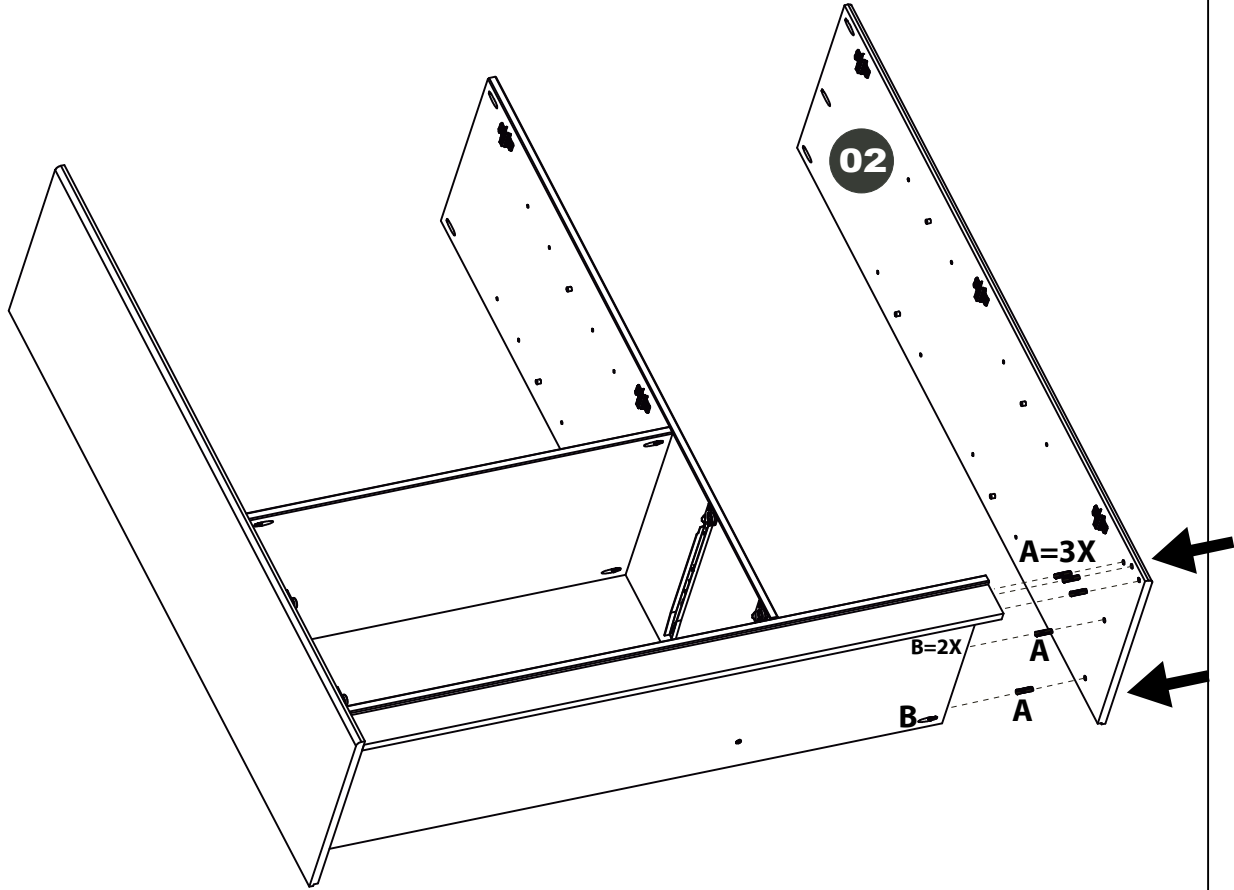


3,5 x 30mm

A=05



8,0 x 30mm

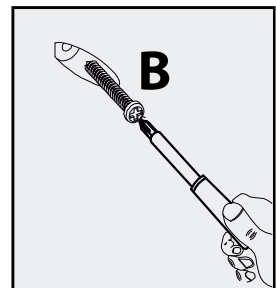
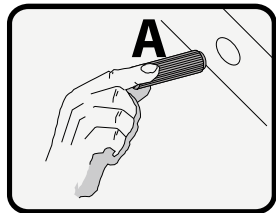


8

L=01



4,0 x 40mm

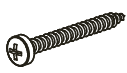


A=09

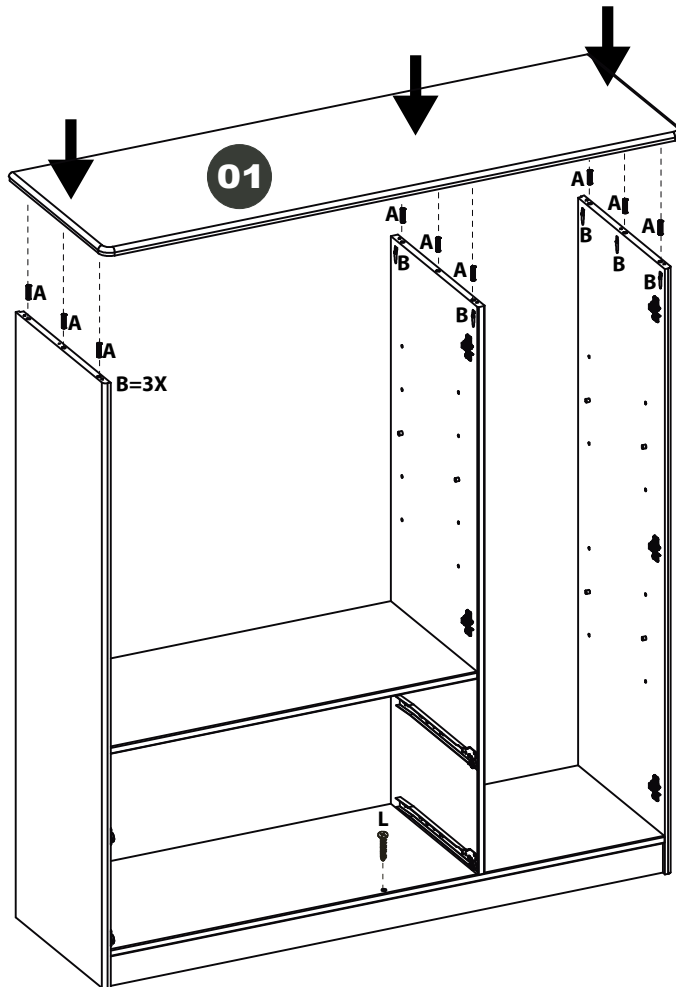


8,0 x 30mm

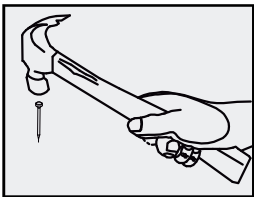
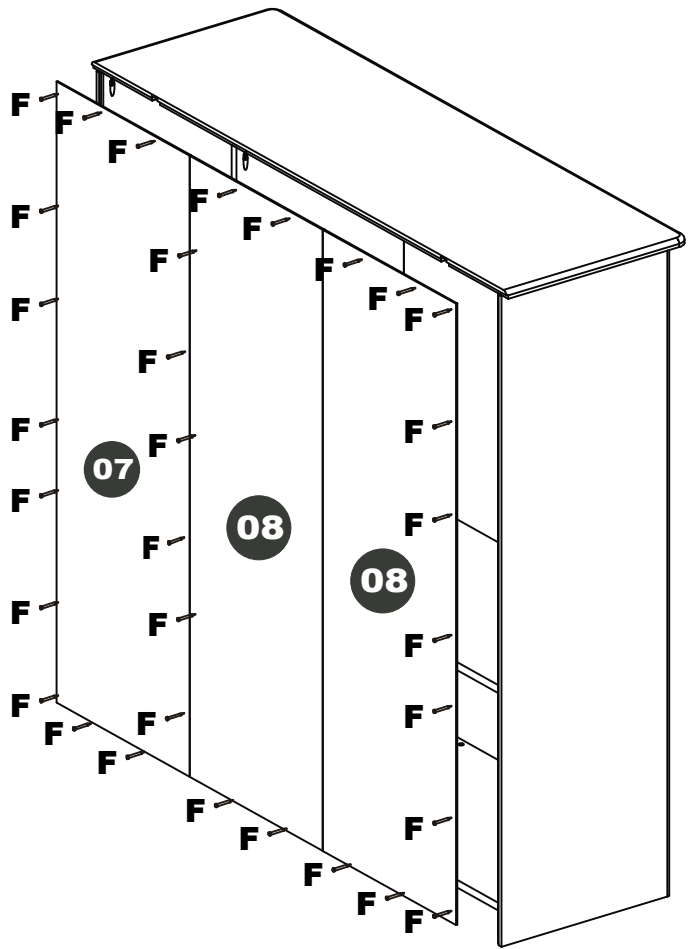
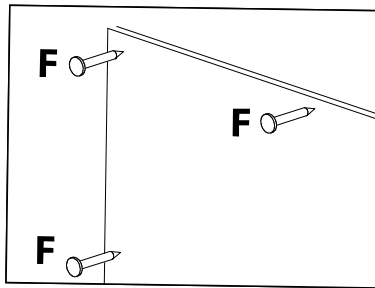
B=08



3,5 x 30mm



9

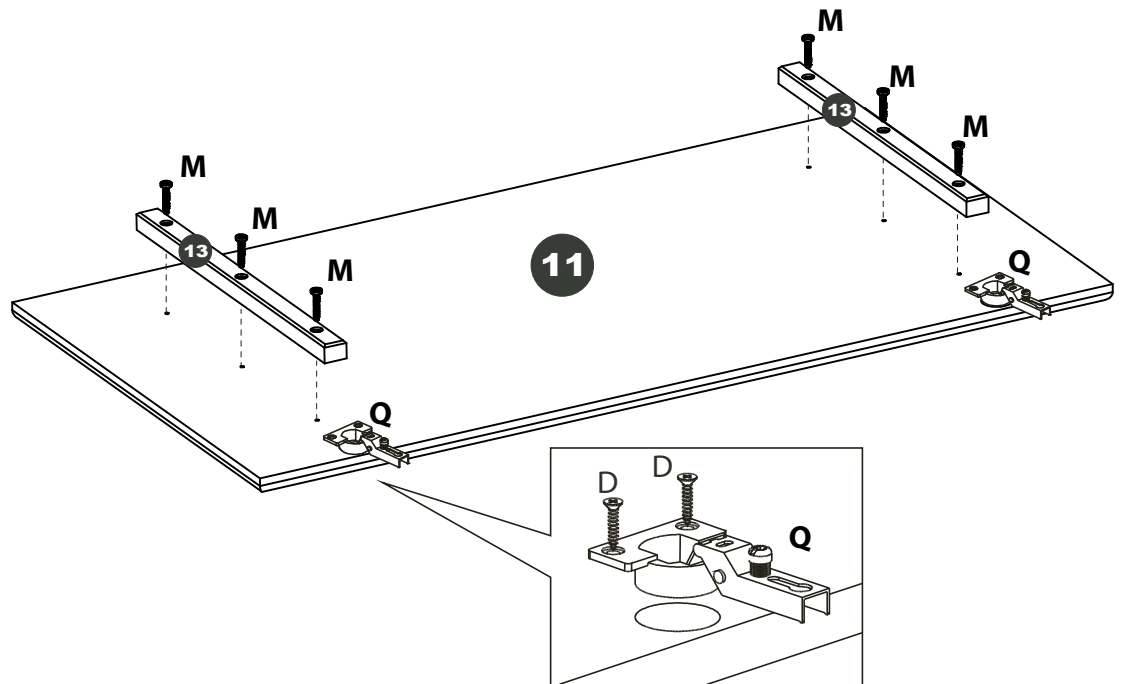


F=32



10

2x



D=08



4,0x 16mm

M=12



4,0 x 25mm

Q=04



11

D=06



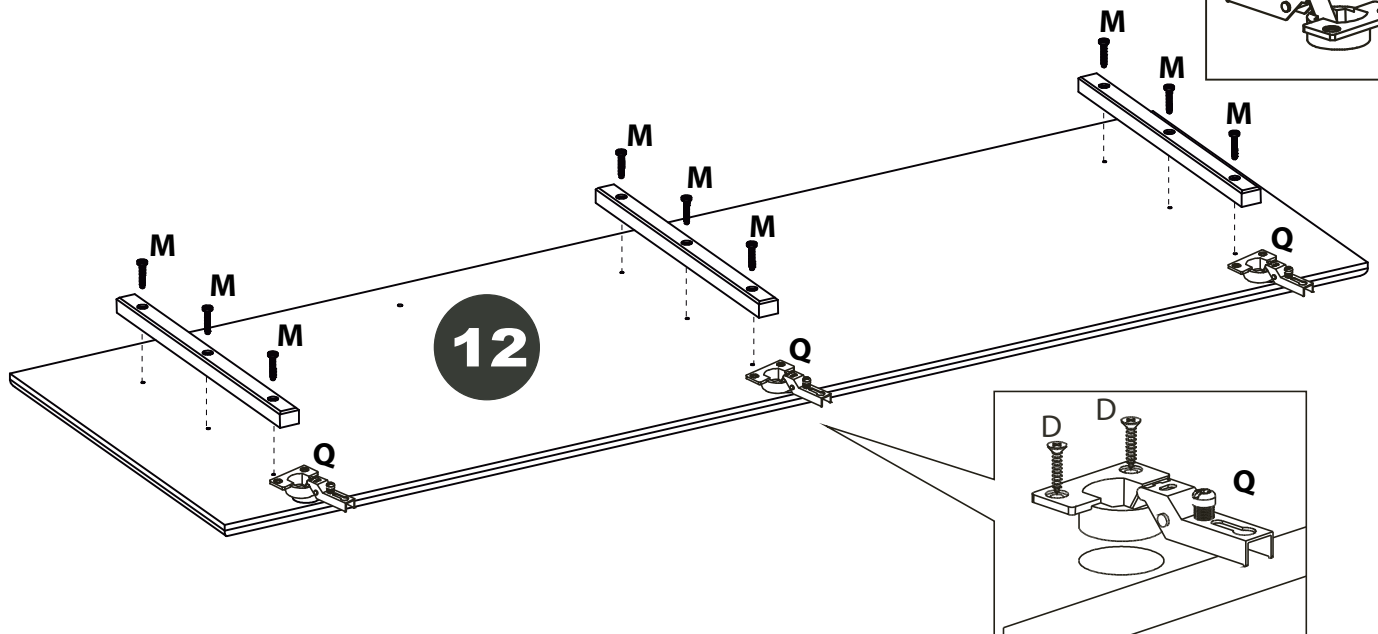
4,0x 16mm

M=09

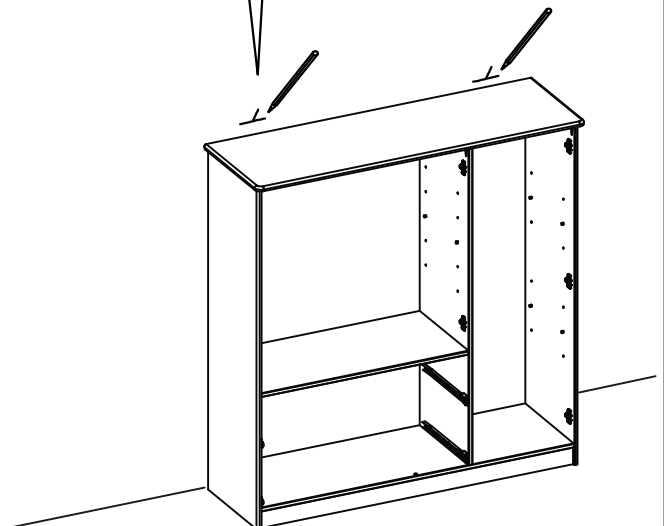
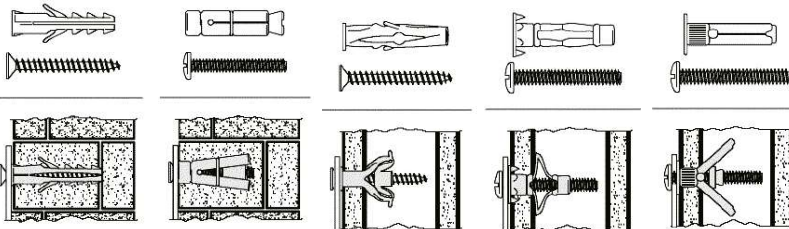
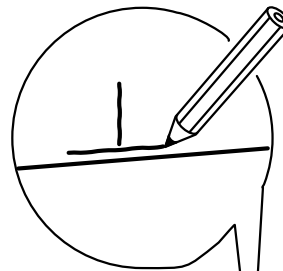
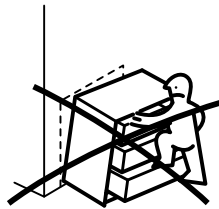
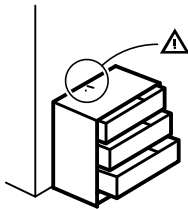


4,0 x 25mm

Q=03



12

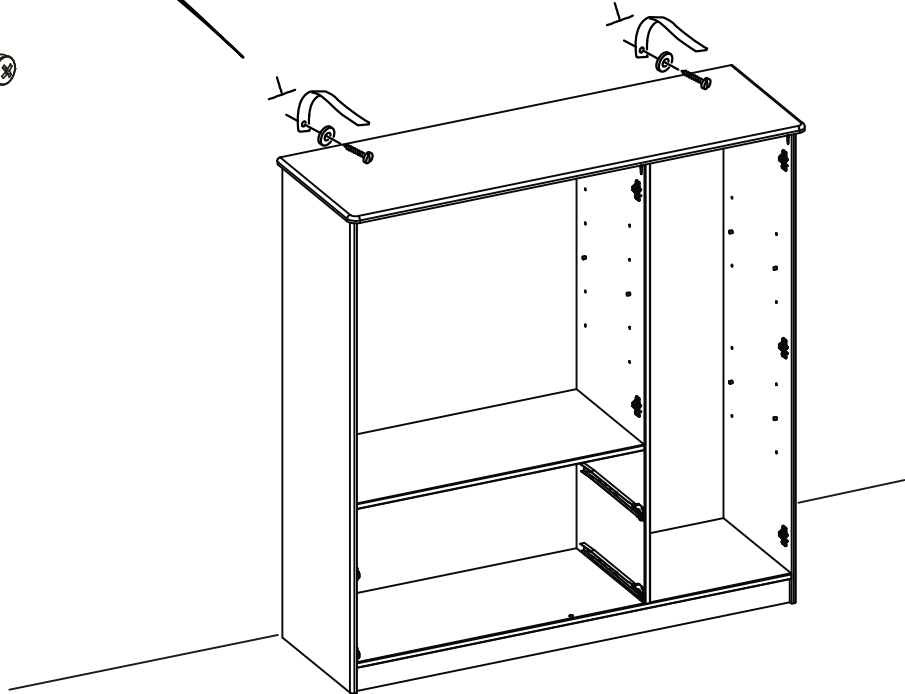
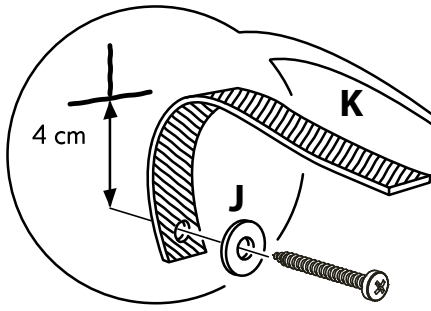


13

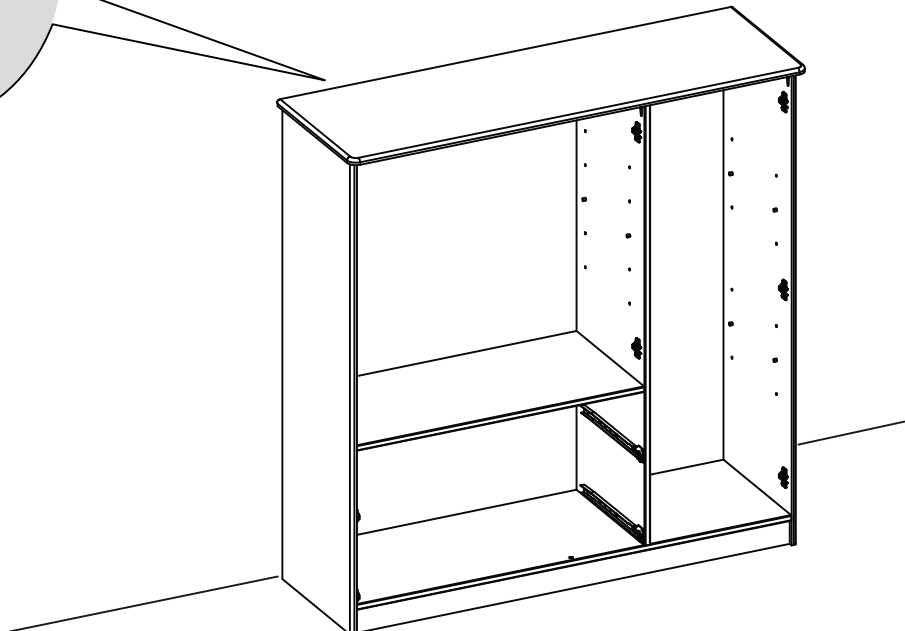
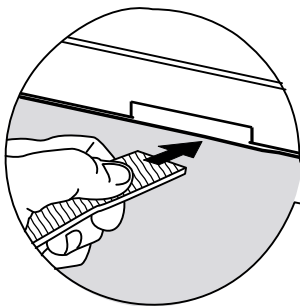
K=02



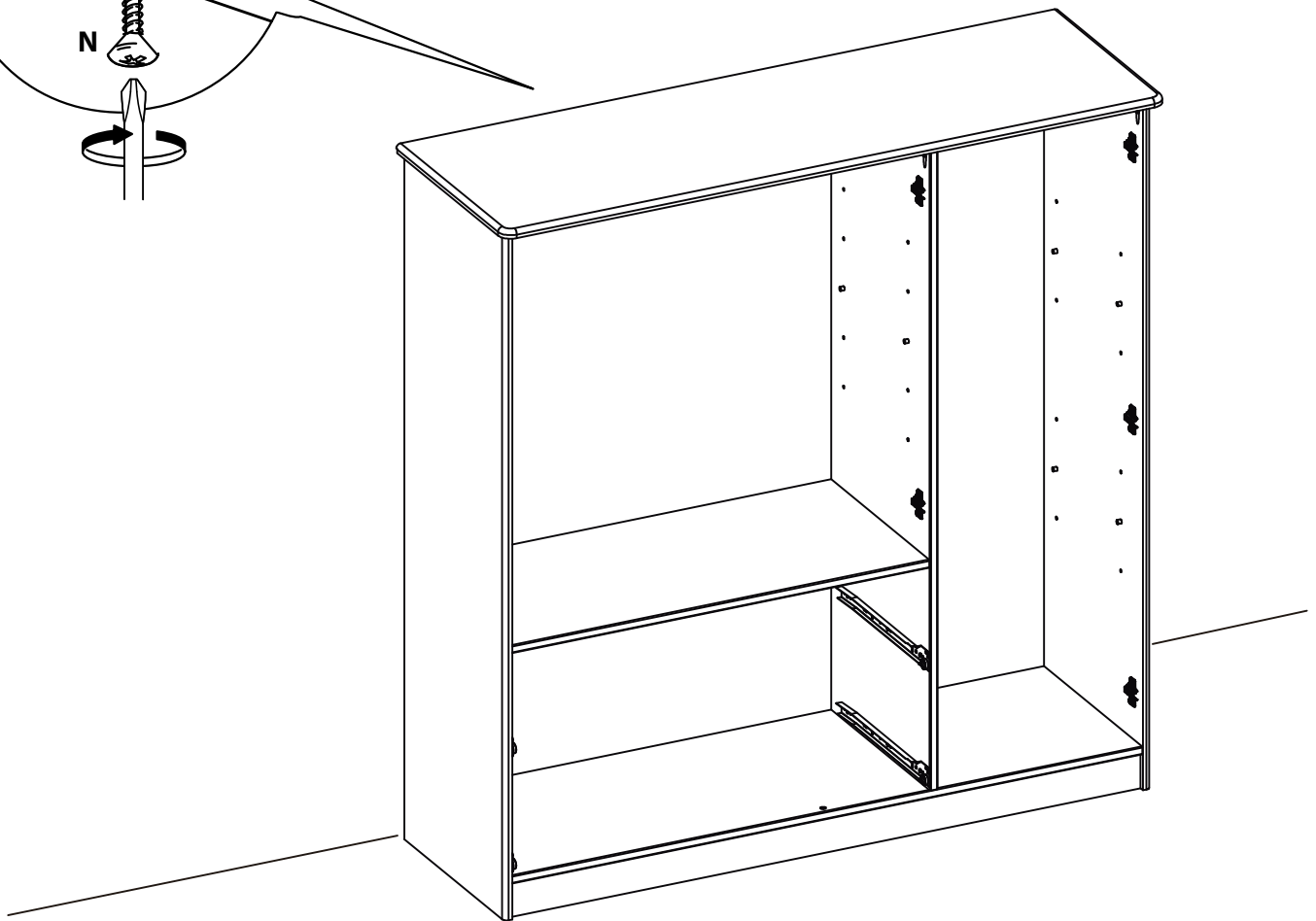
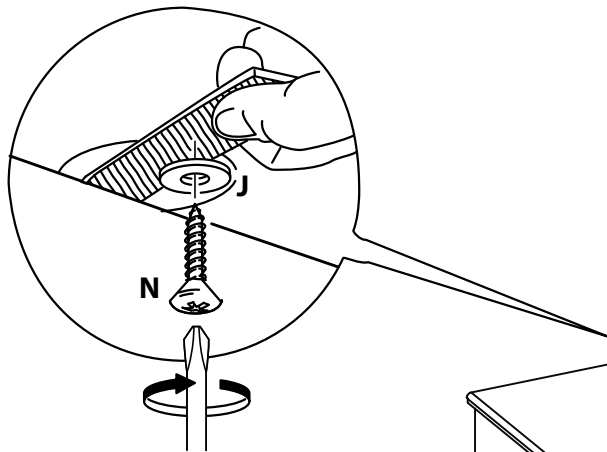
J=02



14



15



J=02



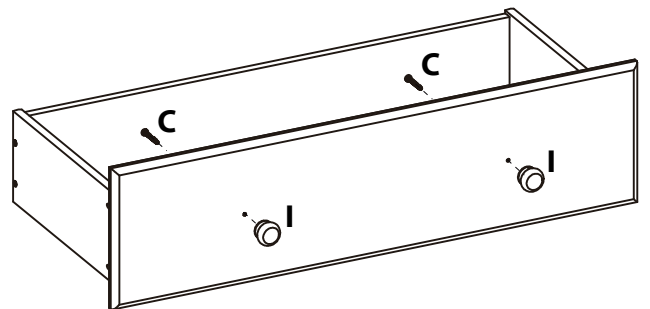
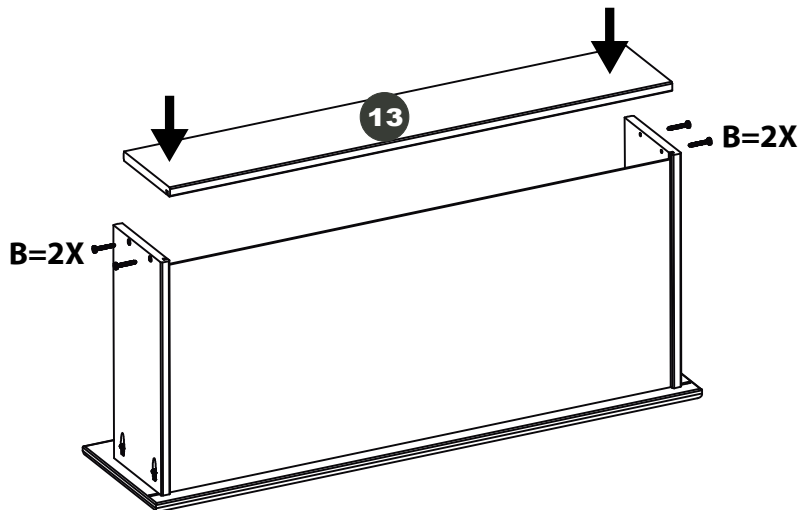
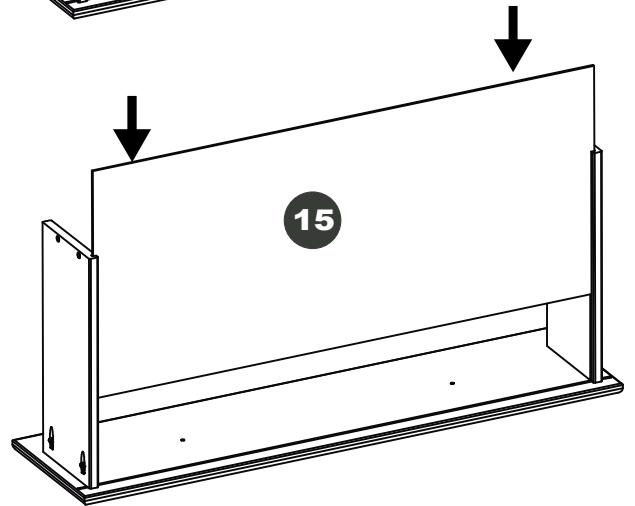
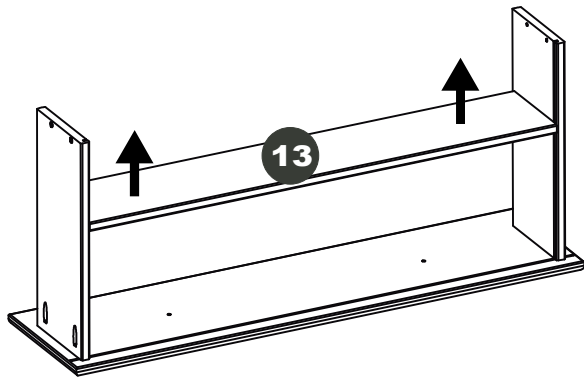
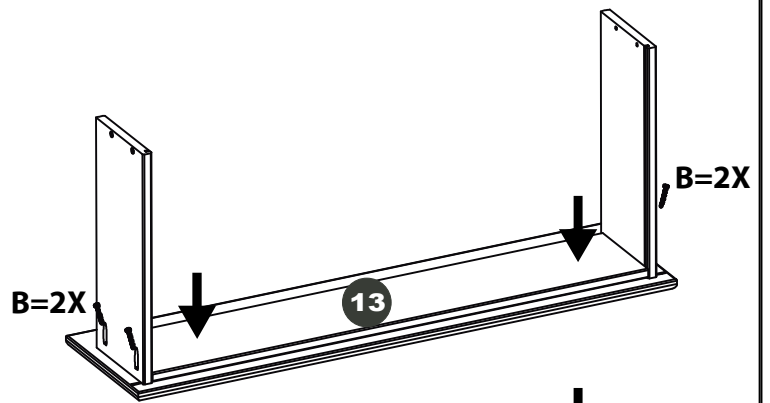
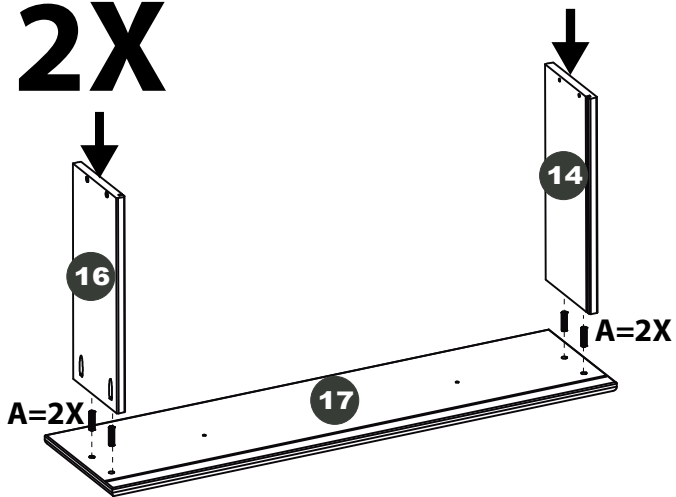
N=02



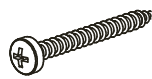



3,0x 16mm

16

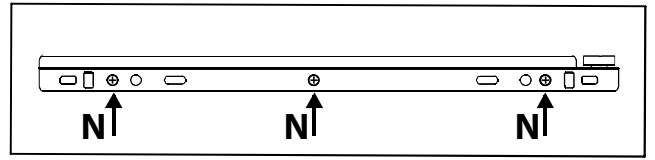
2X



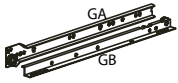
A=08  8,0 x 30mm	B=16  3,5 x 30mm	C=04  4,0 x 40mm	I=04 
---	--	--	--

17

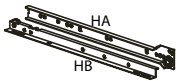
2X



G=02



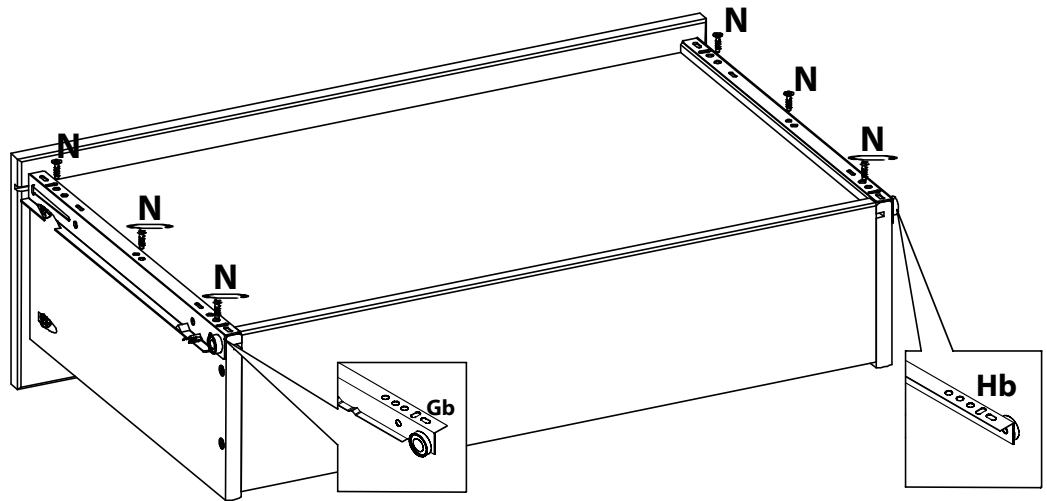
H=02



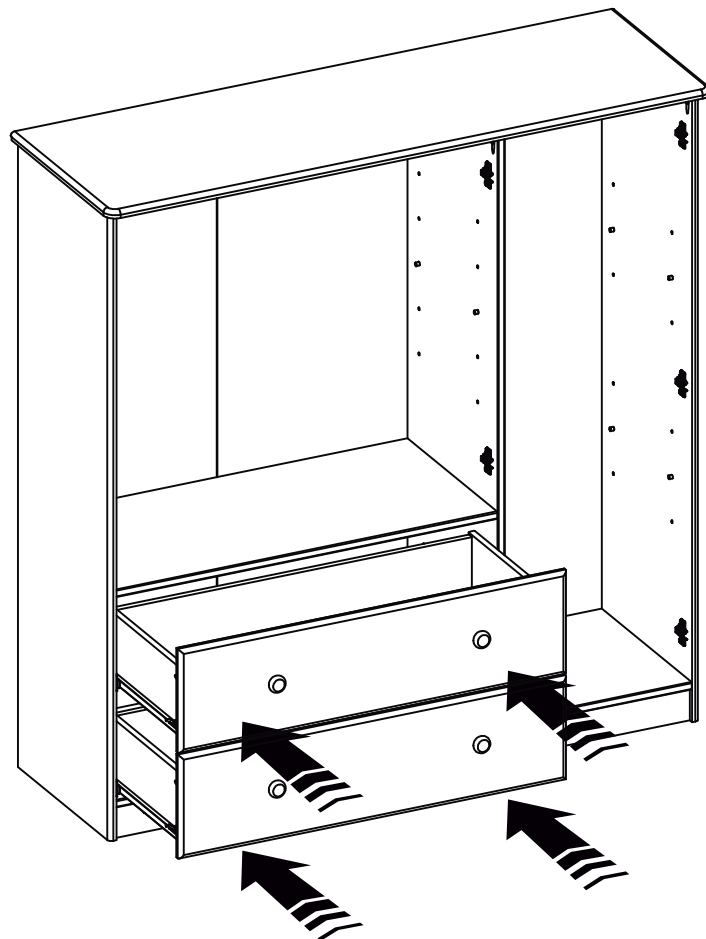
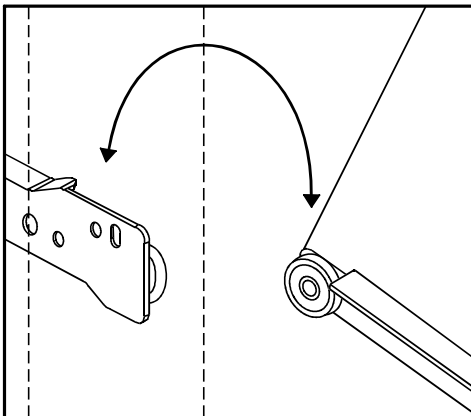
N=12

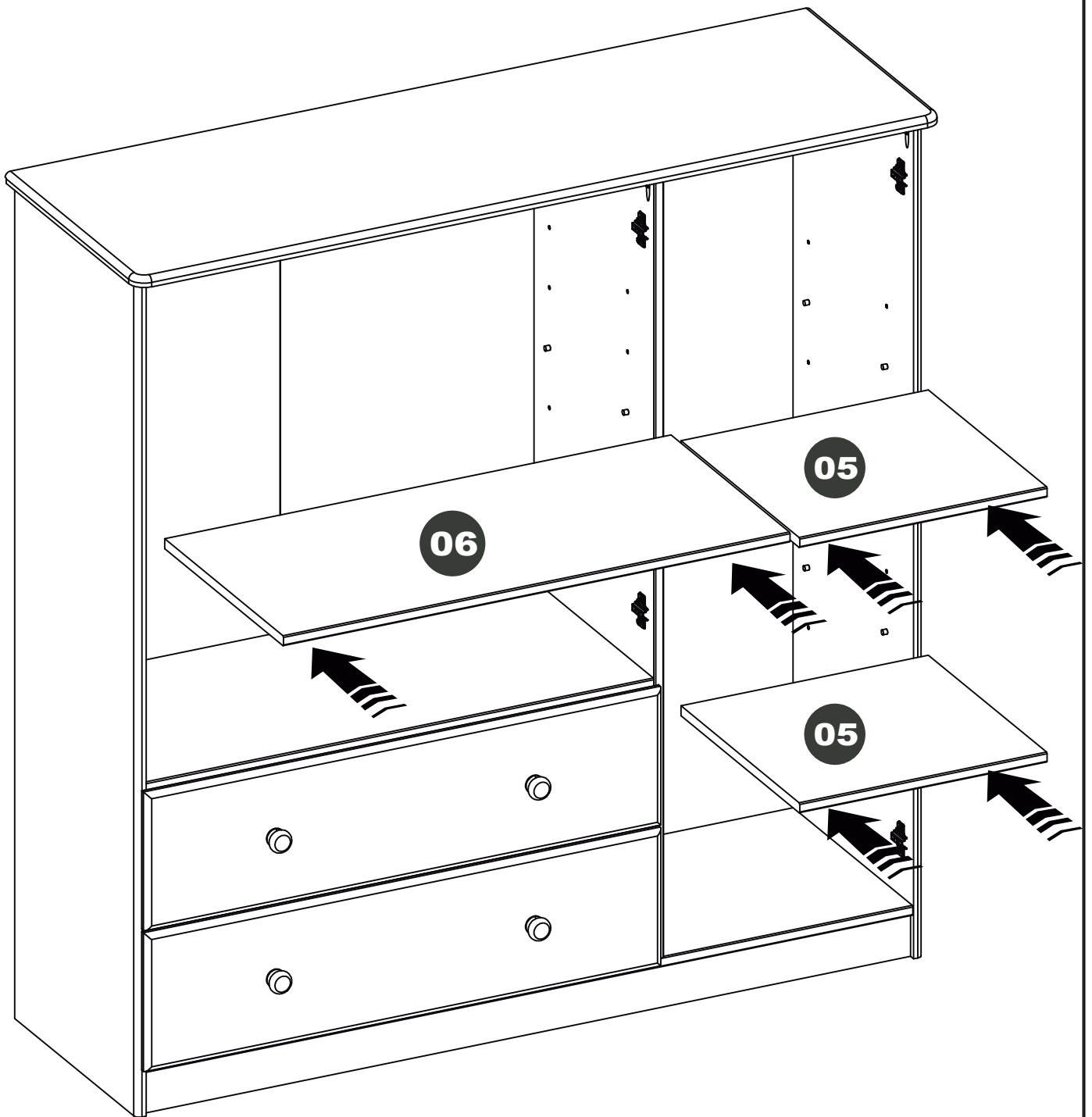


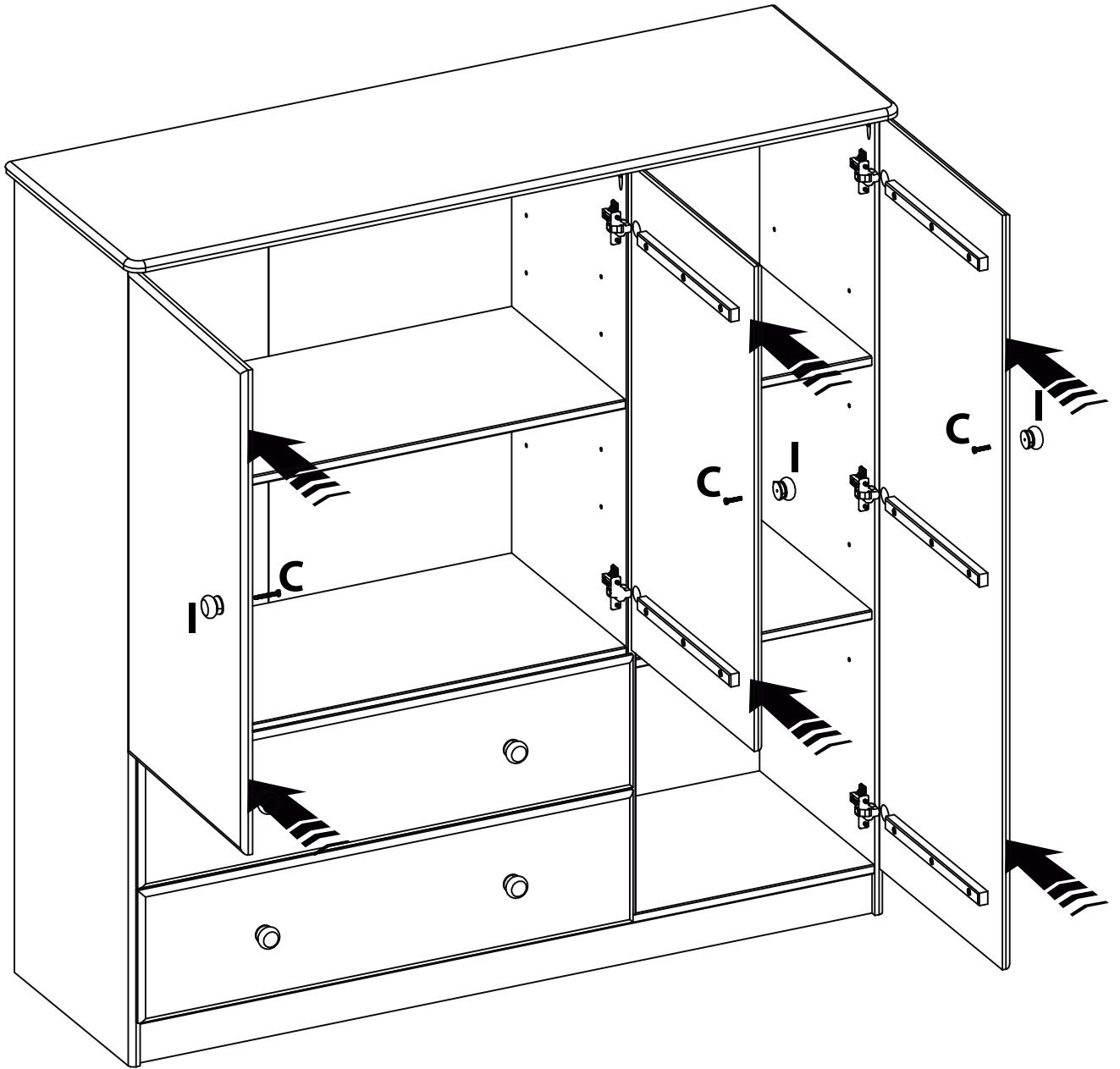
3,0x 16mm





18







C=03  4,0 x 40mm	I=03 
---	--

21

