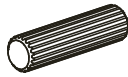






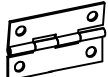





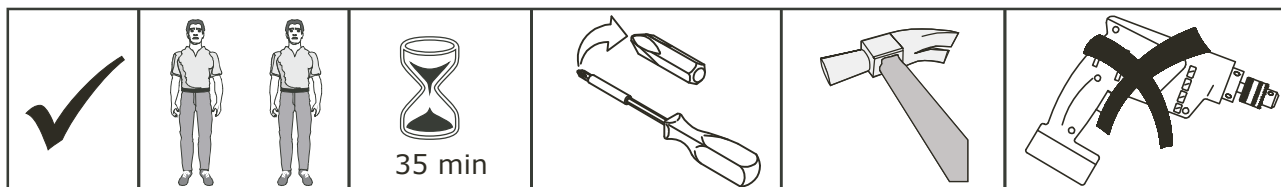
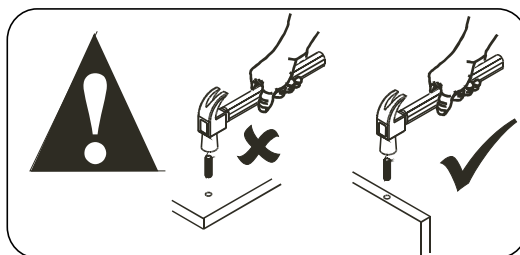
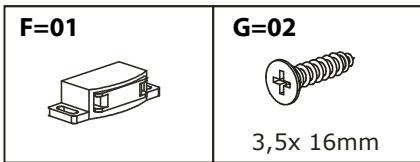
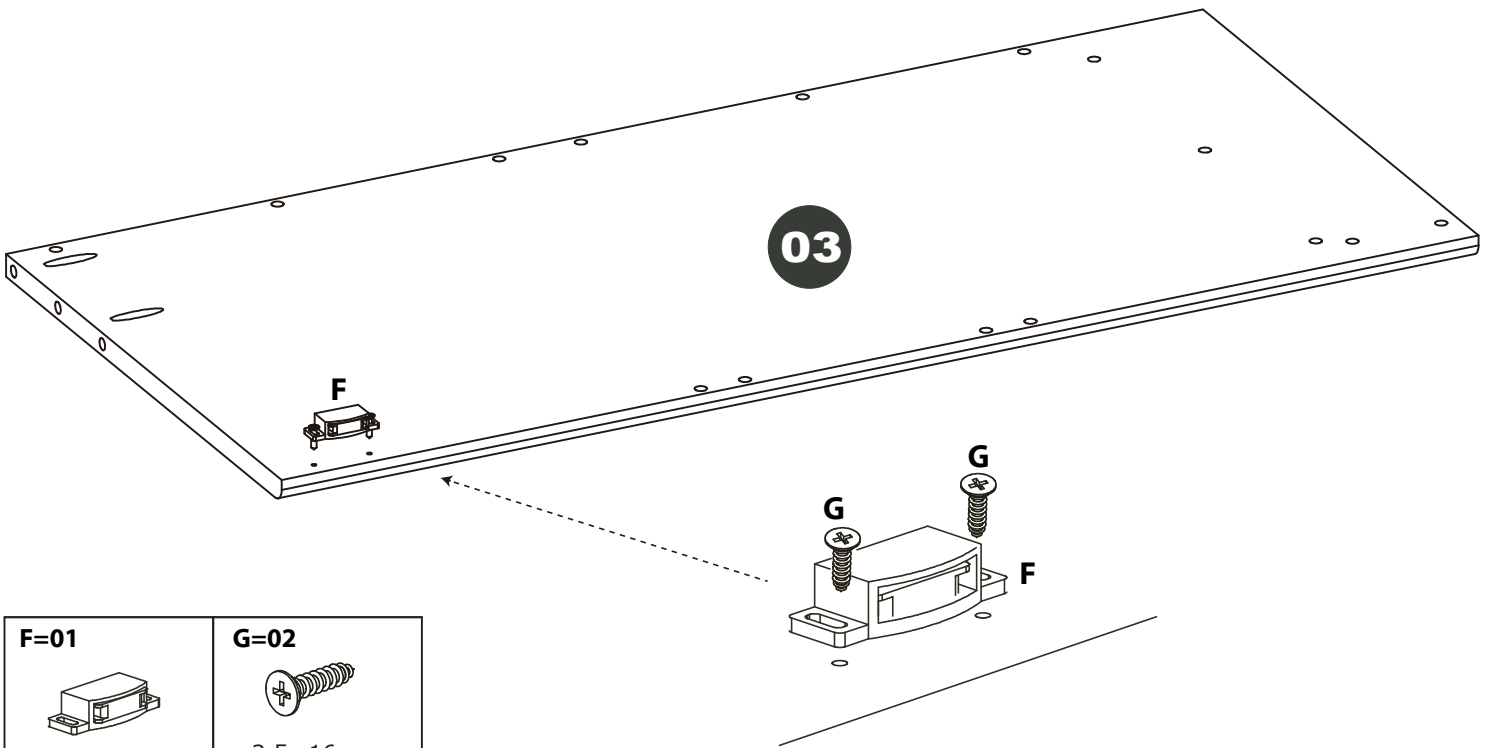


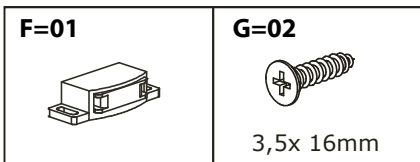
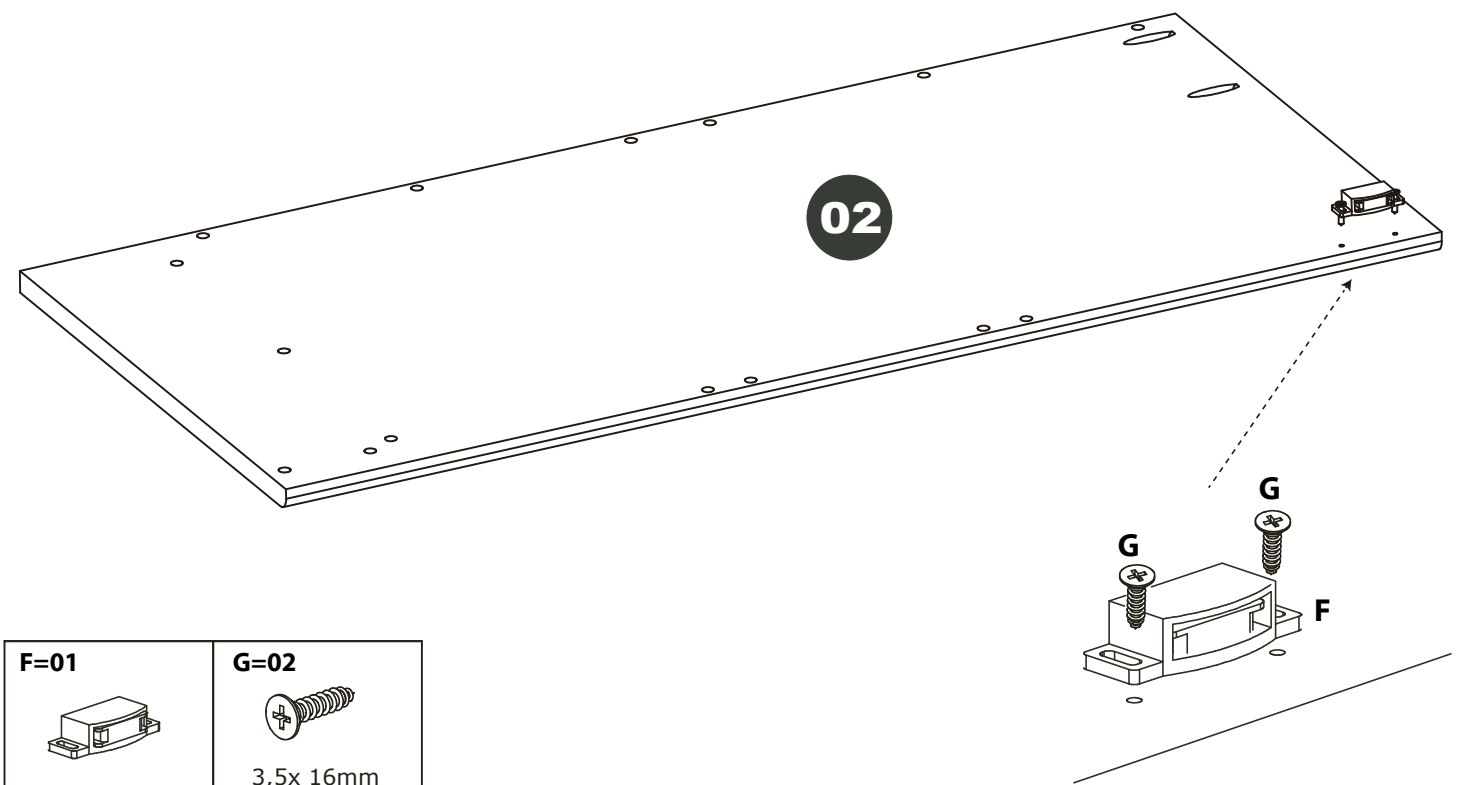
<b>A=39</b>  8,0 x 30mm	<b>B=22</b>  3,5 x 30mm	<b>C=02</b>  4,0 x 40mm	<b>D=29</b>  3,0x 16mm	<b>E=06</b>  4,0x 25mm
<b>F=02</b> 	<b>G=08</b>  3,5x 16mm	<b>H=06</b> 	<b>I=02</b> 	<b>J=02</b> 
<b>K=01</b> 	<b>L=02</b> 	<b>M=02</b> 		



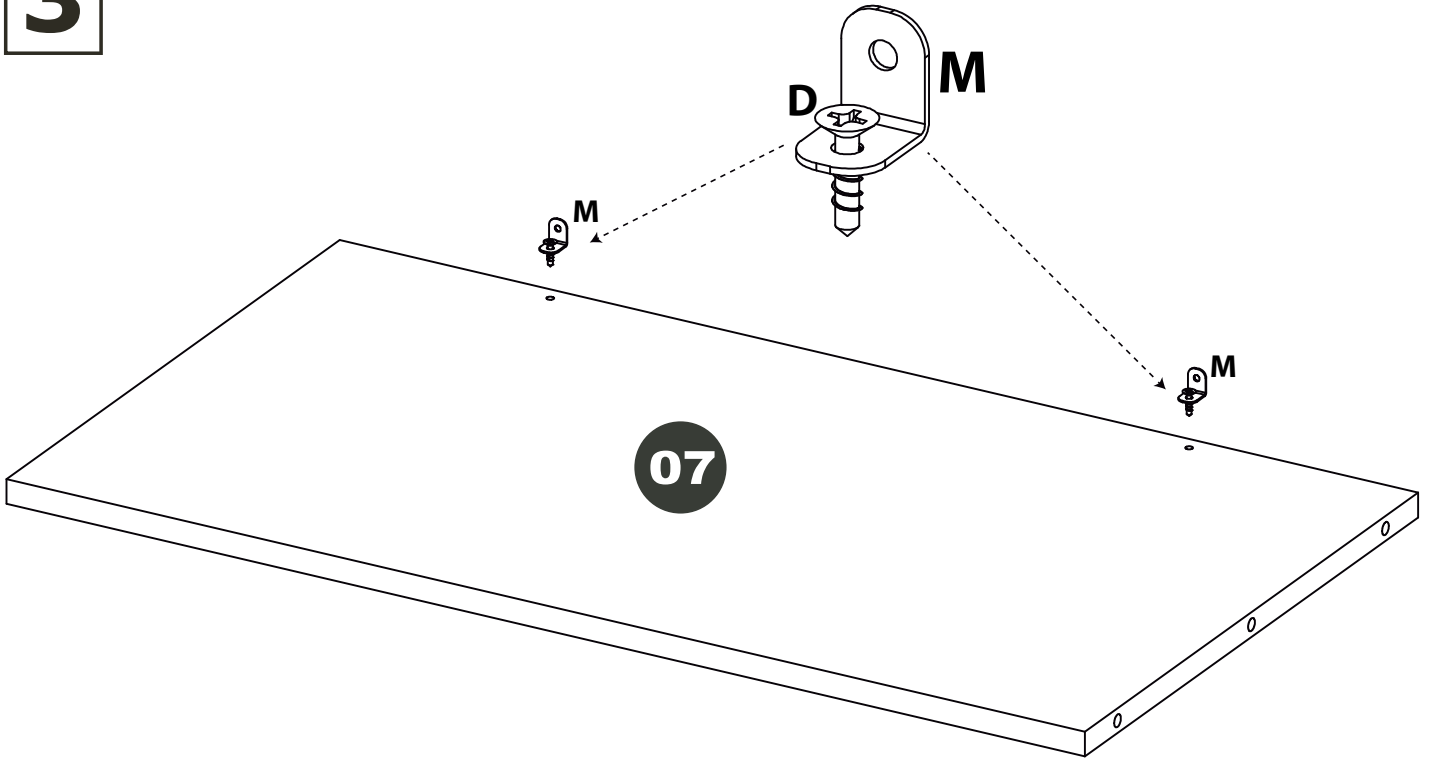
**1**



**2**



3



D=02

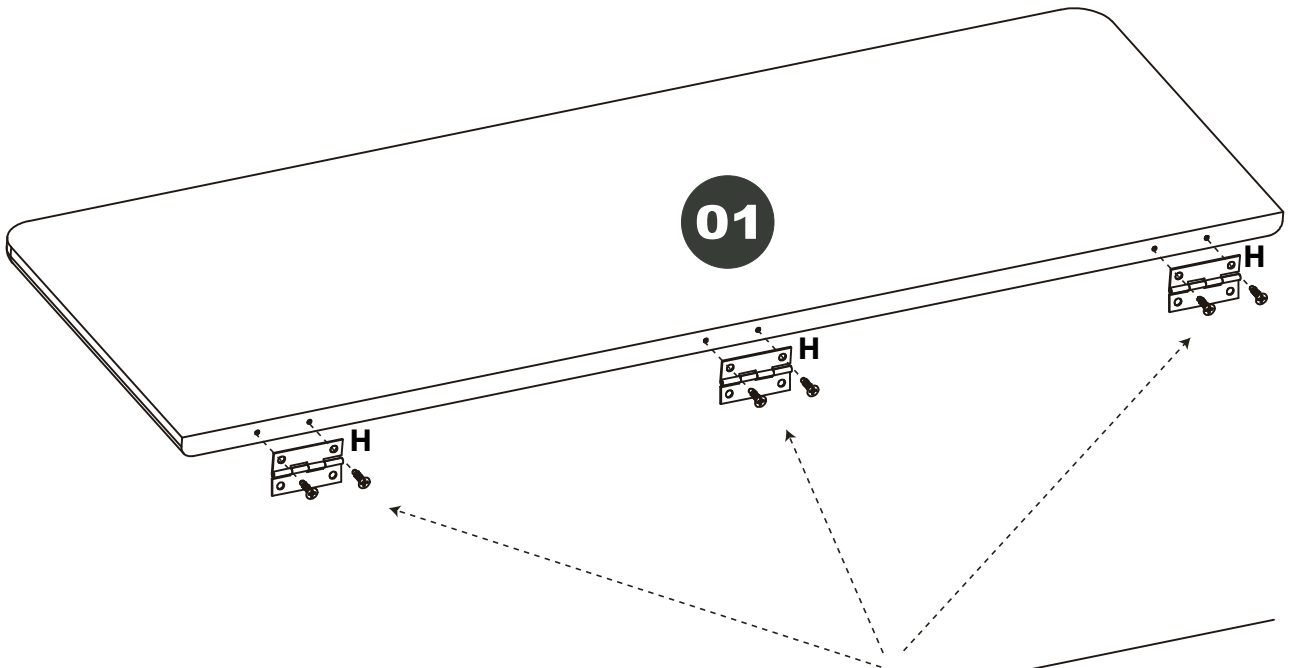


3,0x 16mm

M=02



4

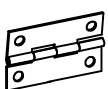


D=06



3,0x 16mm

H=03

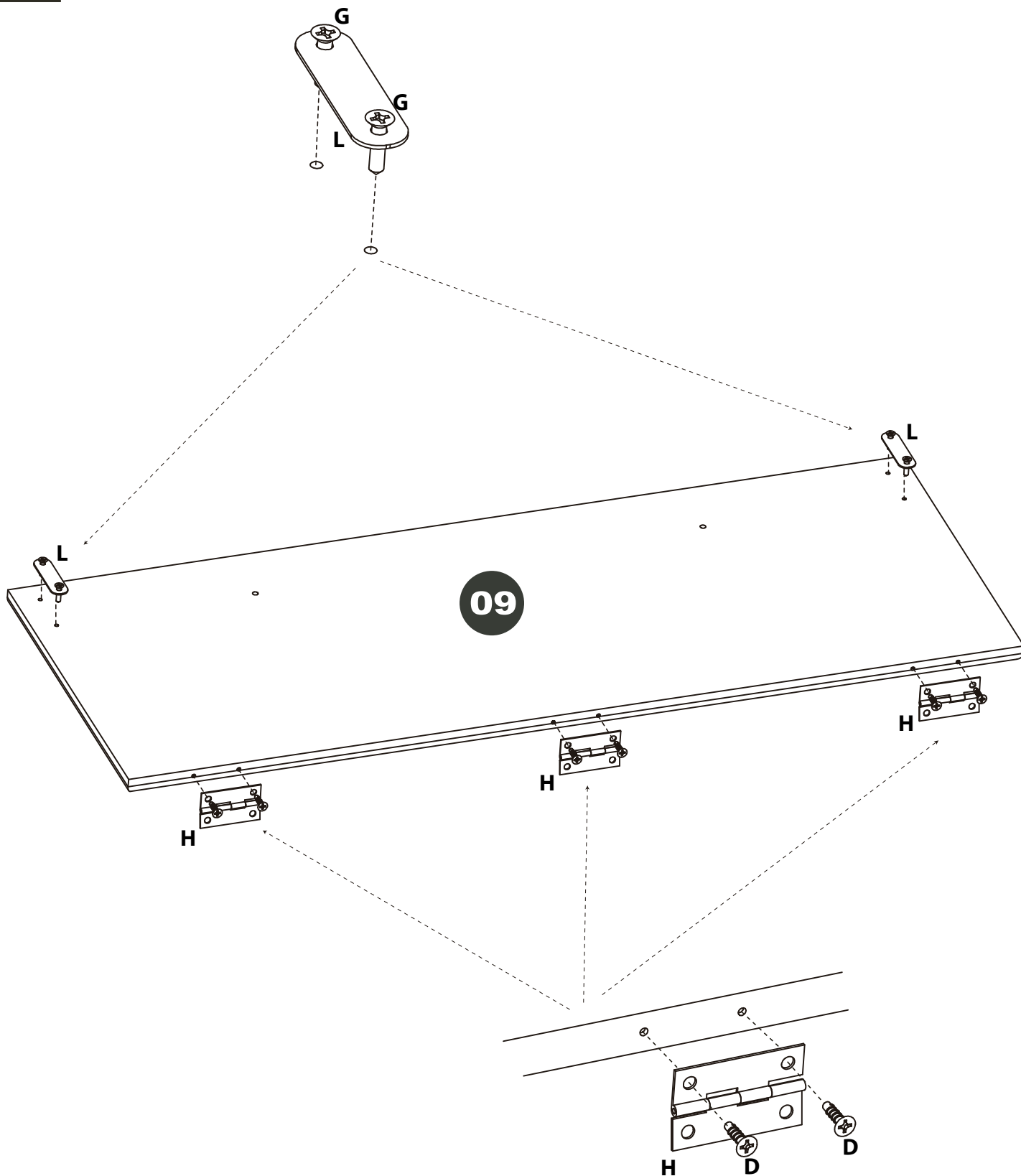



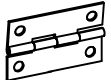


H

D

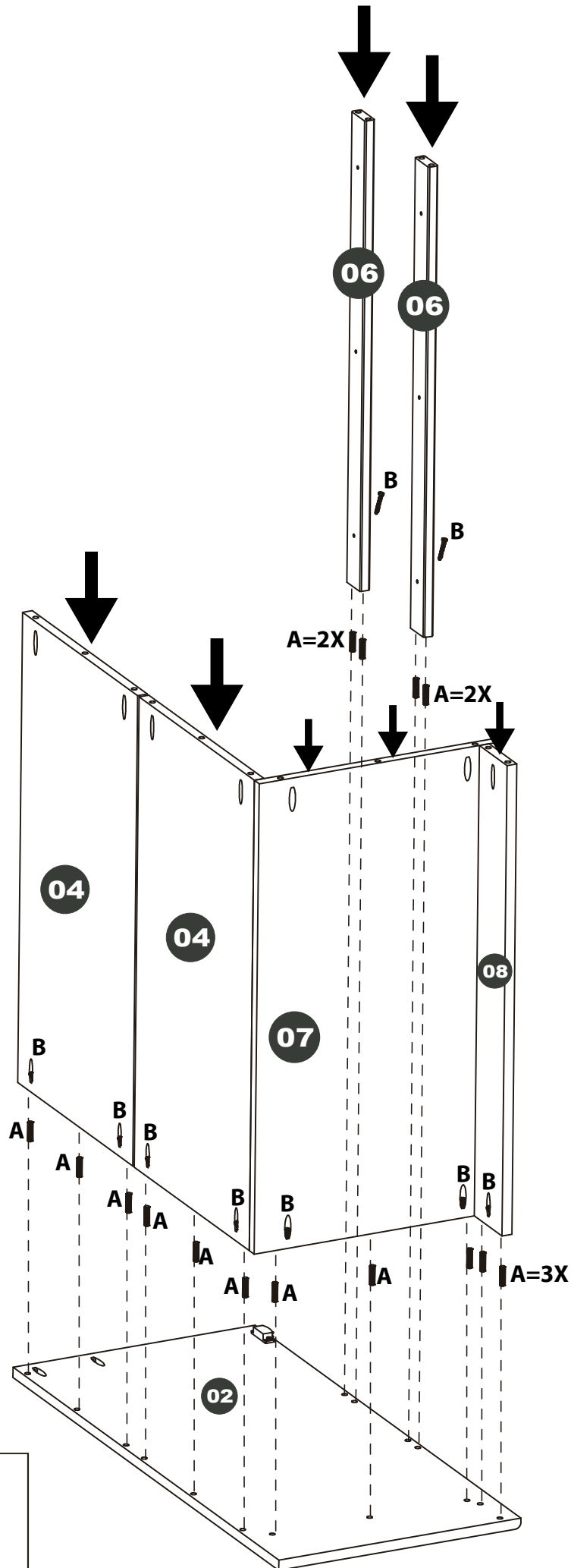
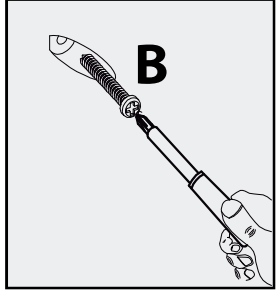
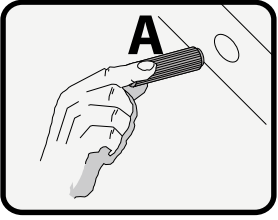
D

**5**



<b>D=06</b>  3,0x 16mm	<b>H=03</b> 	<b>L=02</b> 	<b>G=04</b>  3,5x 16mm
---	--	--	---

6



A=15



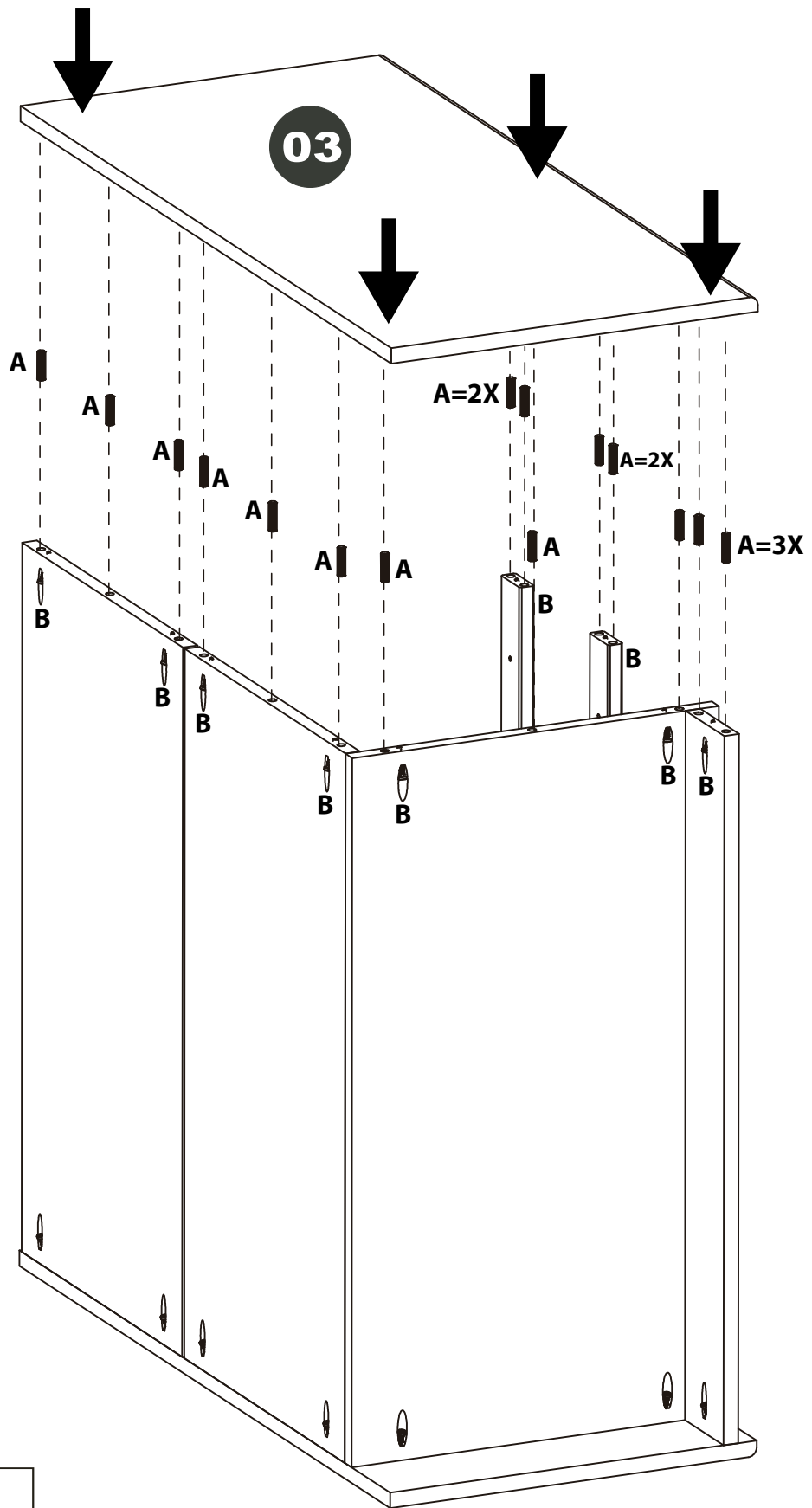
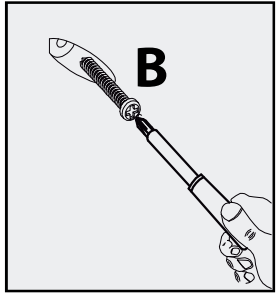
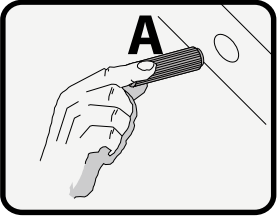
8,0 x 30mm


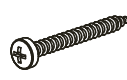
B=09



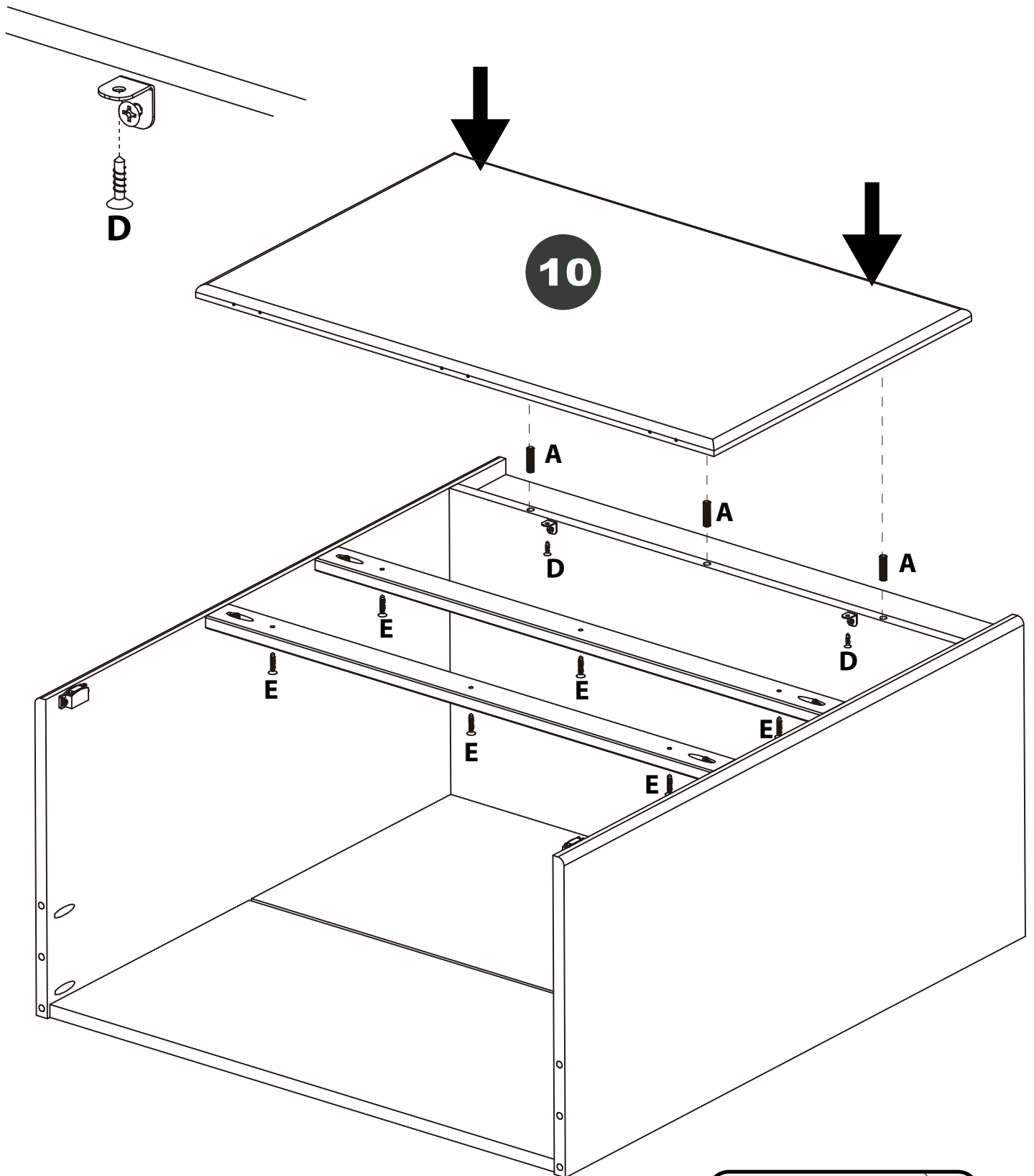
3,5 x 30mm




7

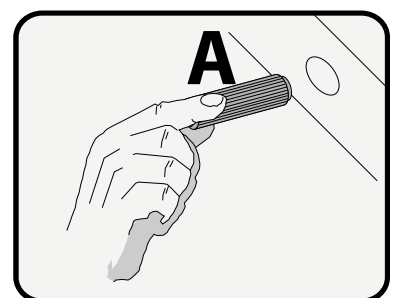


<b>A=15</b>  8,0 x 30mm	<b>B=09</b>  3,5 x 30mm
--	--

8

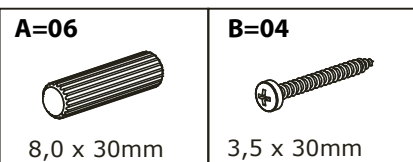
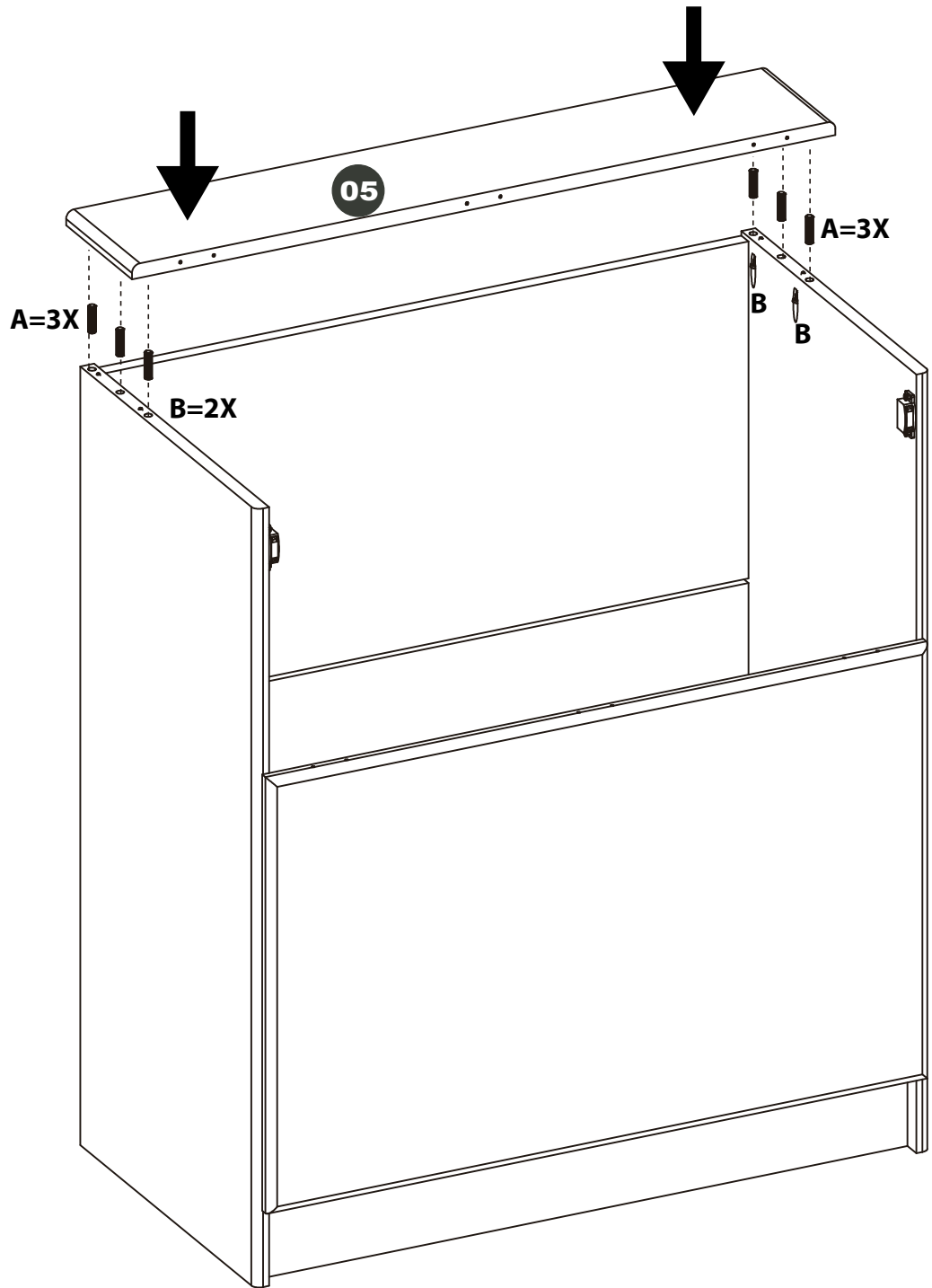
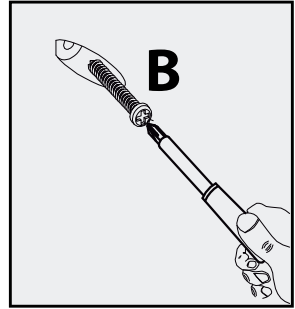
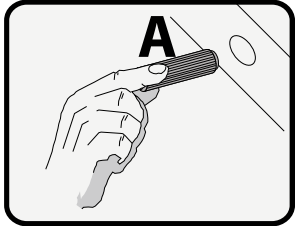


<b>A=03</b>  8,0 x 30mm	<b>E=06</b>  4,0x 25mm	<b>D=02</b>  3,0x 16mm
--	---	---

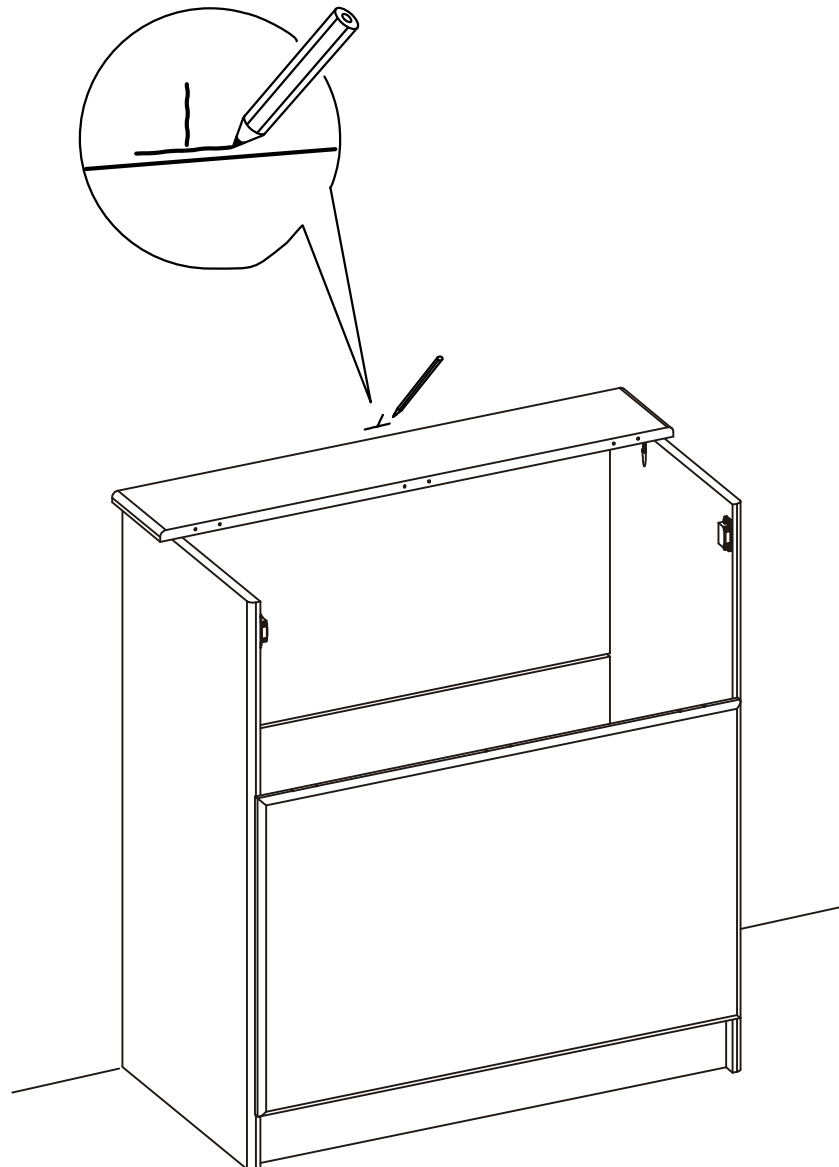
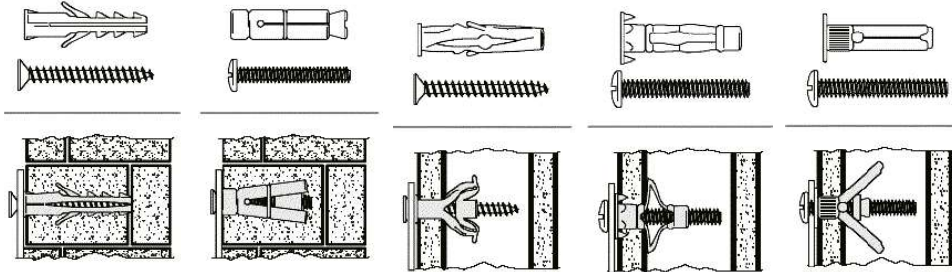
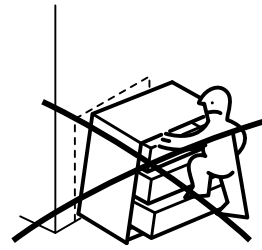
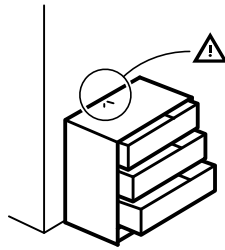




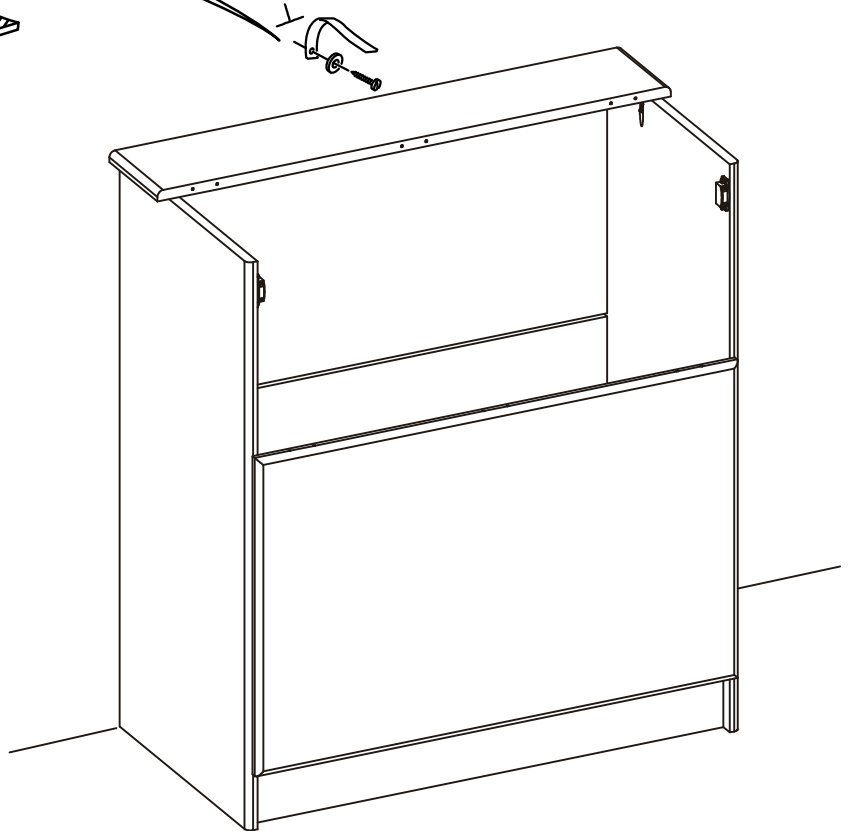
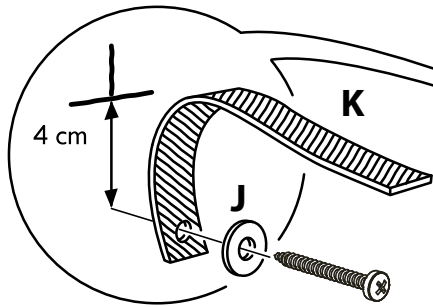
9



# 10



# 11



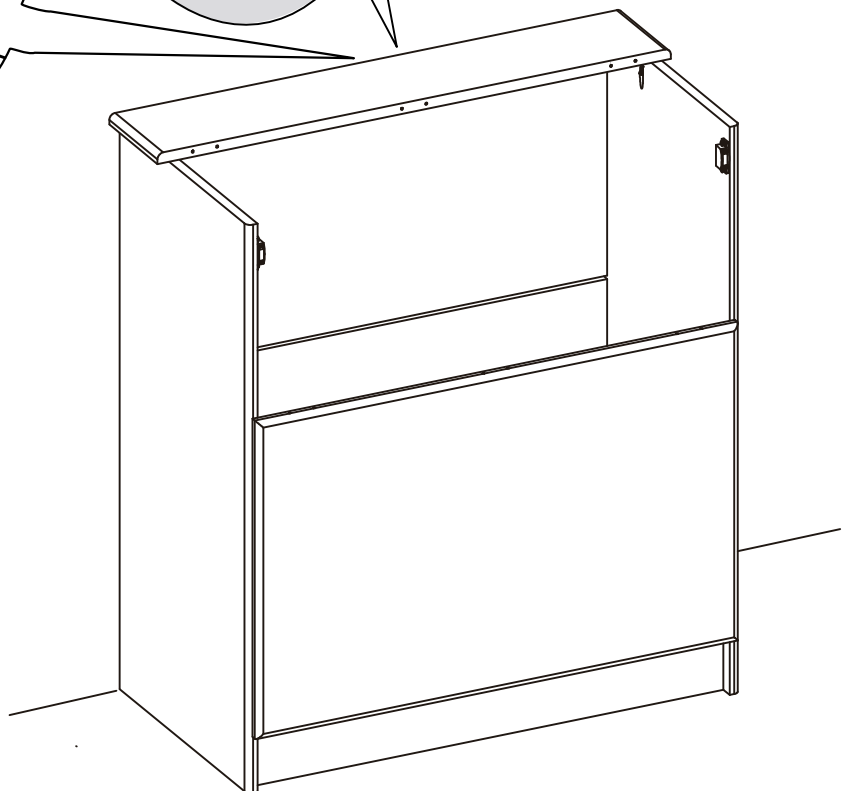
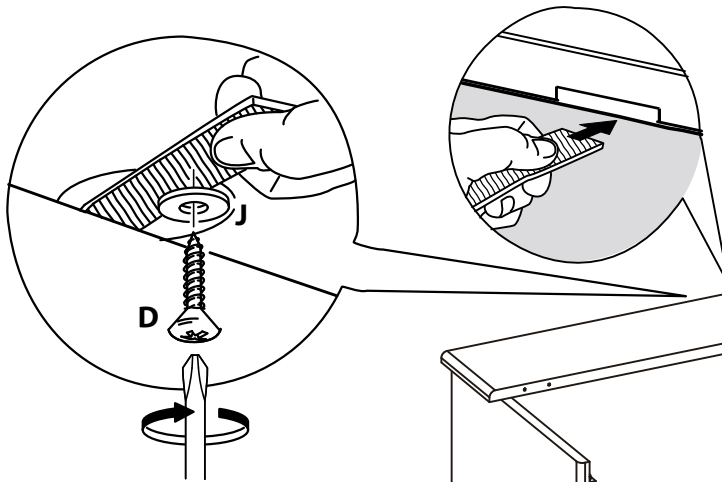
K=01



J=01



# 12



J=01

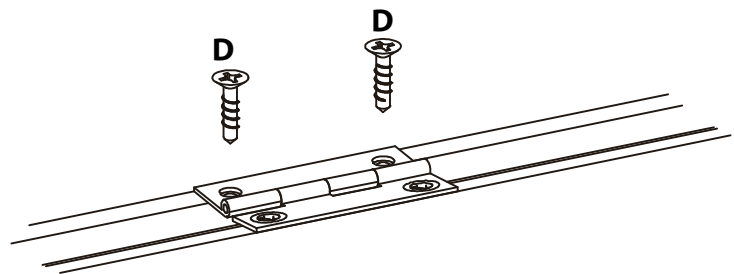
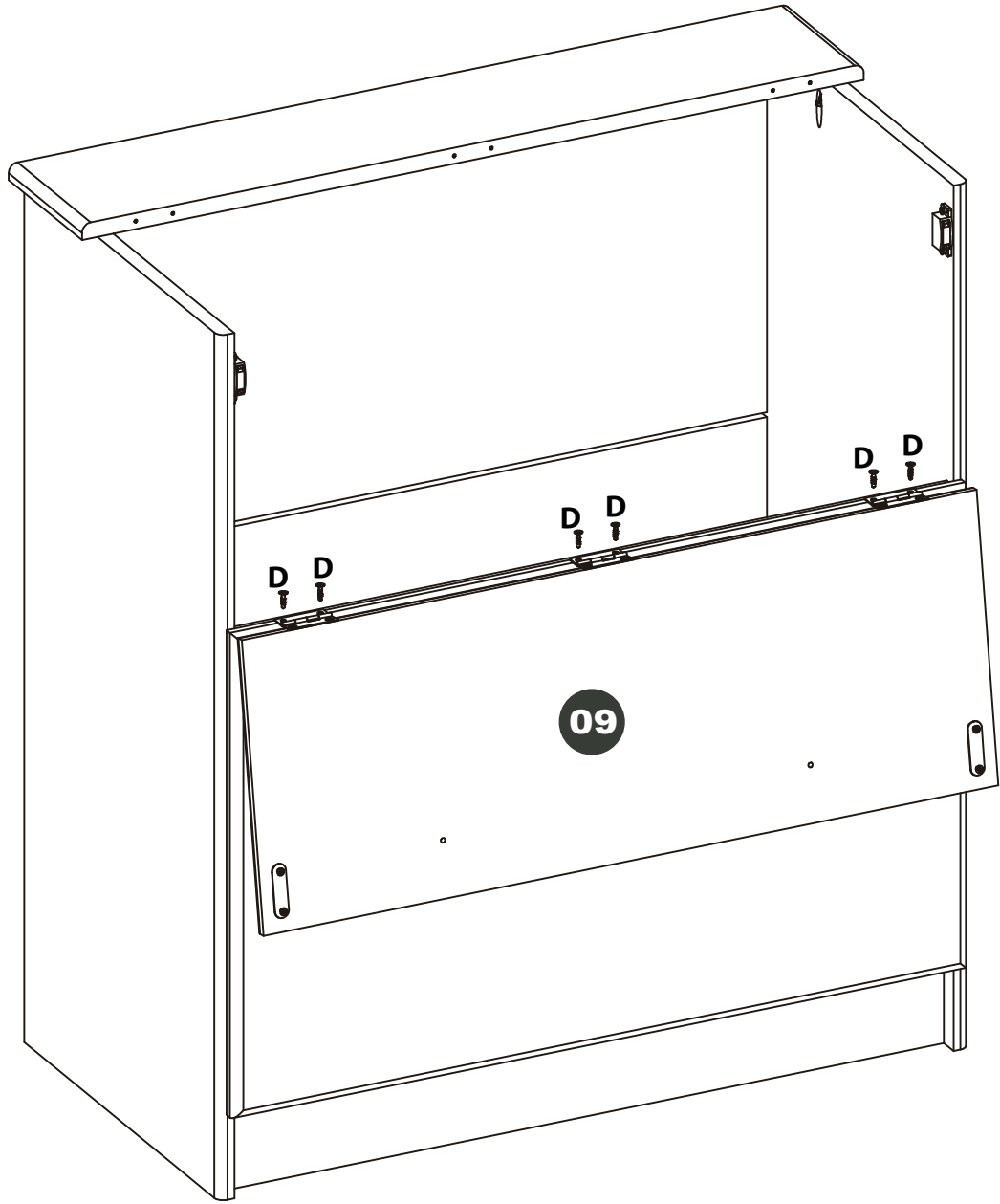


D=01




3,0x 16mm

**13**

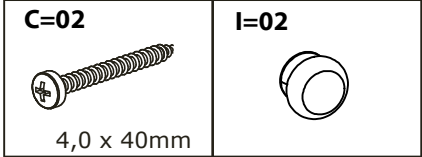
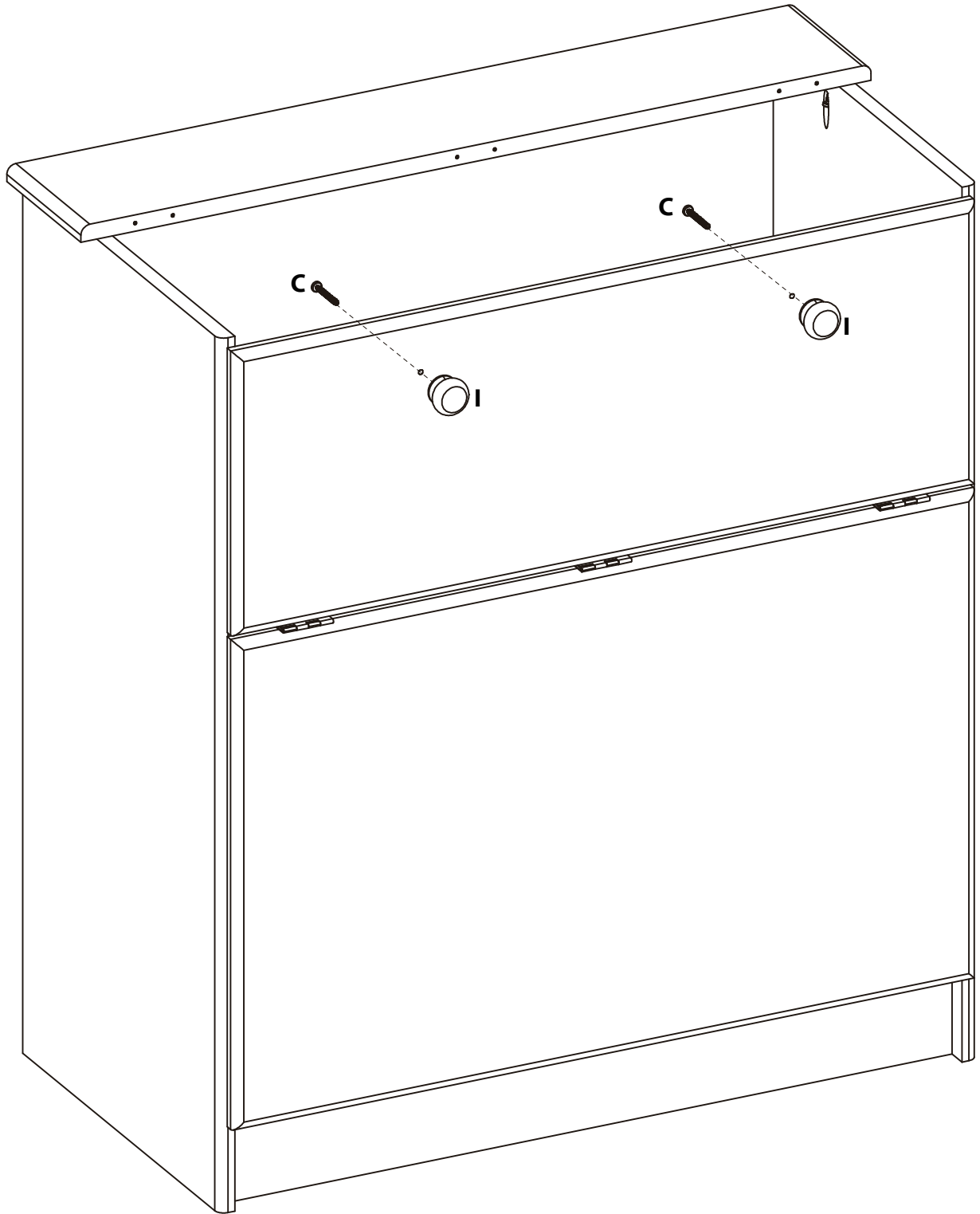


**D=06**

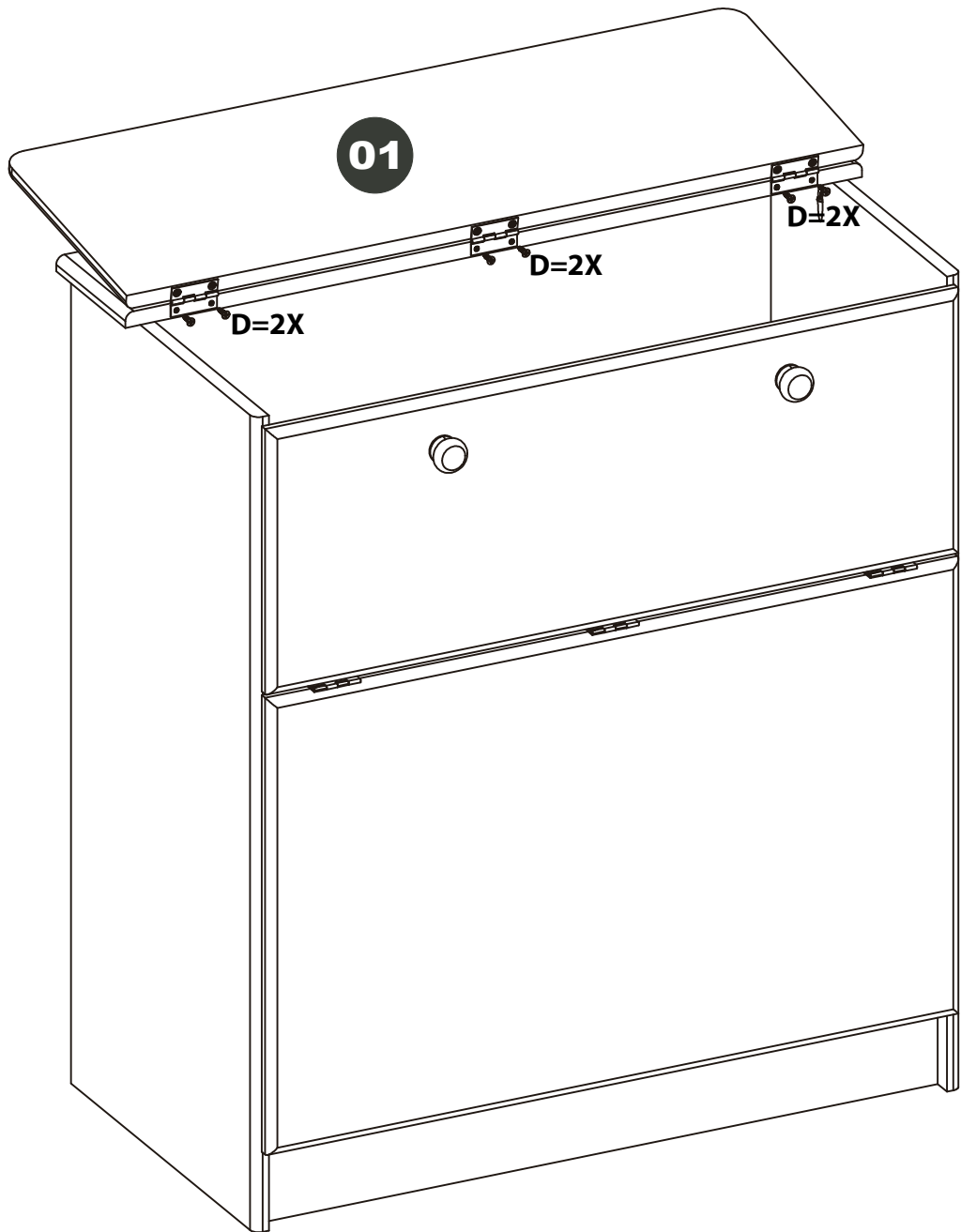
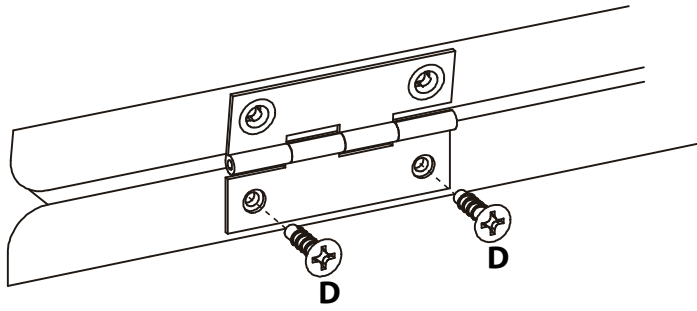


3,0x 16mm

**14**



**15**



**D=06**



3,0x 16mm