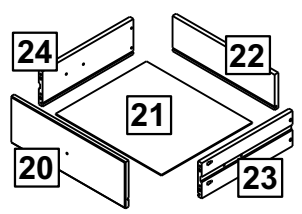
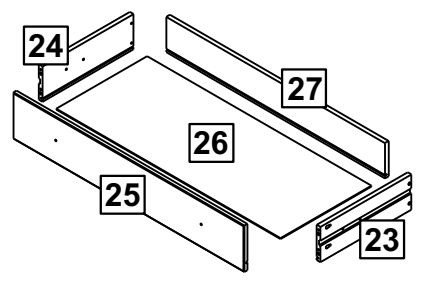

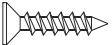
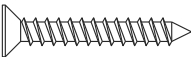
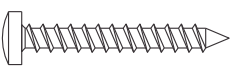

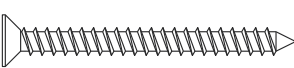
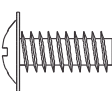
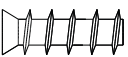
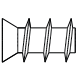
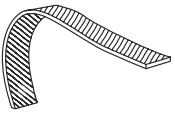


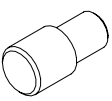
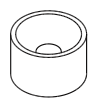
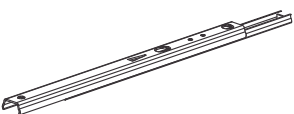


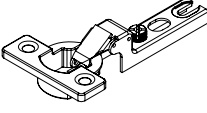
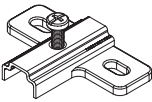
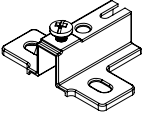

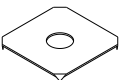
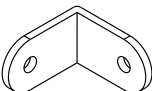


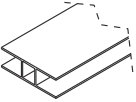
15x 18



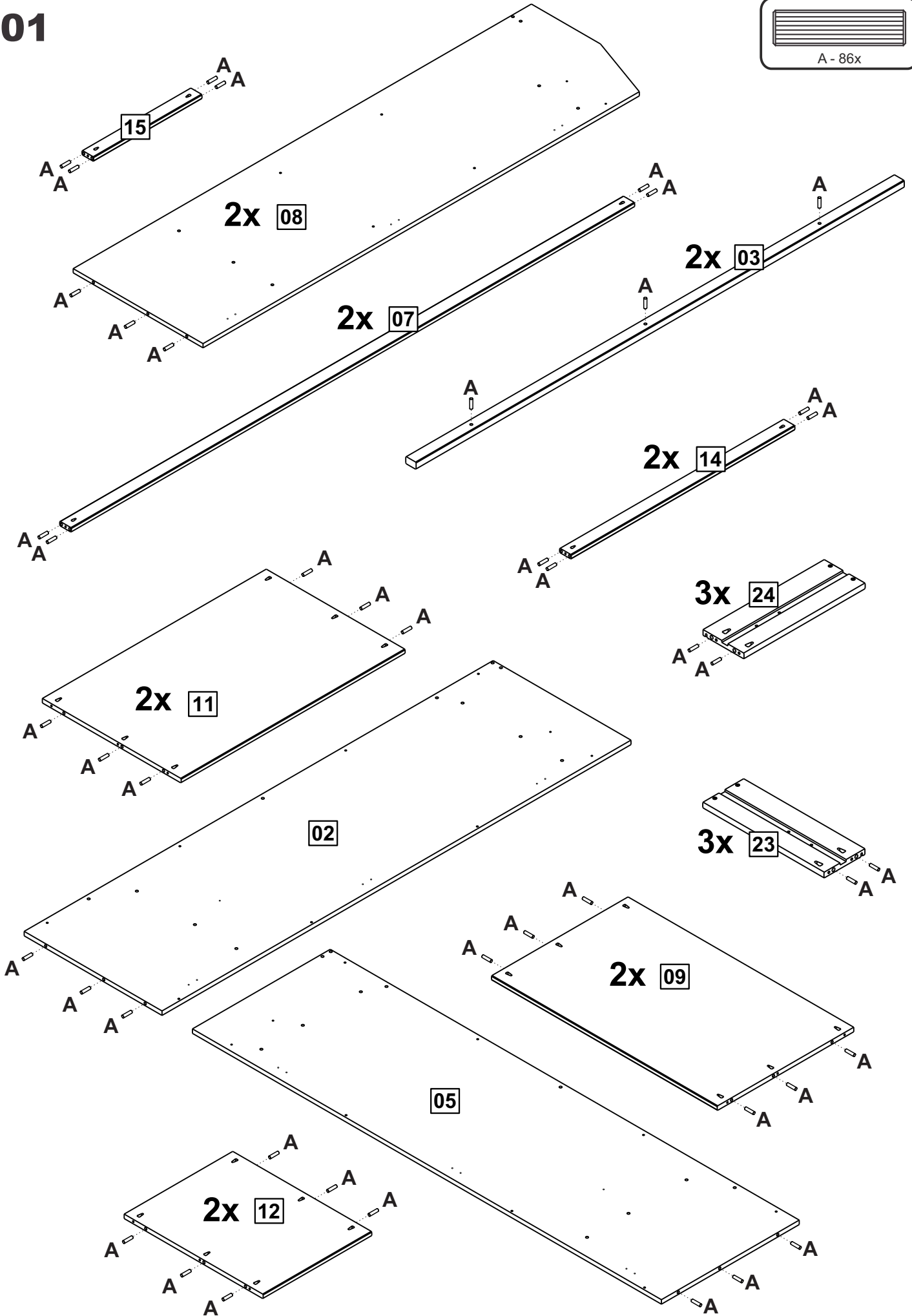
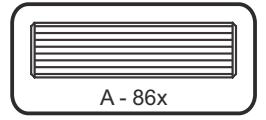
2x



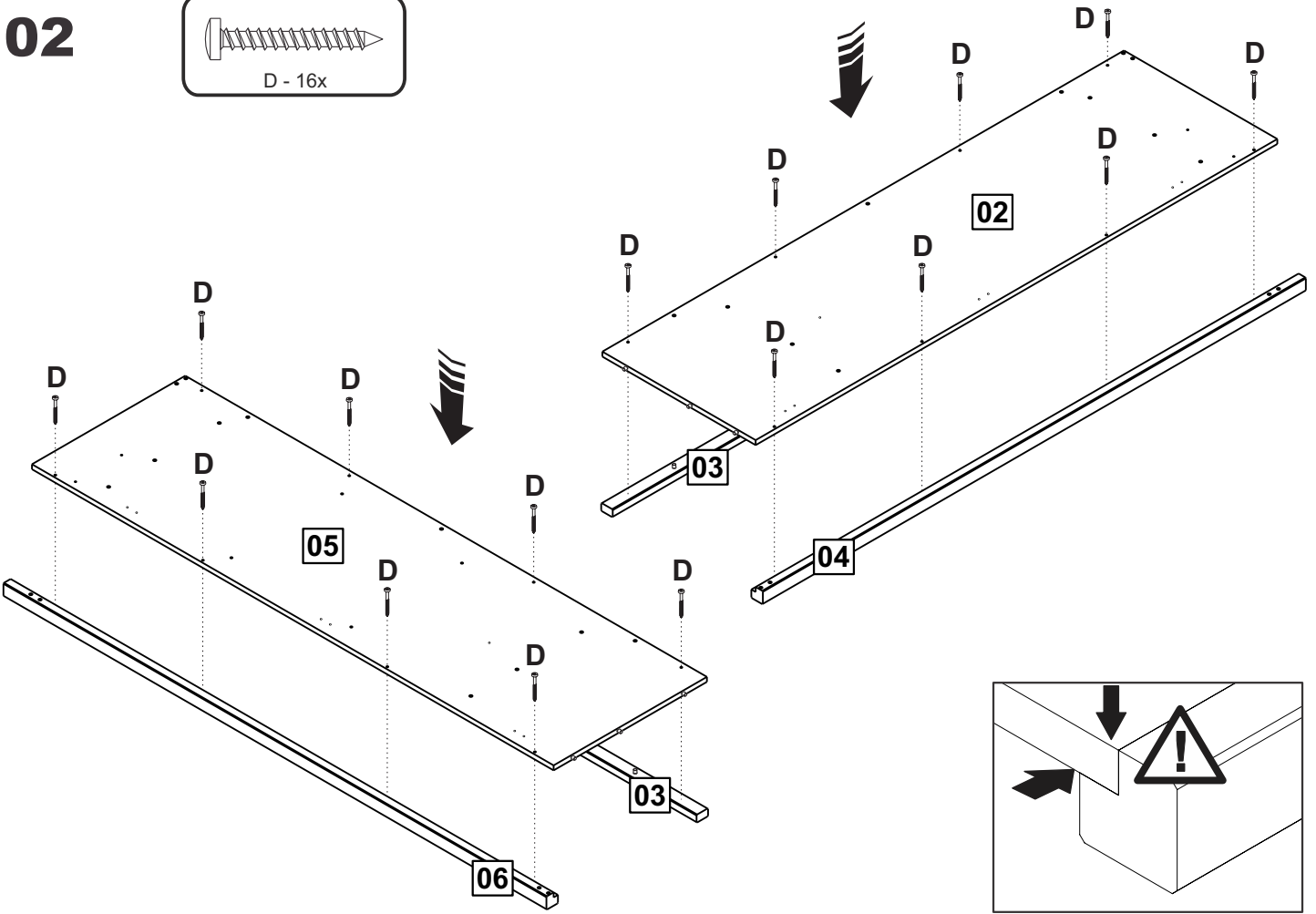
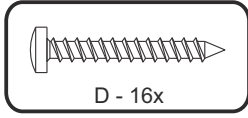
A	 8,0x30	86
B	 3,5x14	122
C	 4,0x25	45
D	 4,0x30	96
E	 3,5x20	06
F	 4,0x40	12
G	 4,0x12	06
H	 6,0x20	04
J	 6,0x08	08
K		02
L		04
M		10
N		08
O		04
P		06

Q		15
R		09
S		06
T		80
U		20
V		04
W		04
X		10
Y		02

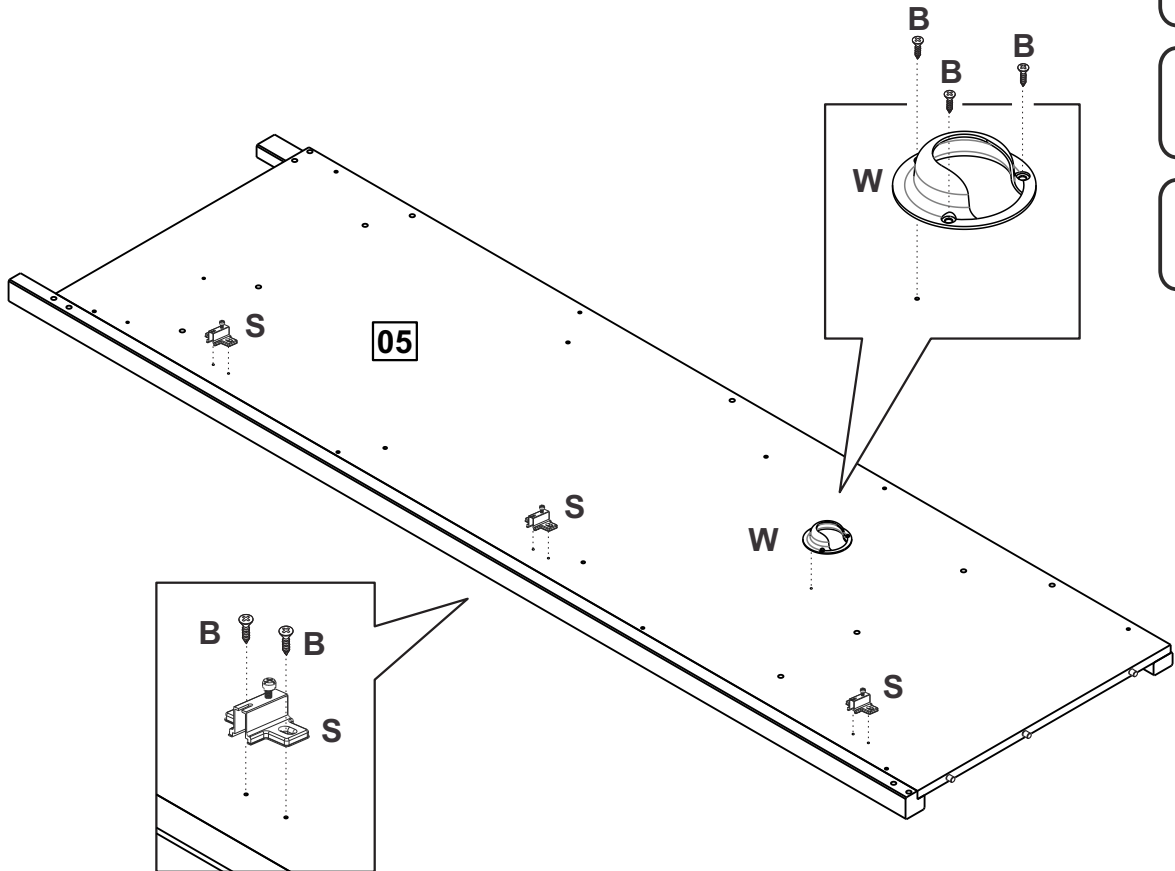
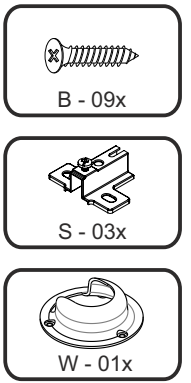
01



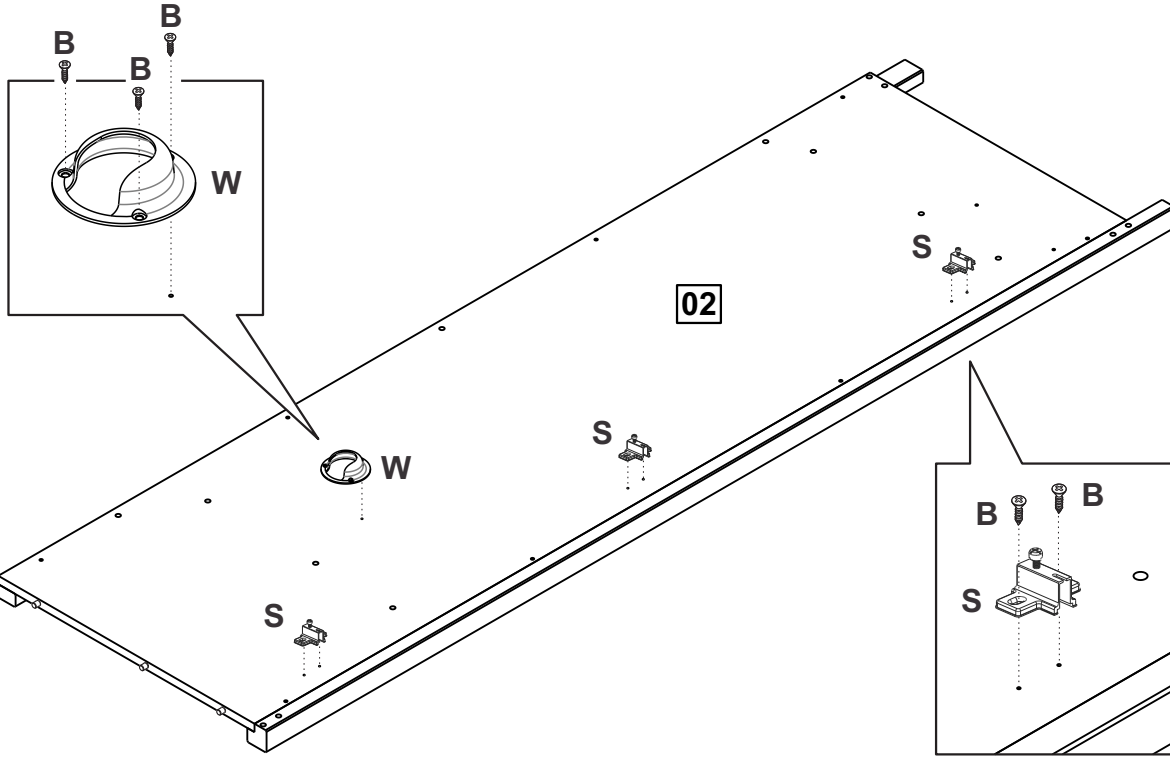
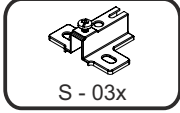
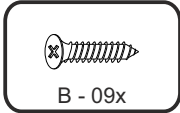
02



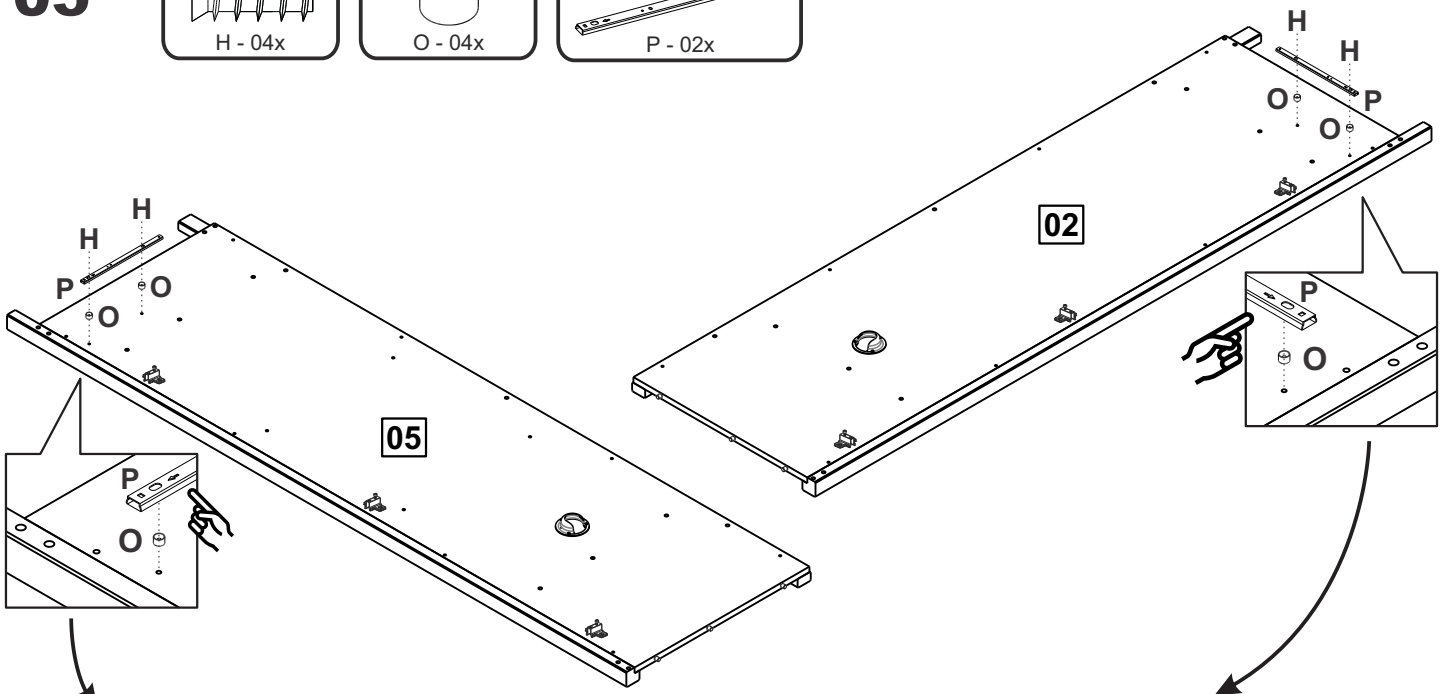
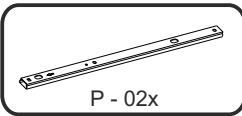
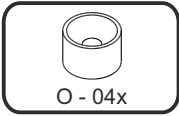
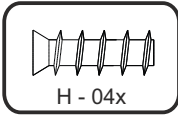
03



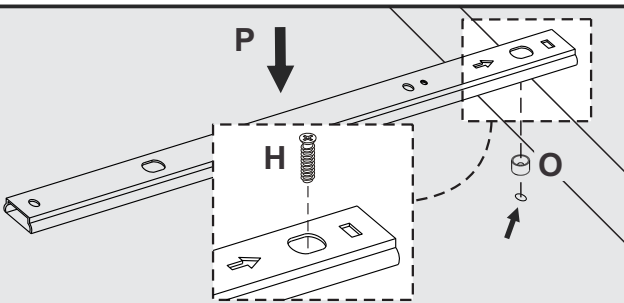
04



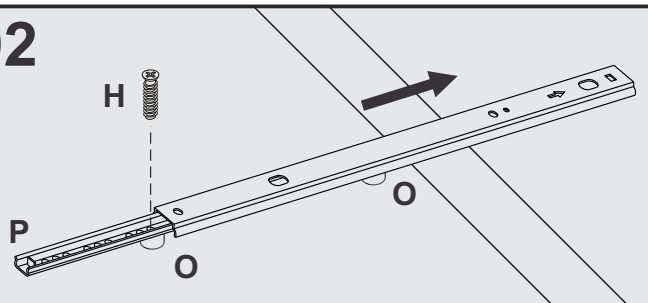
05



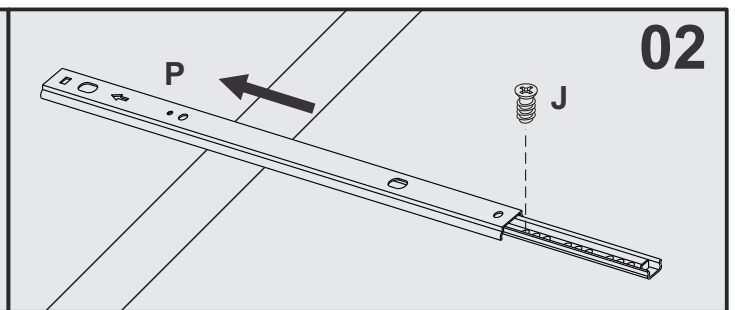
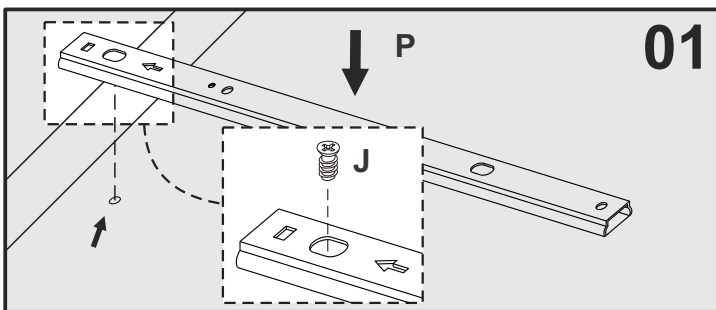
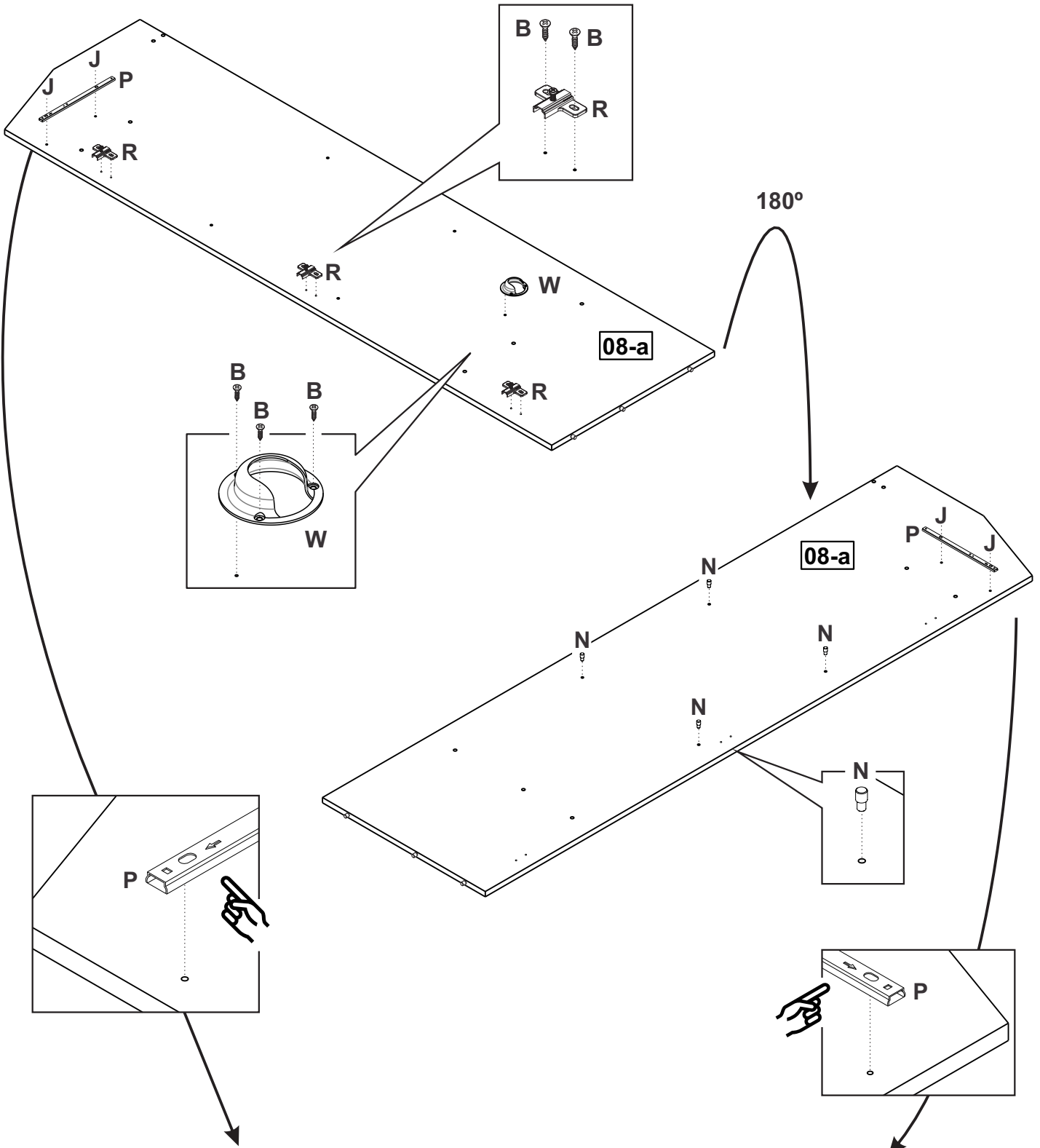
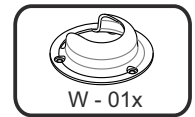
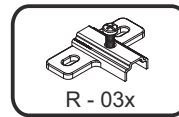
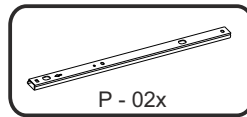
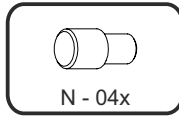
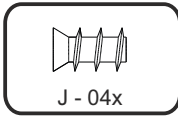
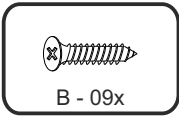
01



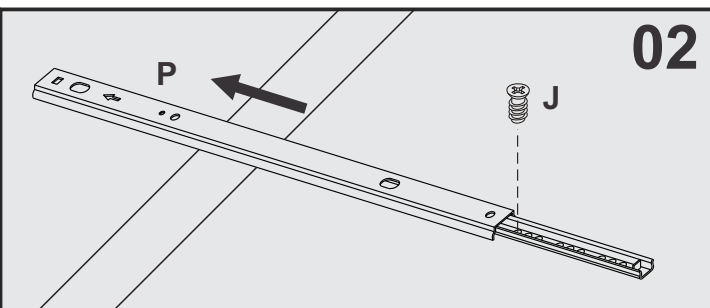
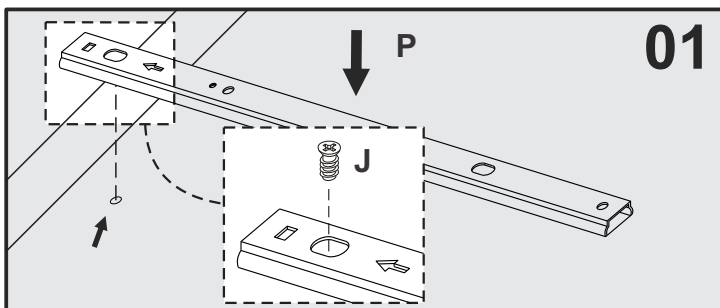
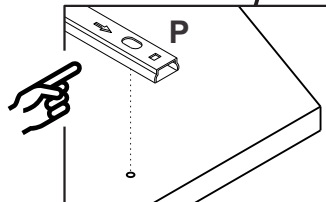
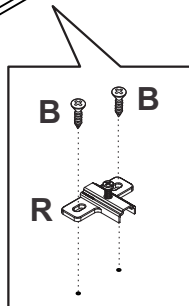
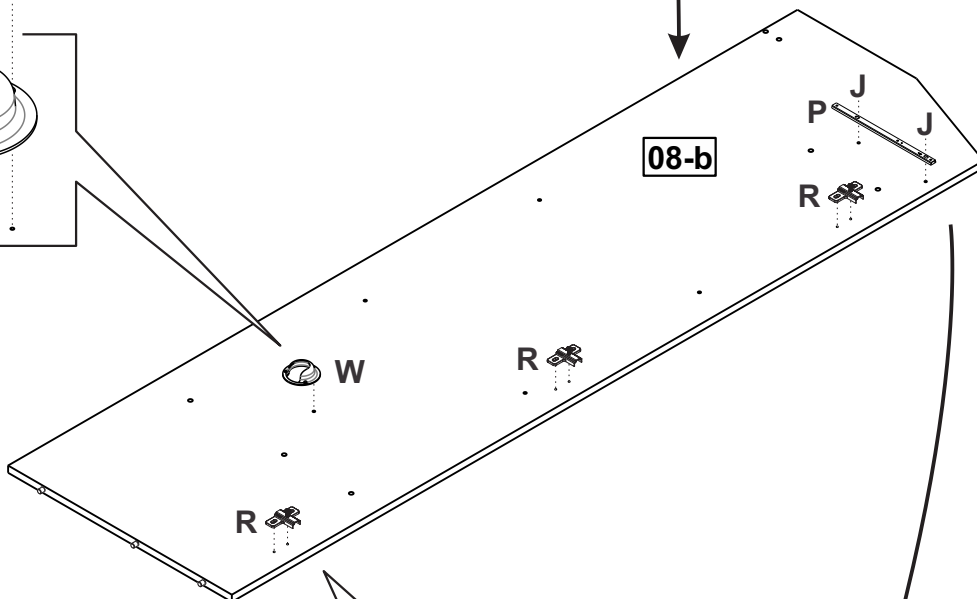
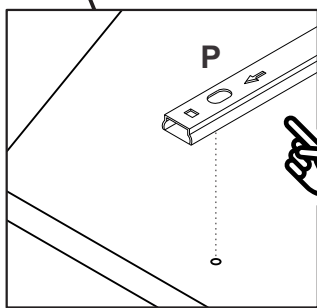
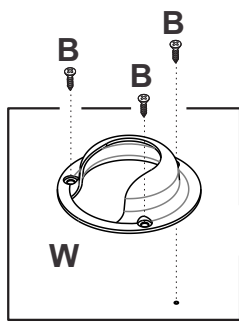
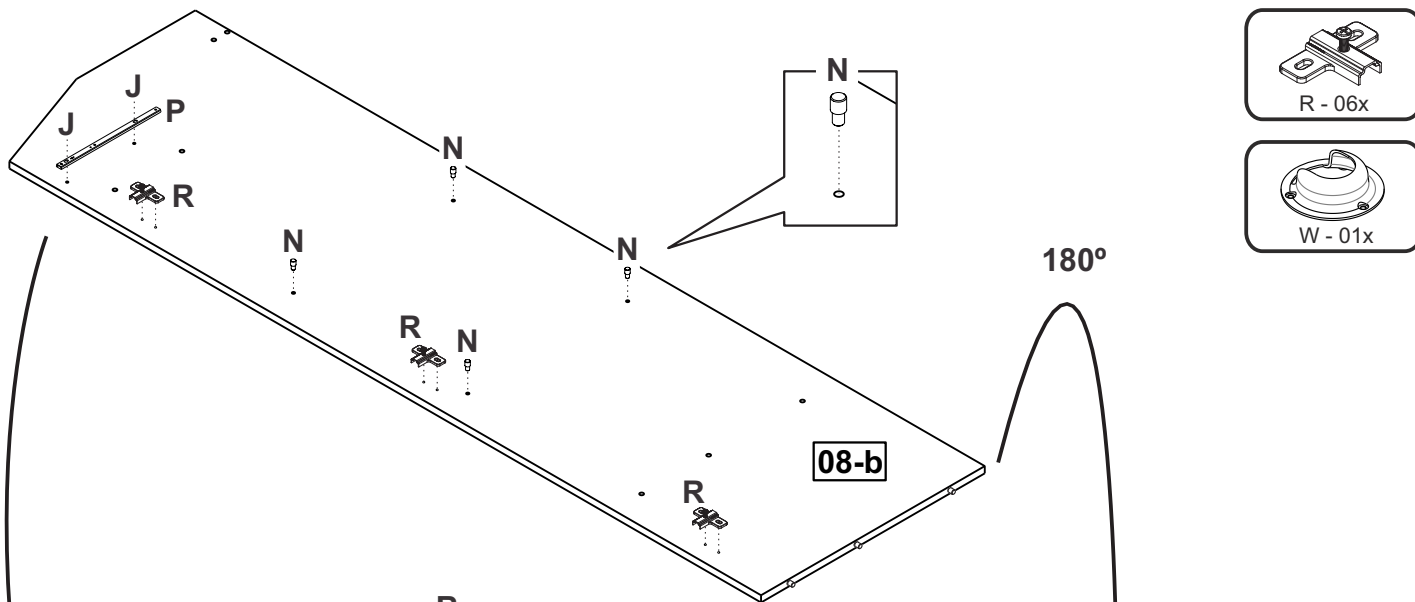
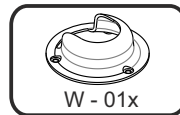
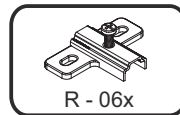
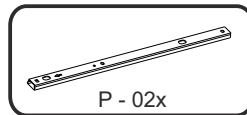
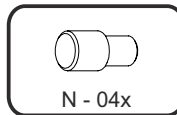
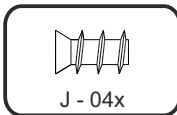
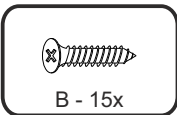
02



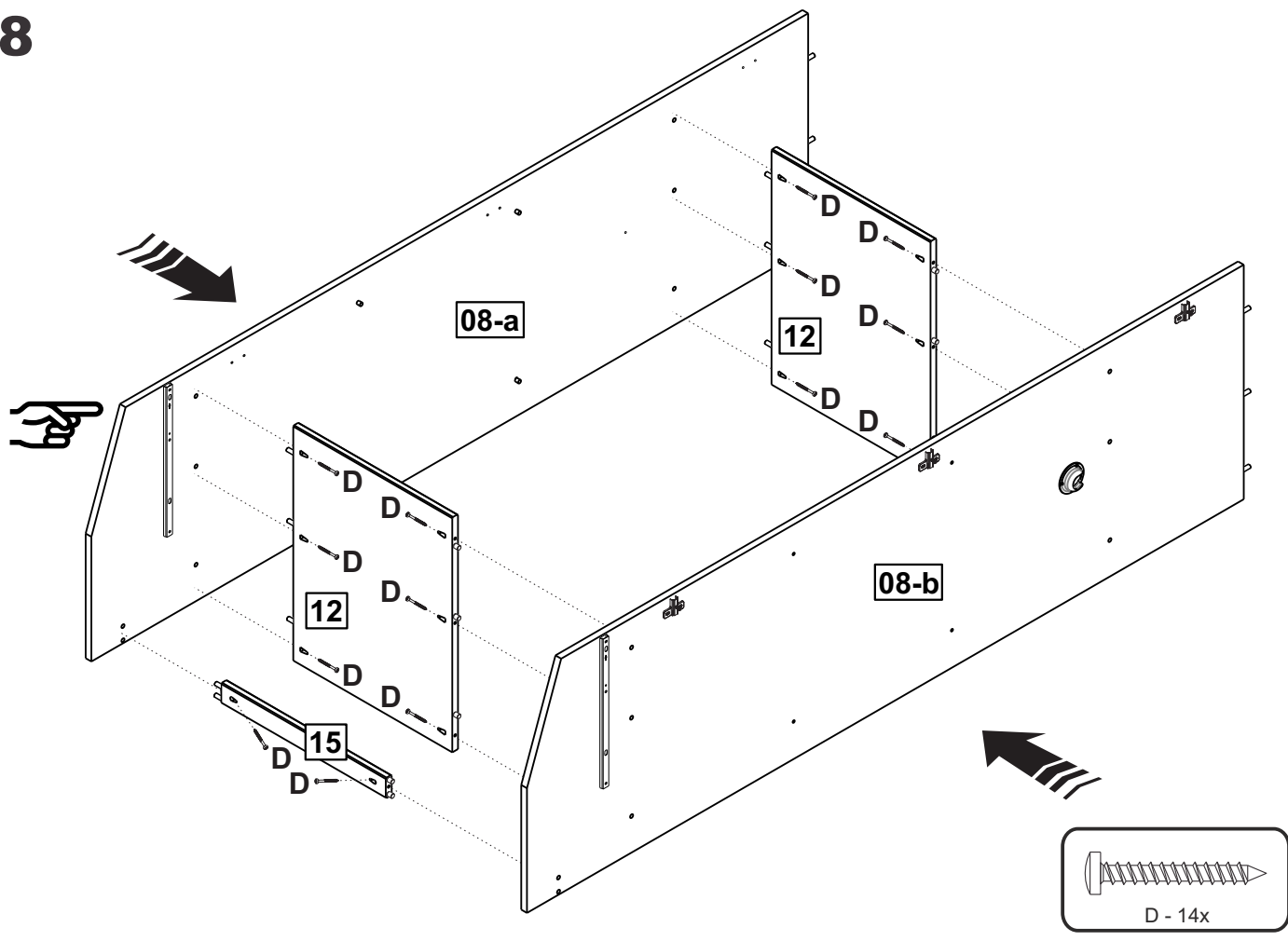
06



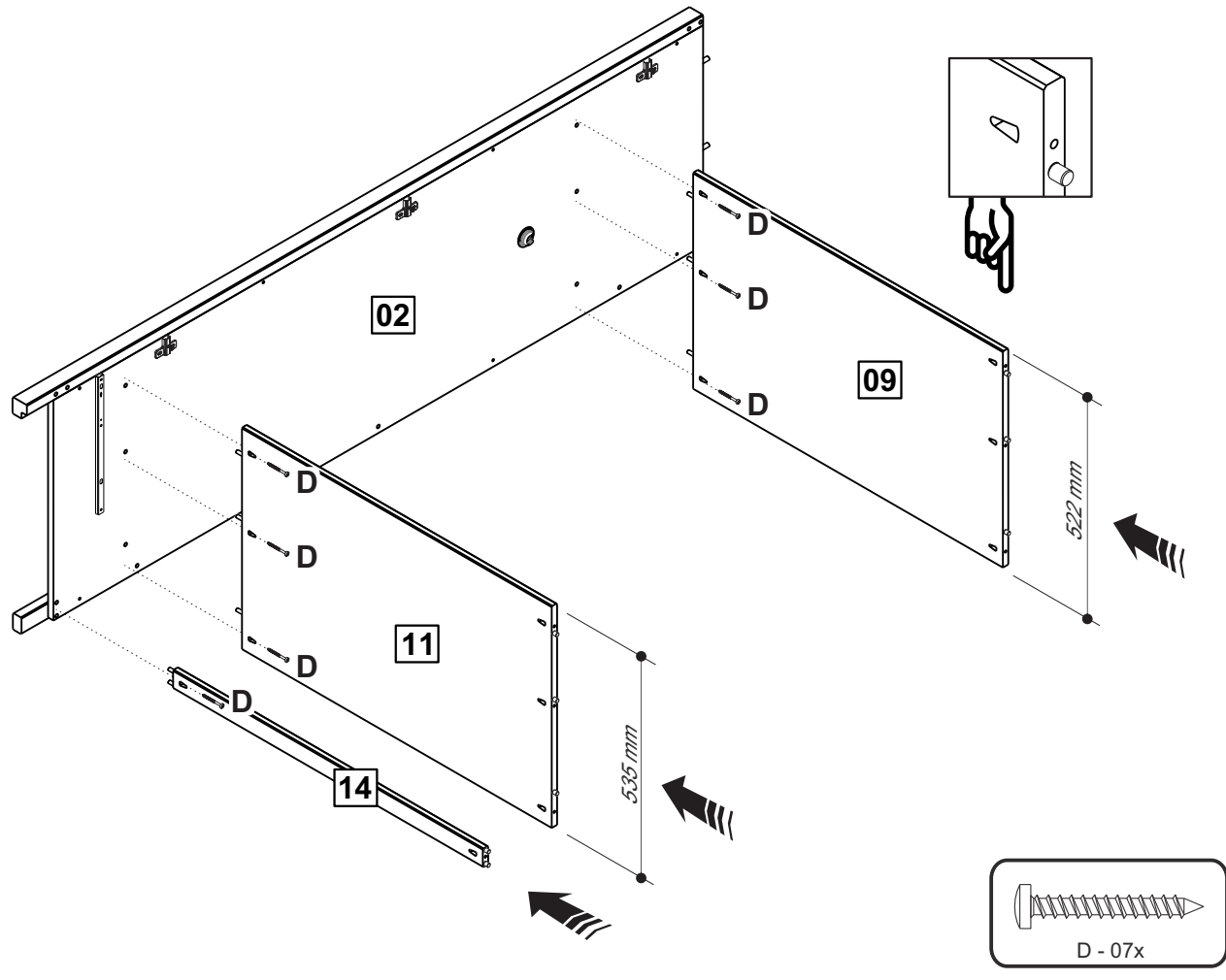
07



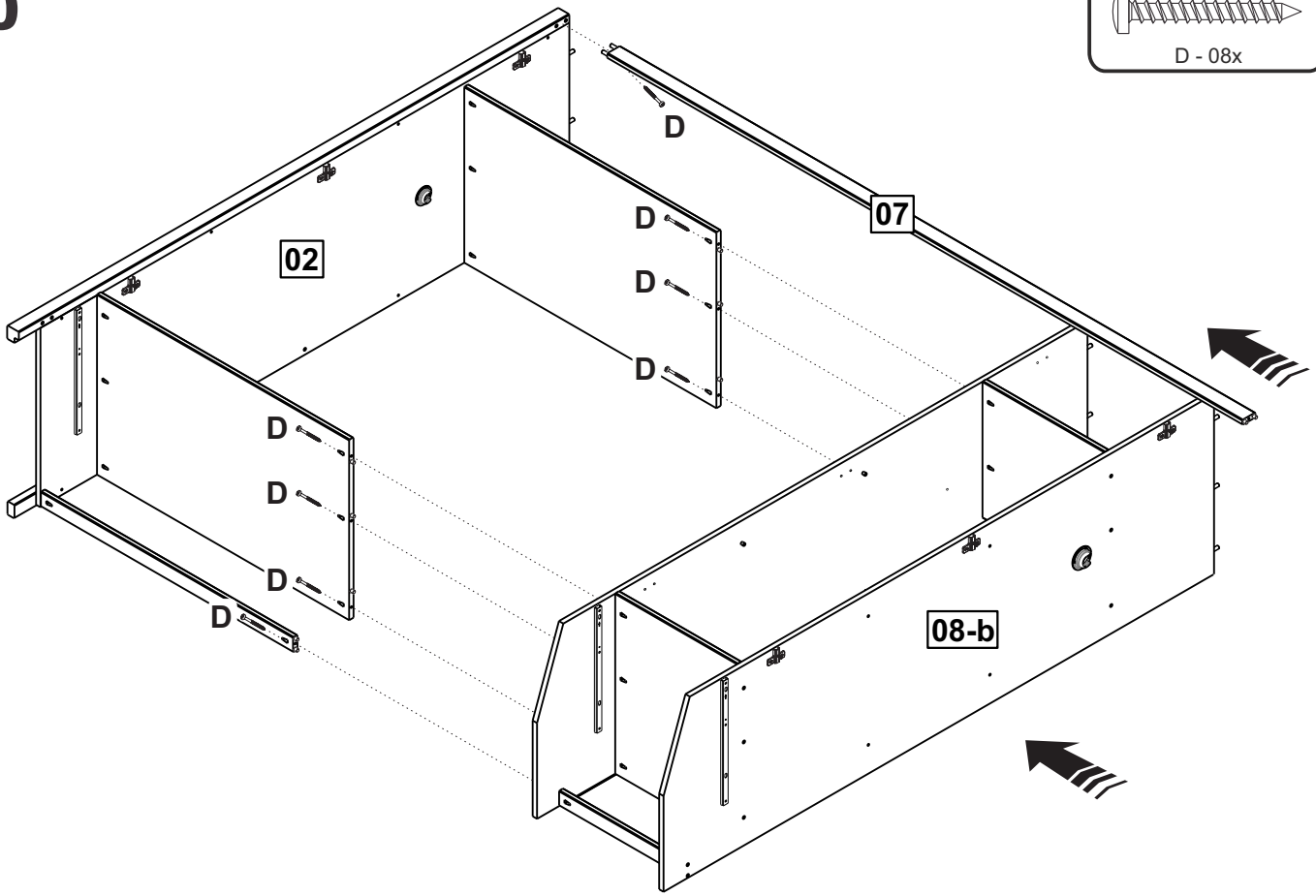
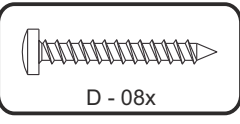
08



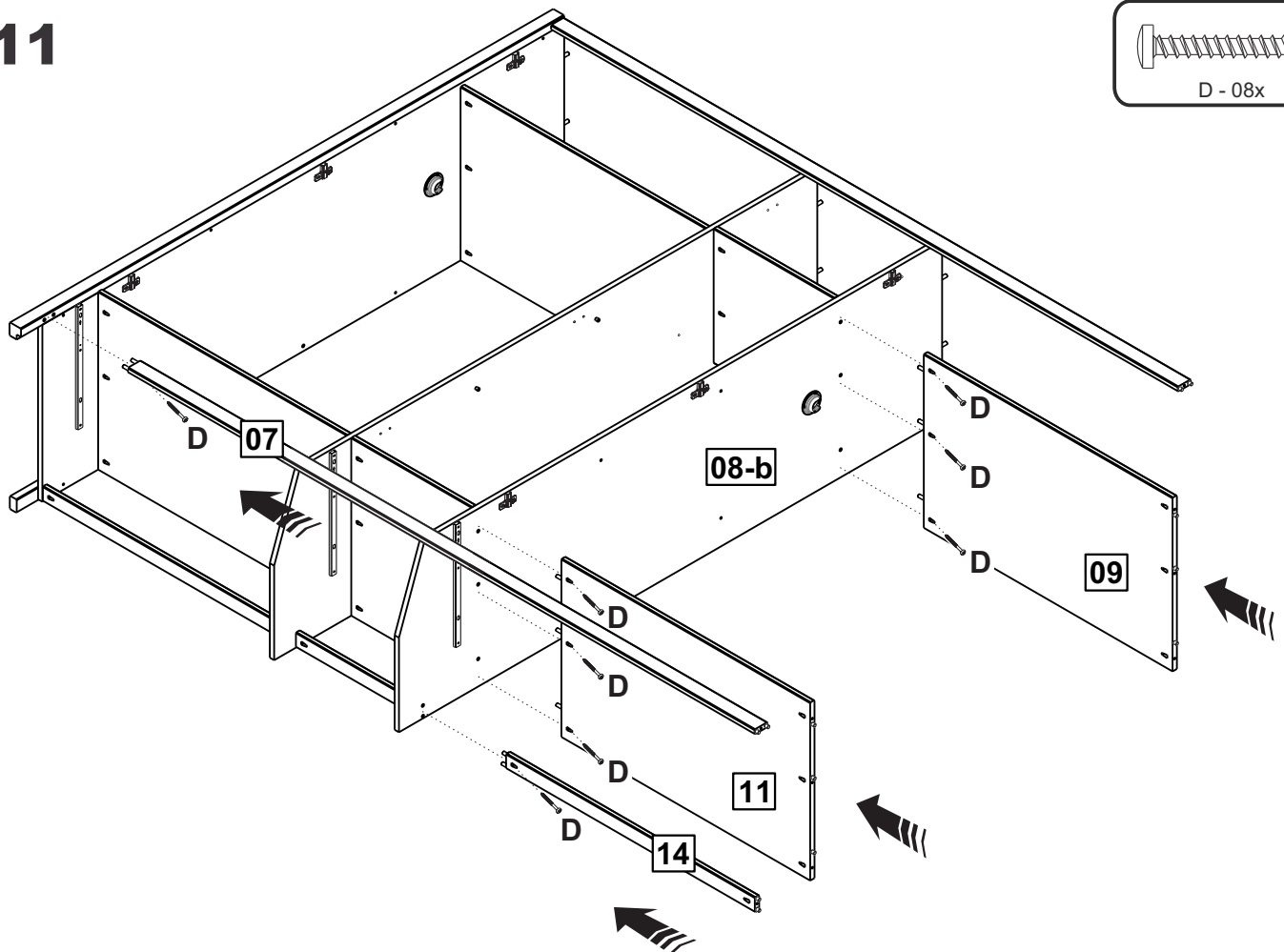
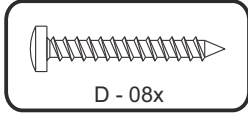
09



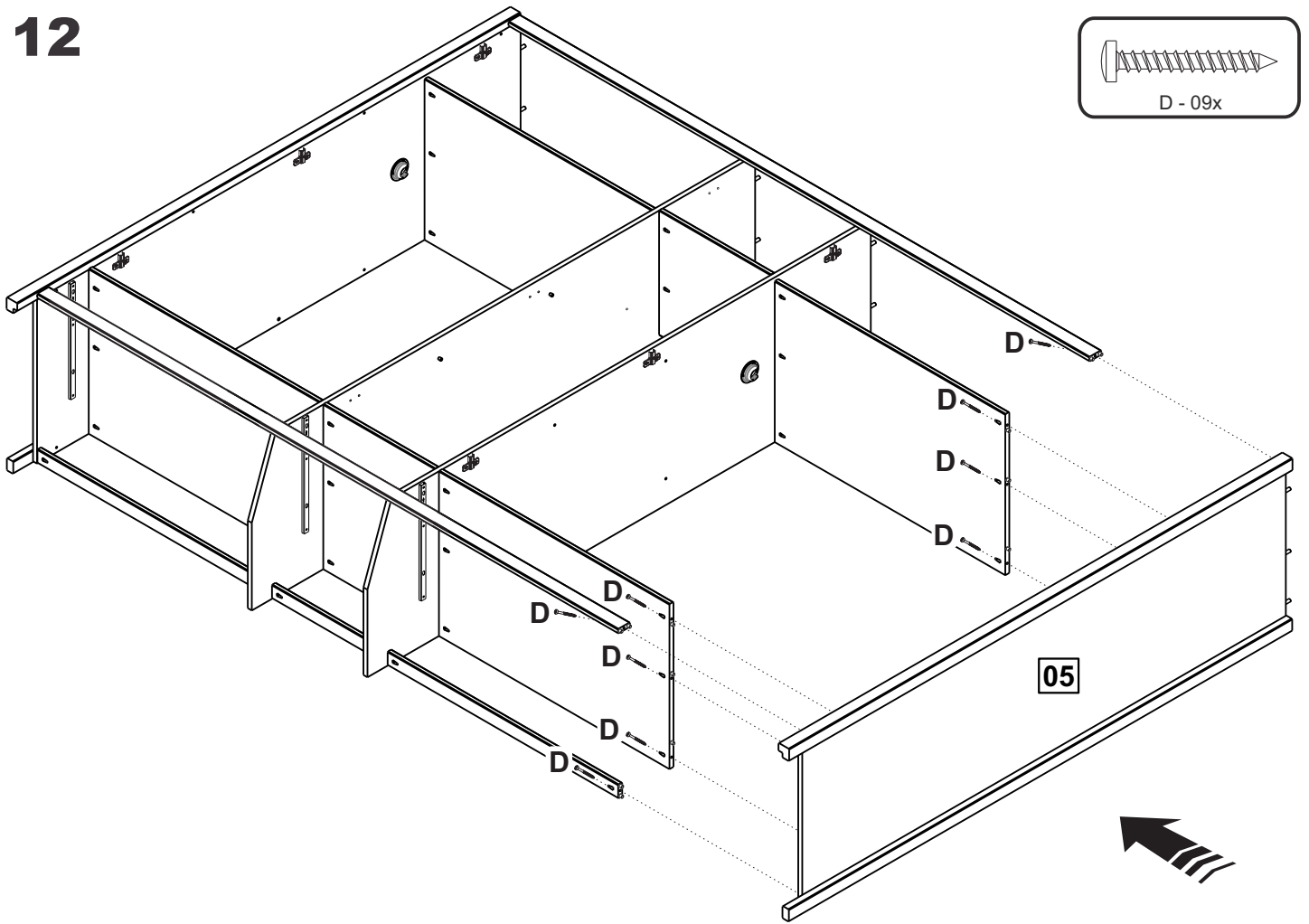
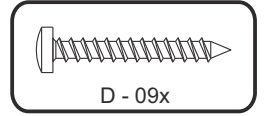
10



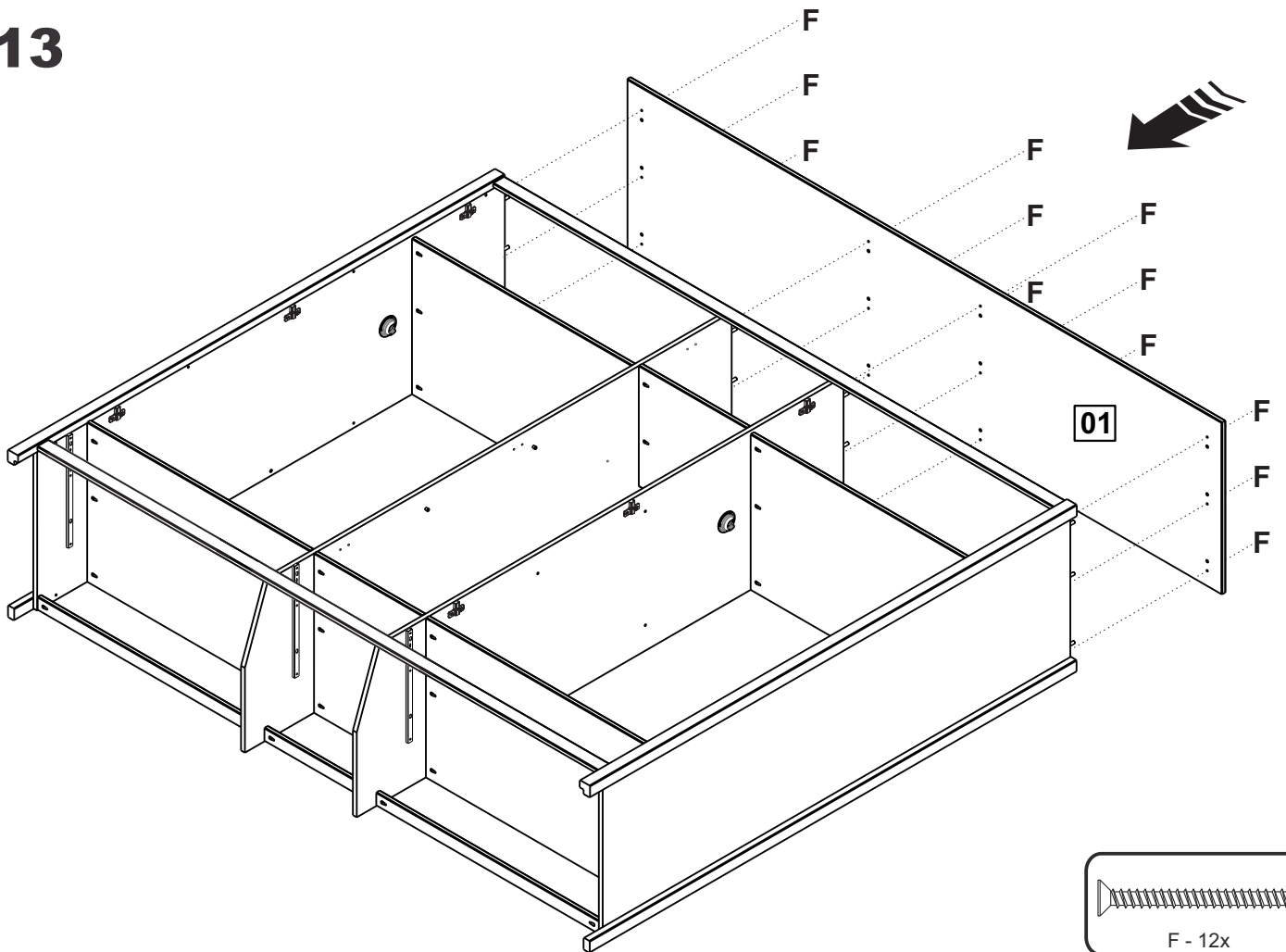
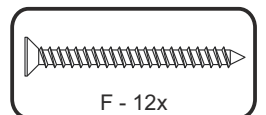
11



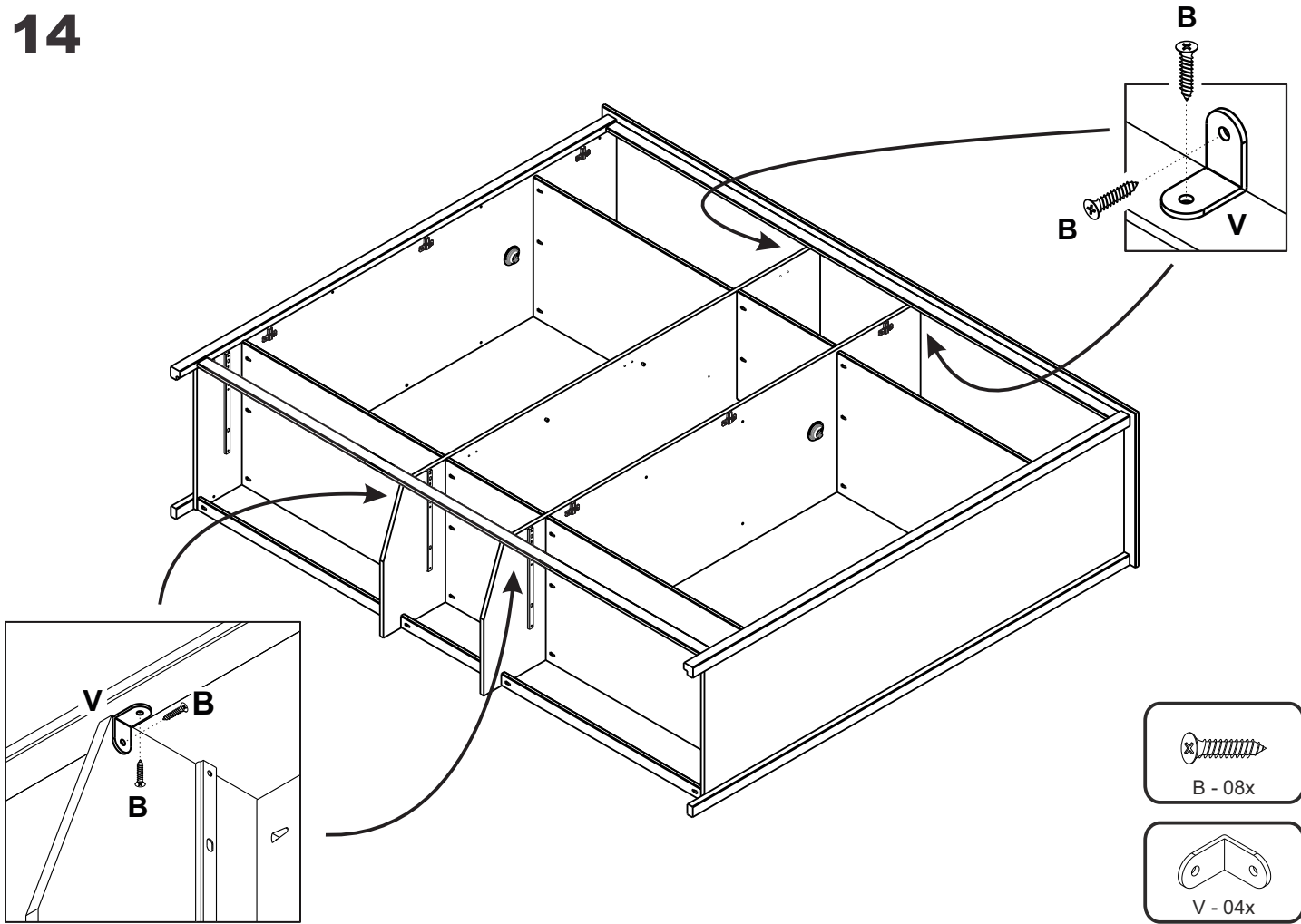
12



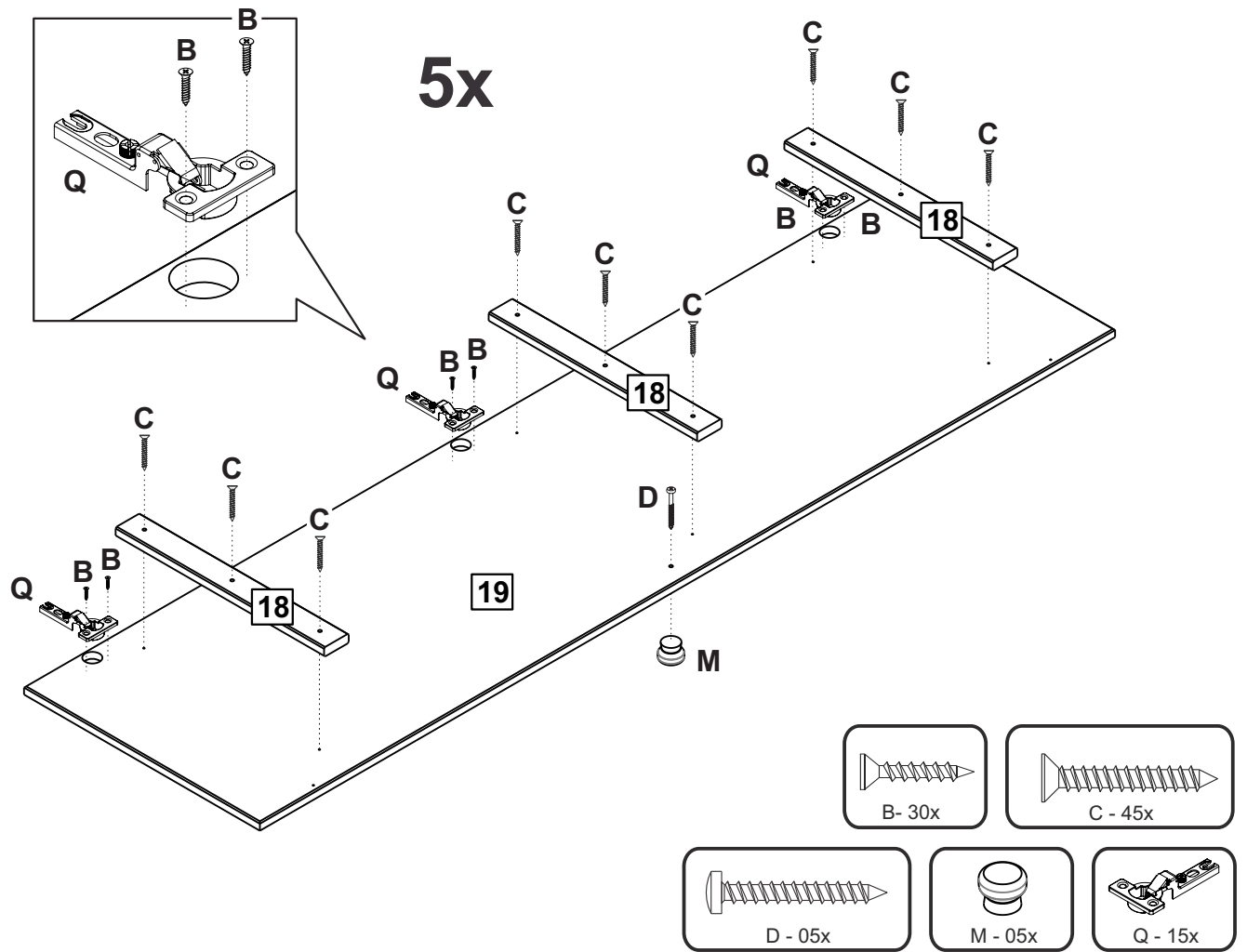
13



14

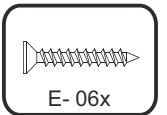
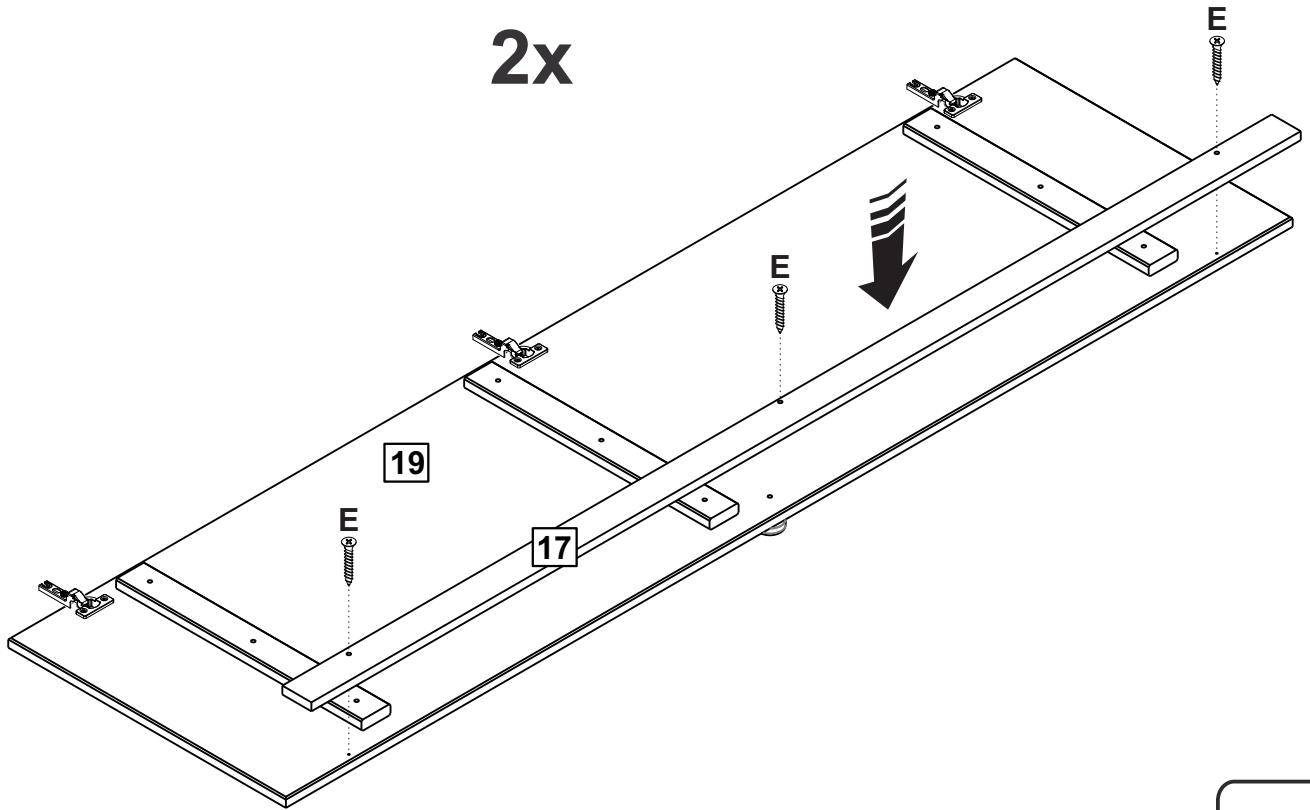


15

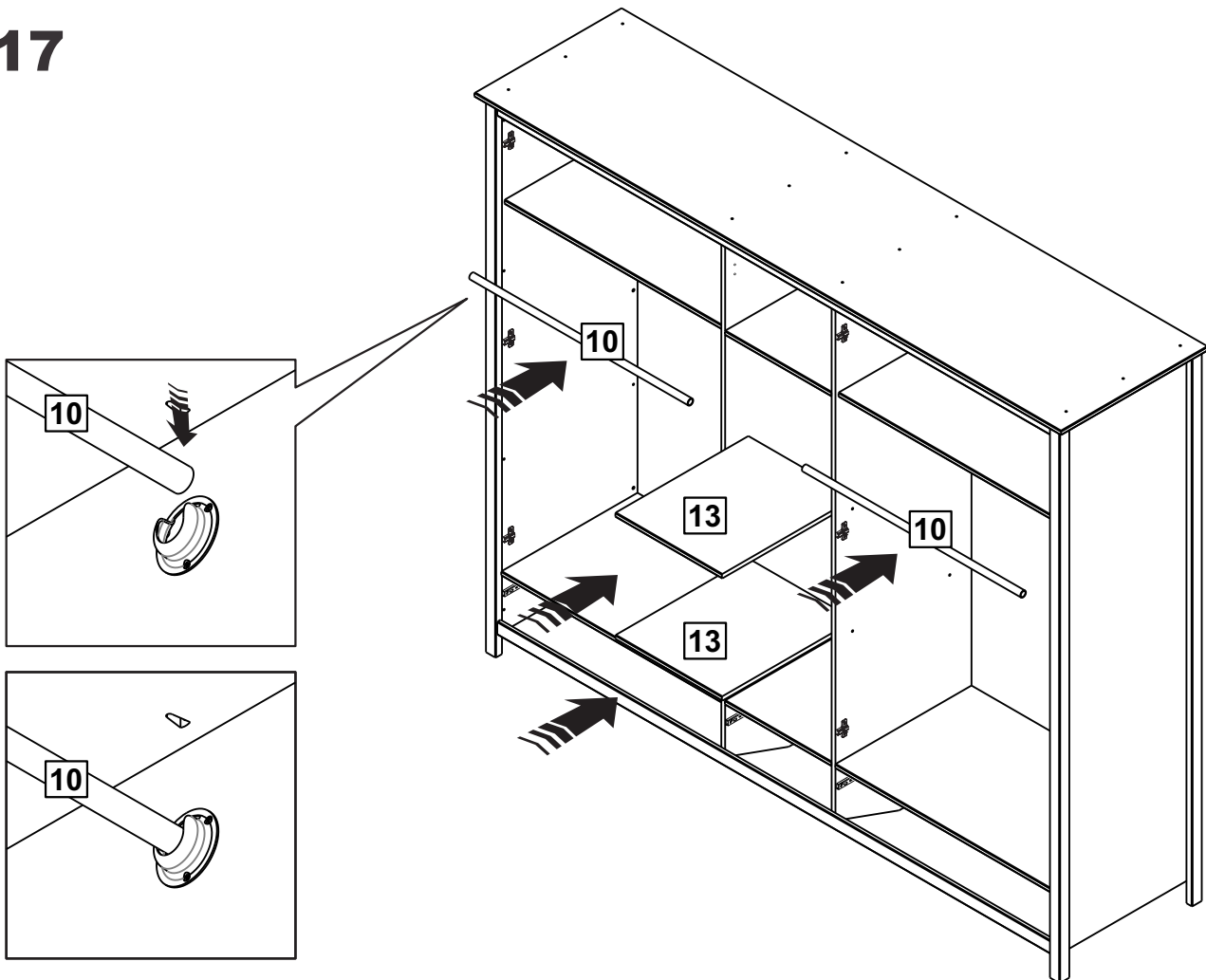


16

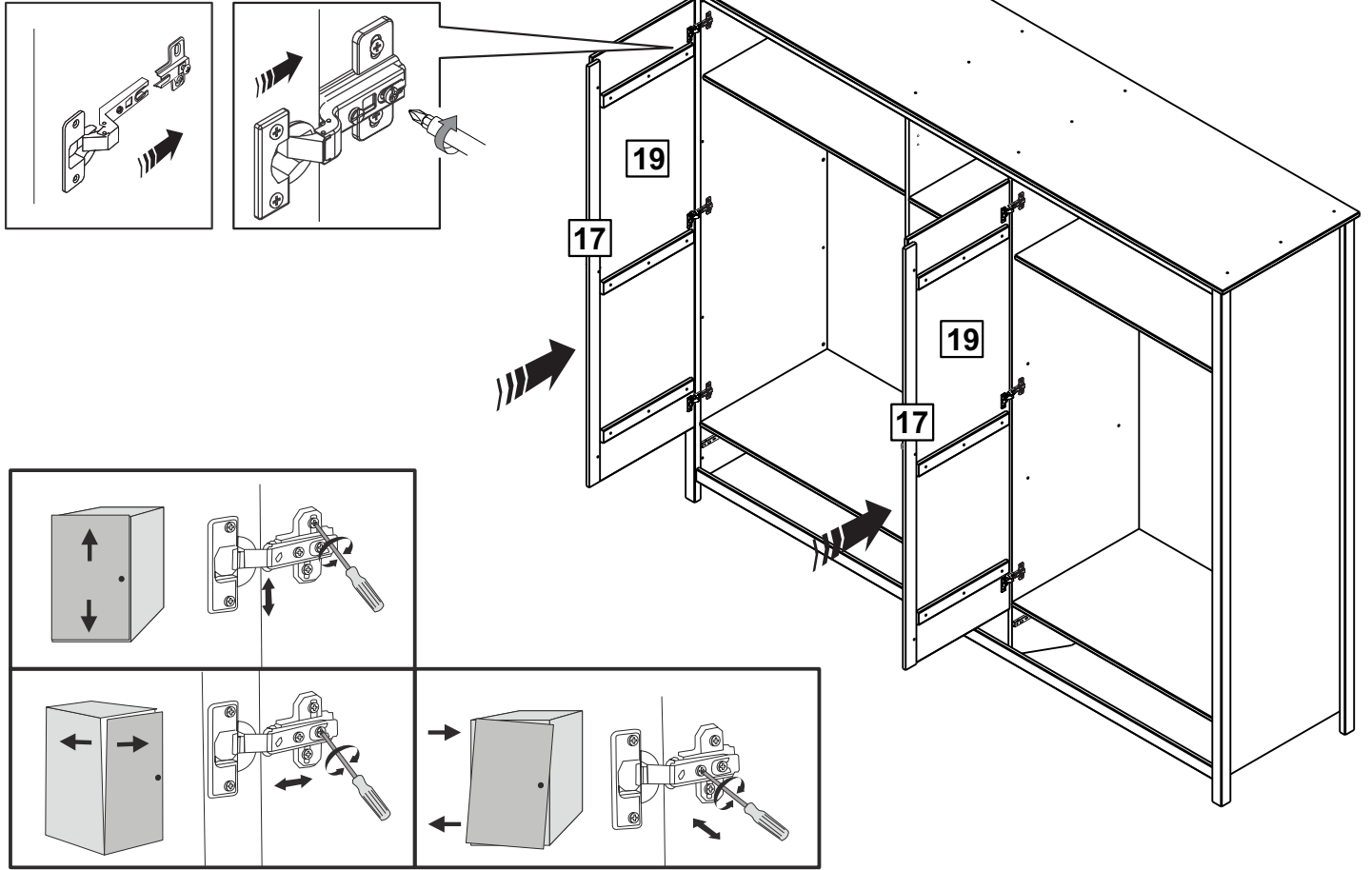
2x



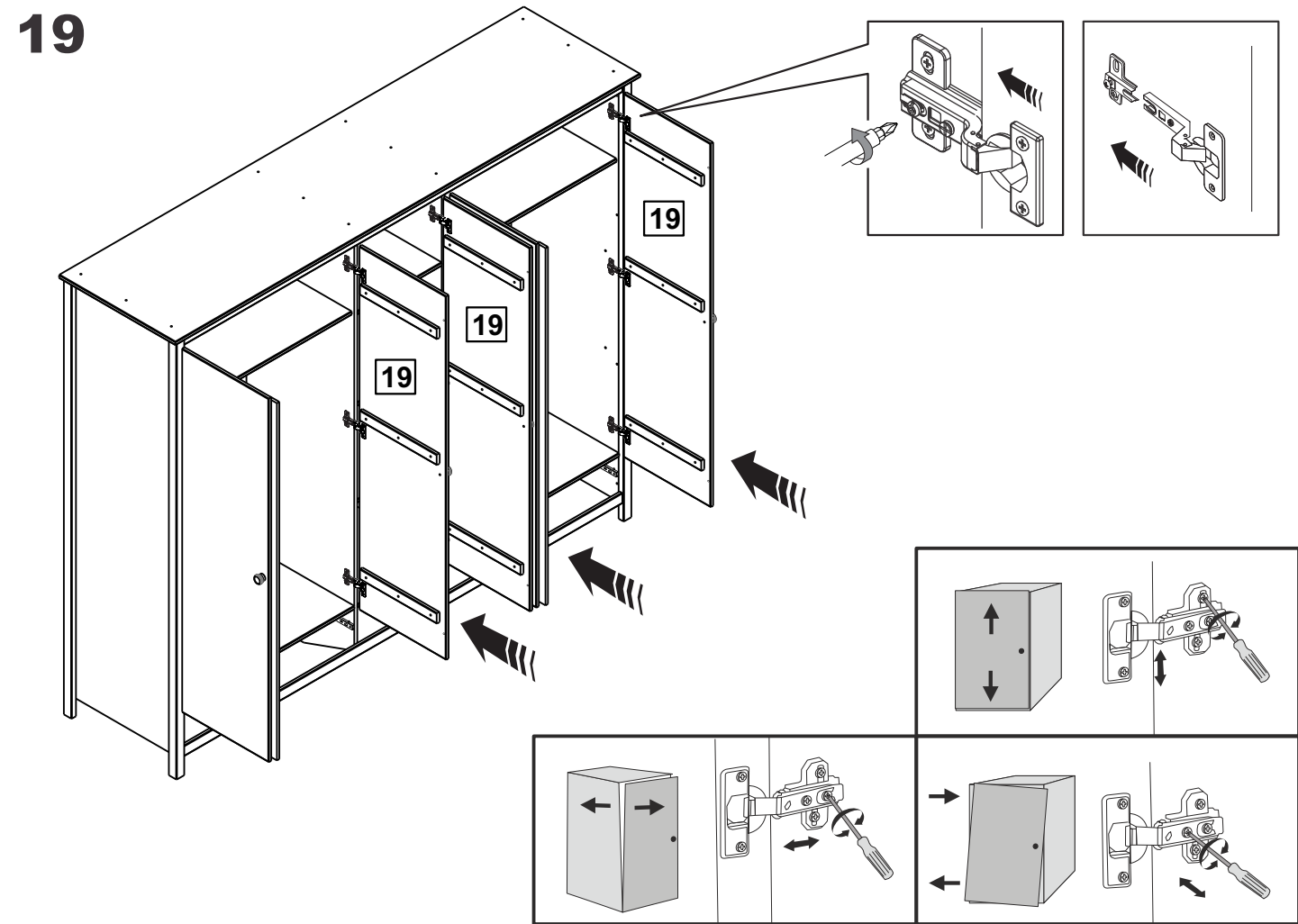
17



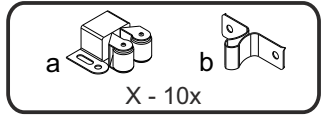
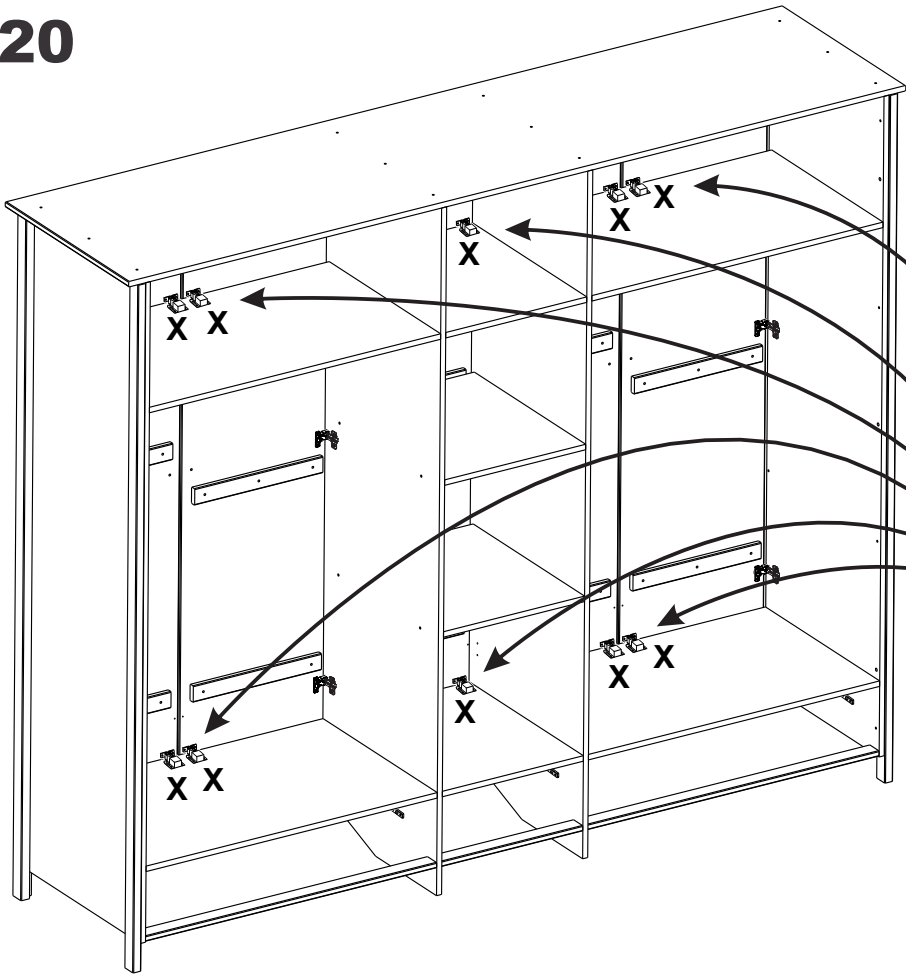
18



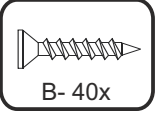
19



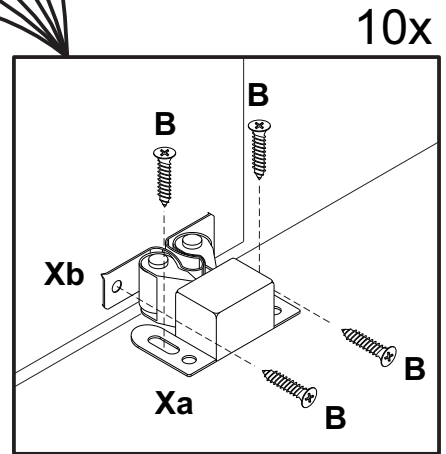
20



X - 10x

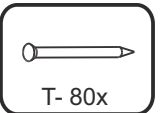
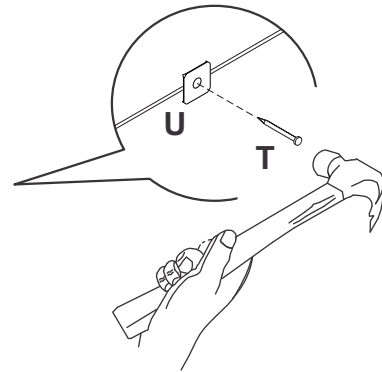
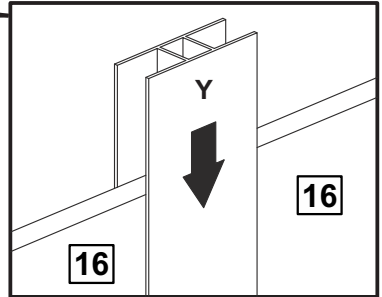
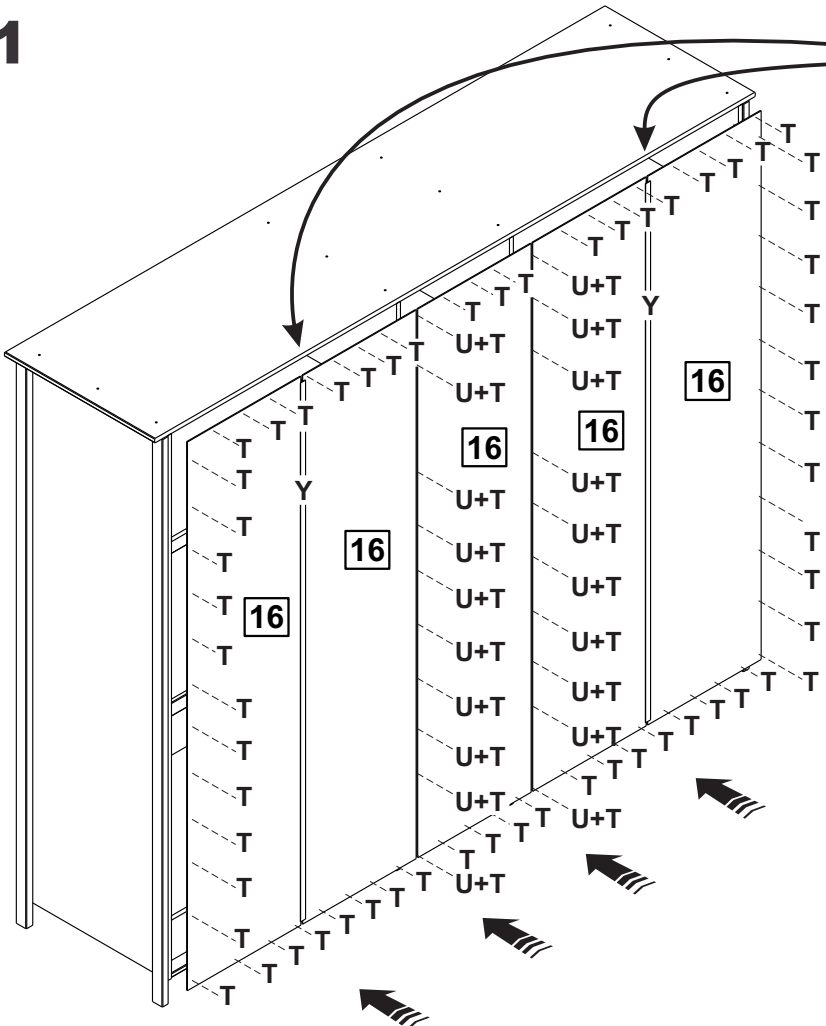


B- 40x

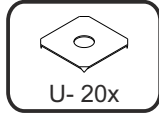


10x

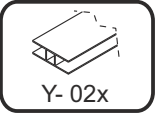
21



T- 80x

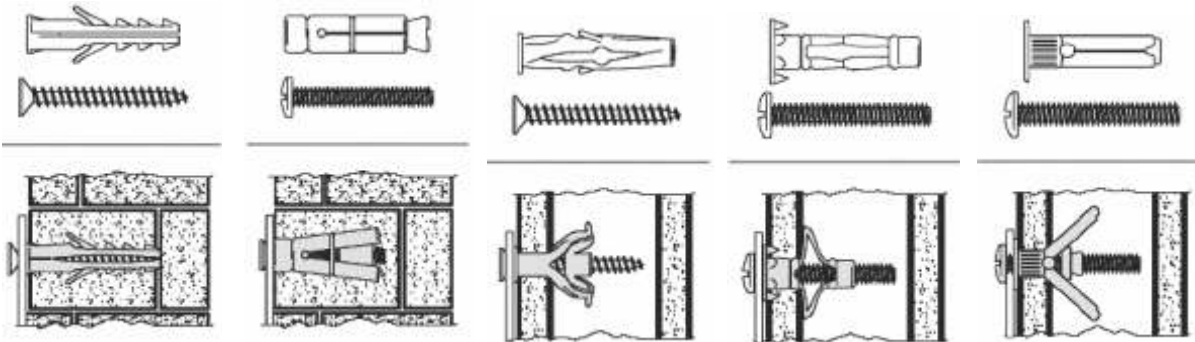
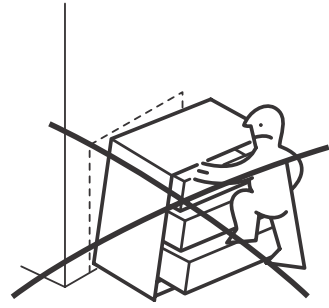
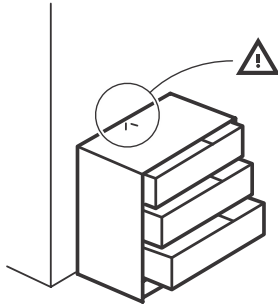


U- 20x

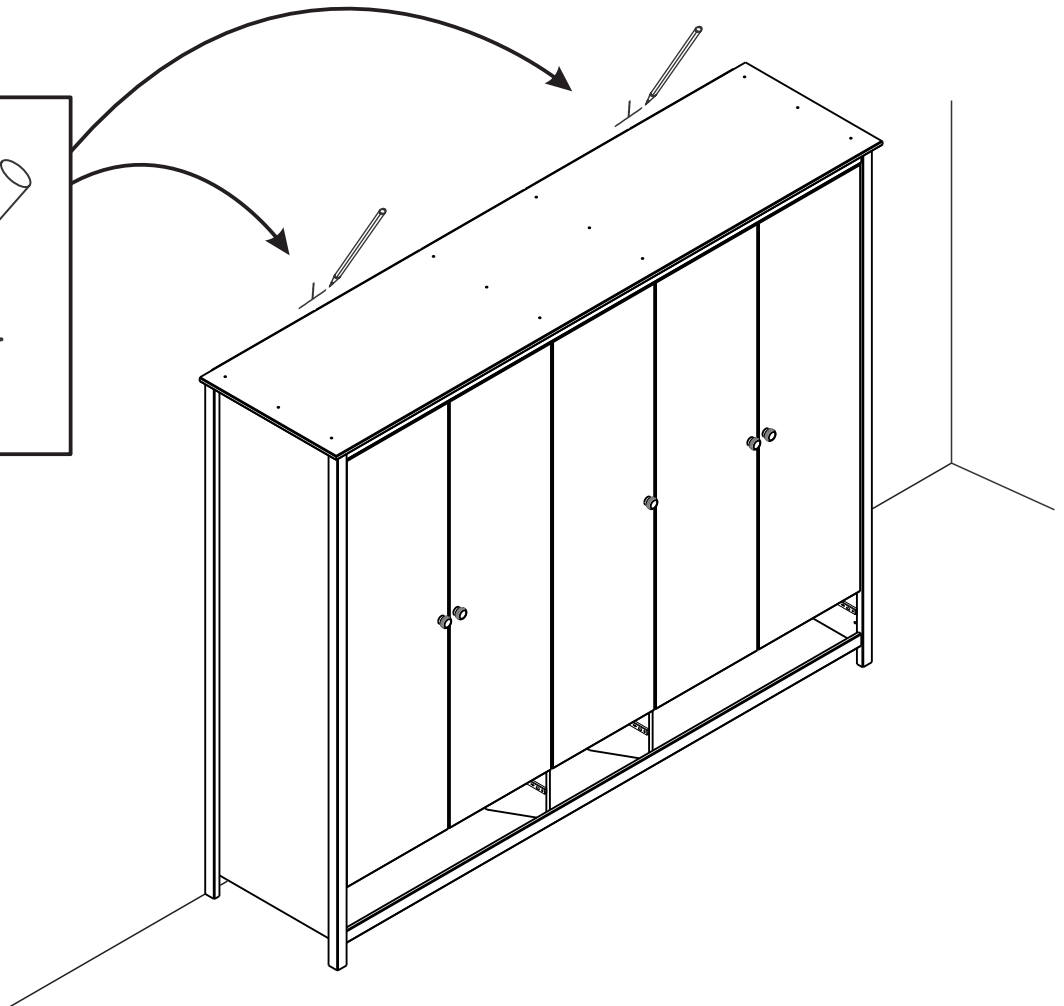
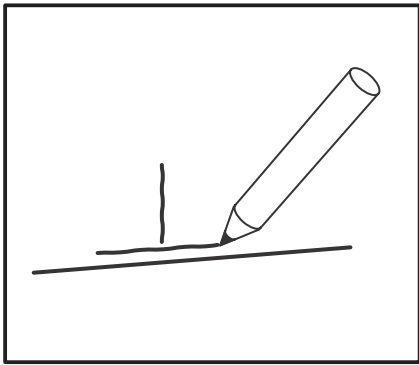


Y- 02x

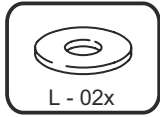
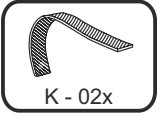
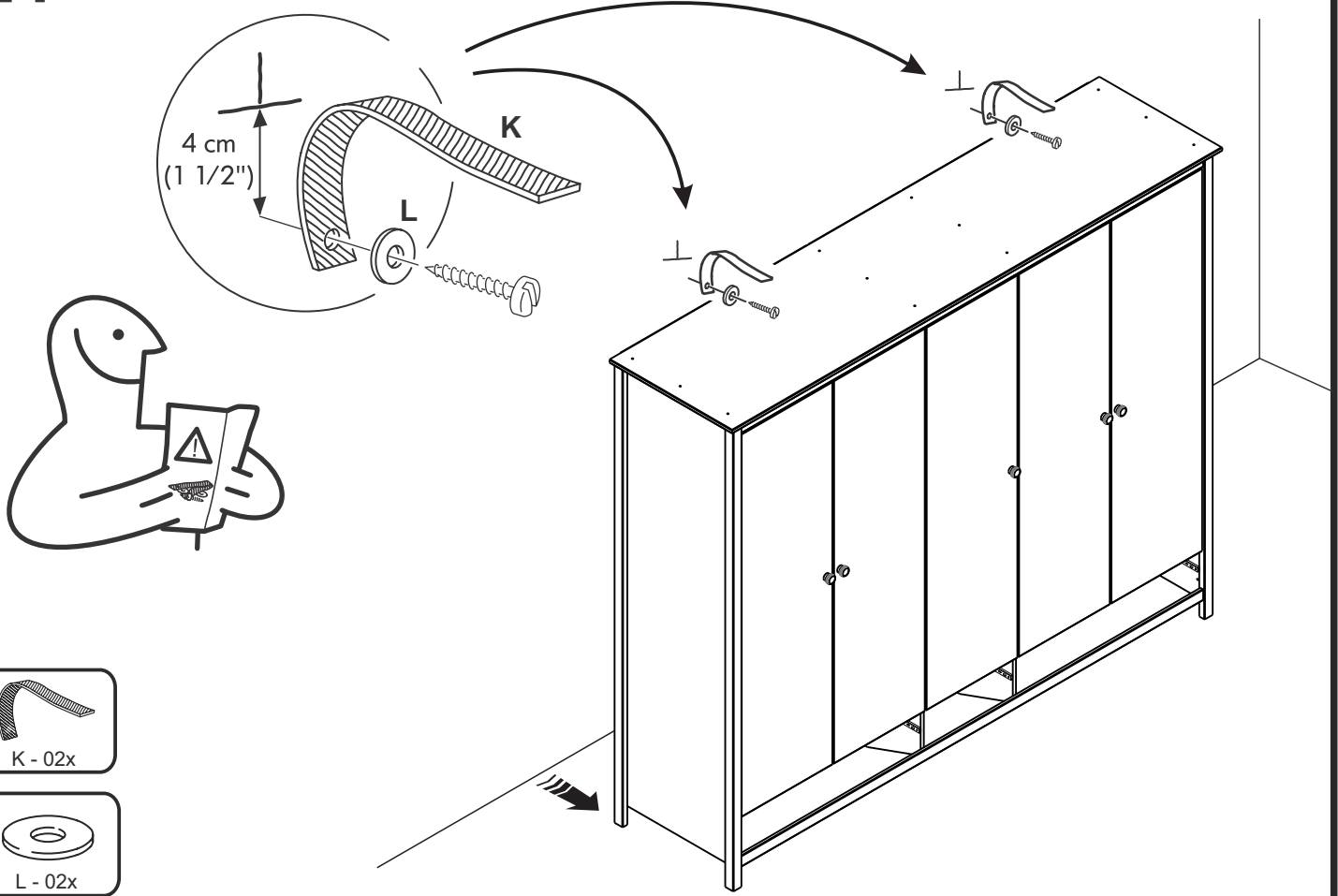
22



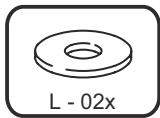
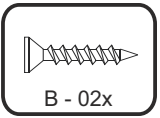
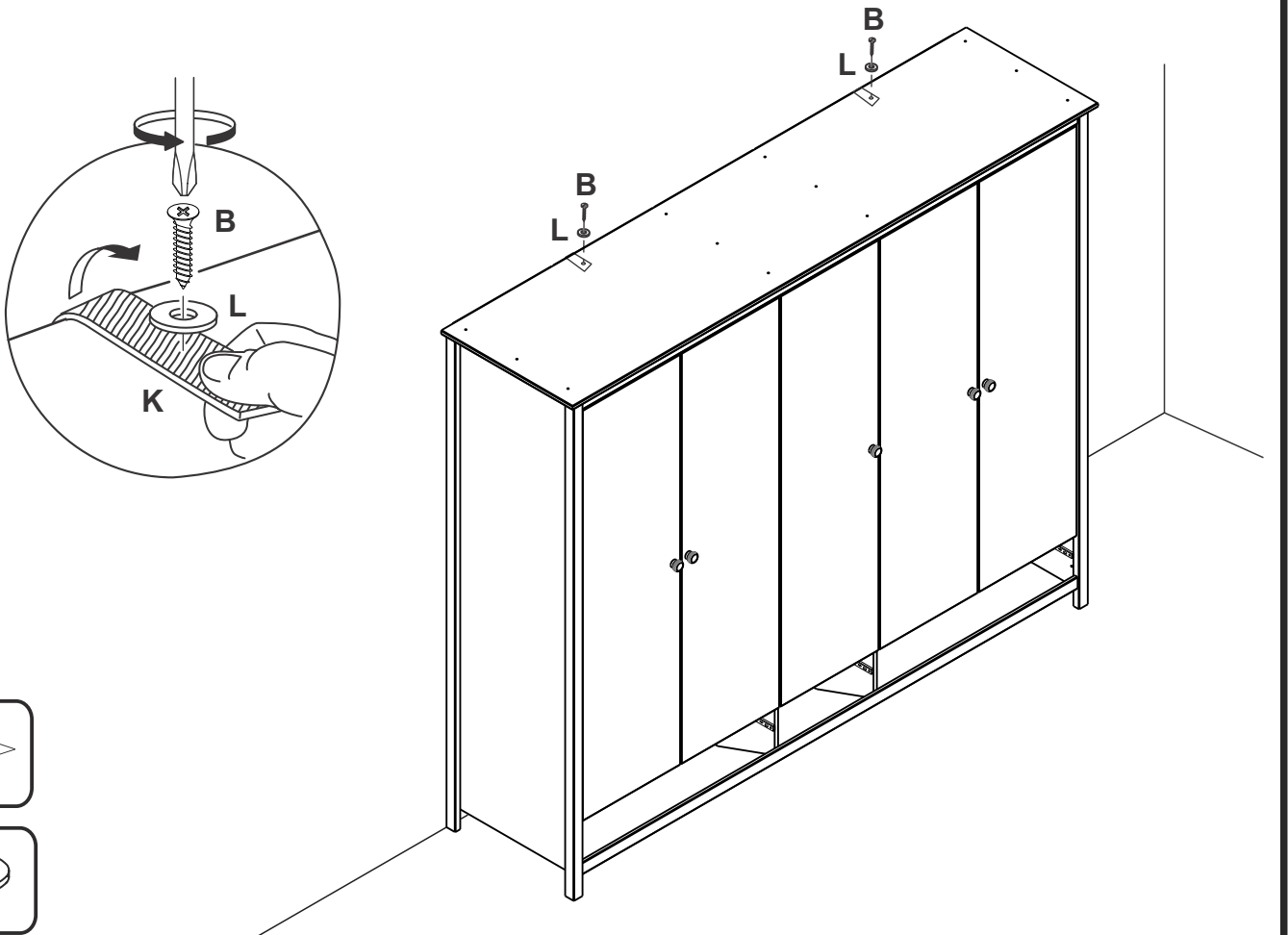
23



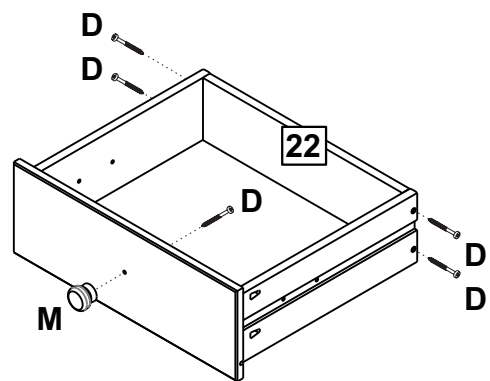
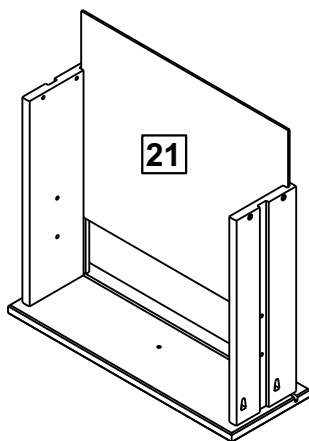
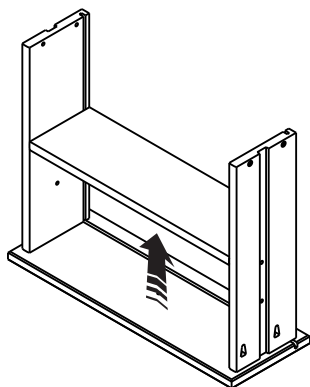
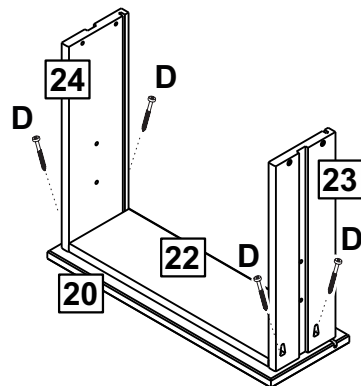
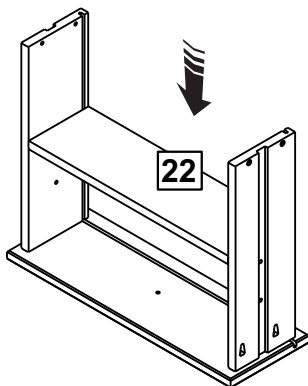
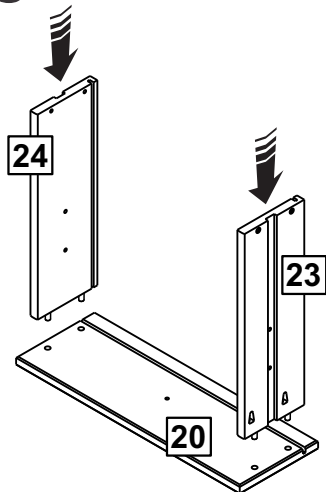
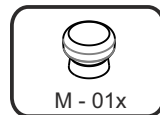
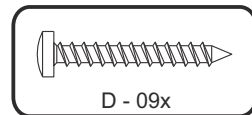
24



25



26



27

2x

