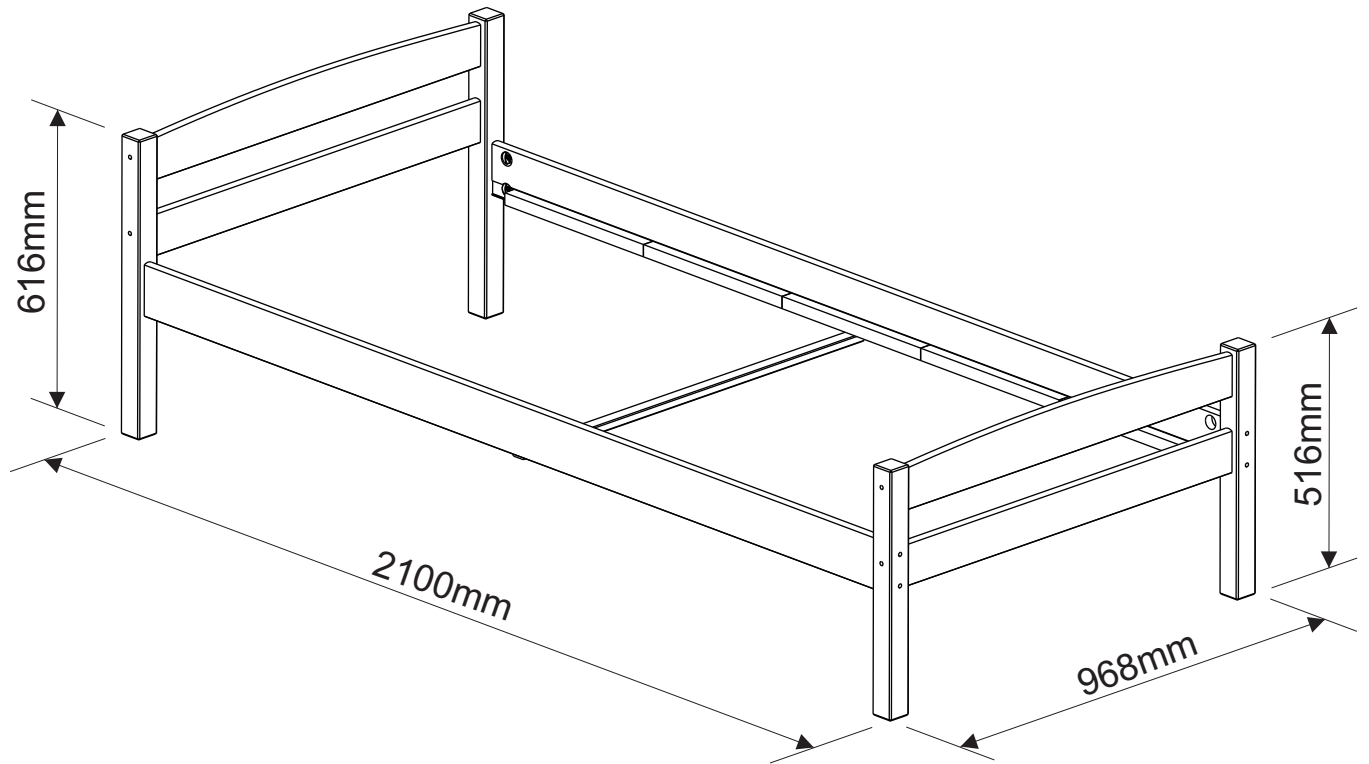
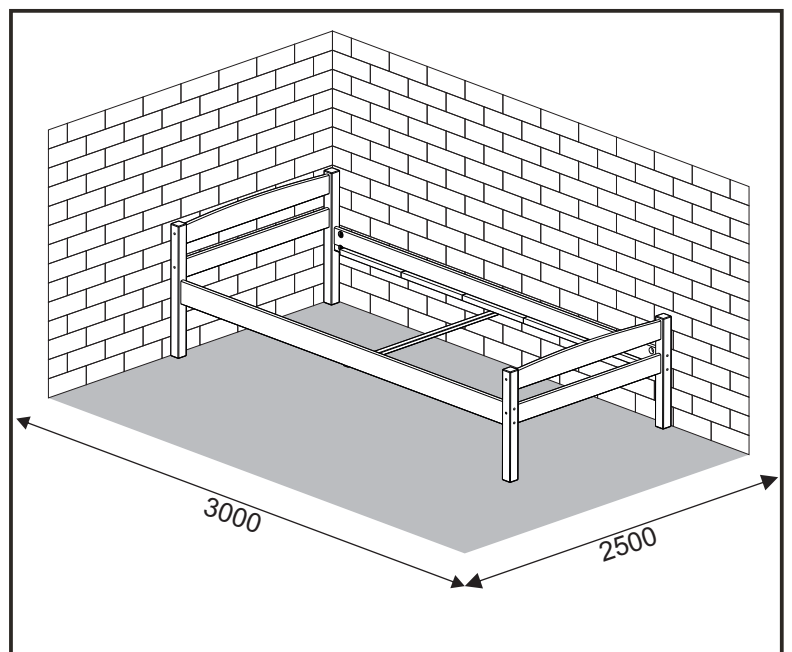
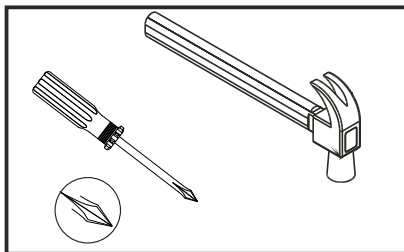
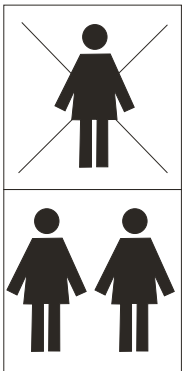


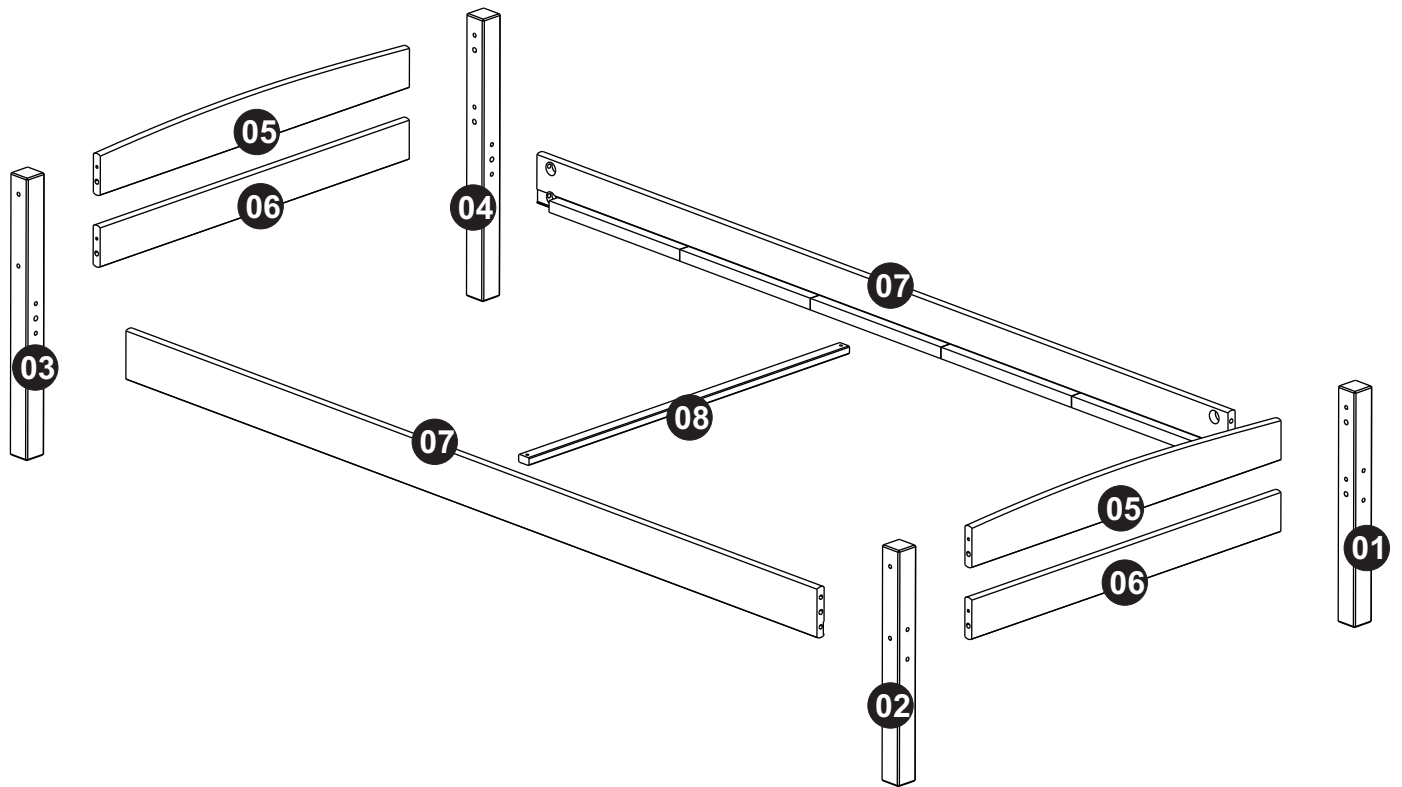
# 801R

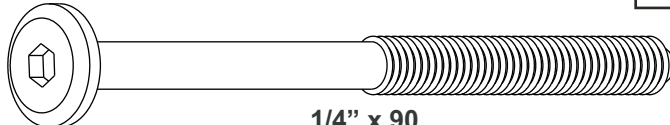
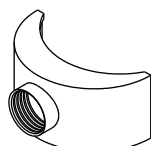
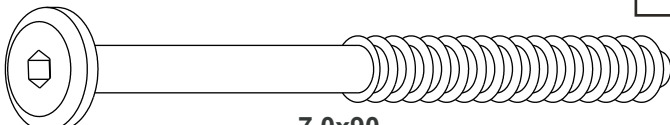
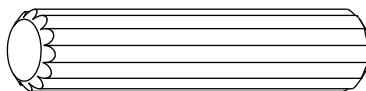
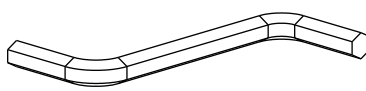
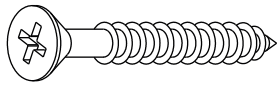
## 90 x 200



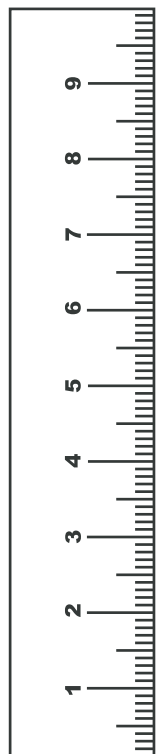
20  
min.



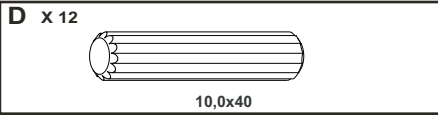
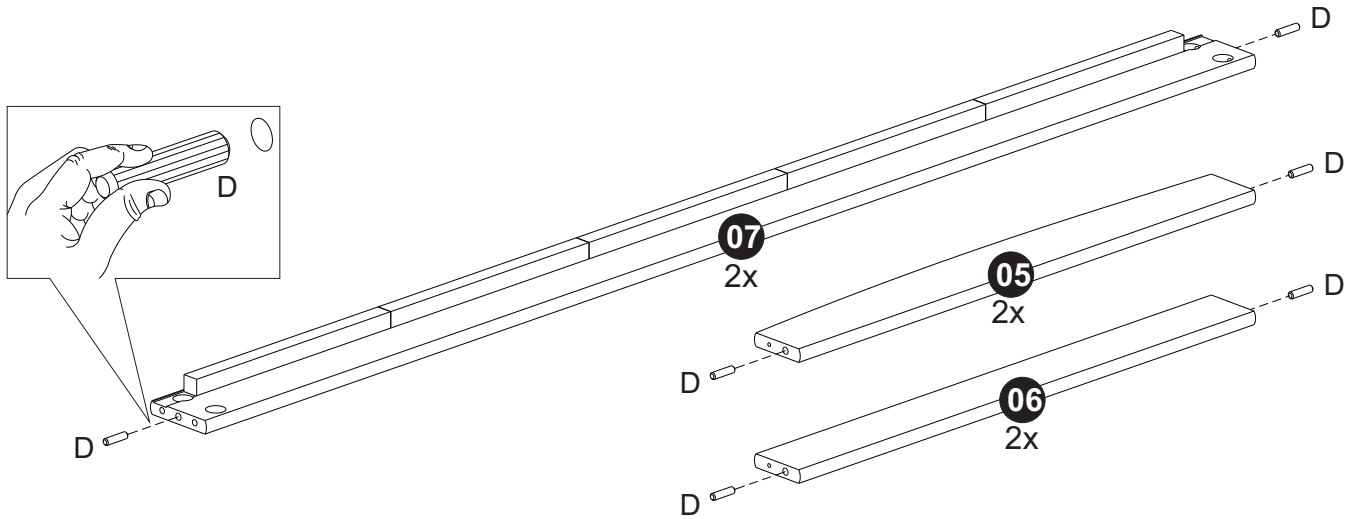


<b>A</b>		<b>X 08</b>
	1/4" x 90	
<b>B</b>		<b>X 08</b>
<b>C</b>		<b>X 08</b>
	7,0x90	
<b>D</b>		<b>X 12</b>
	10,0x40	
<b>E</b>		<b>X 01</b>
	4mm.	
<b>F</b>		<b>X 02</b>
	4,0x35	

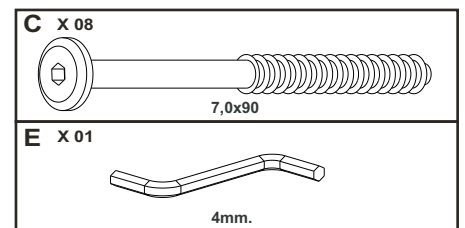
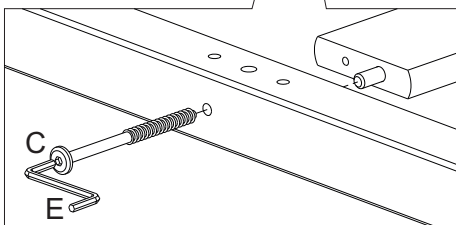
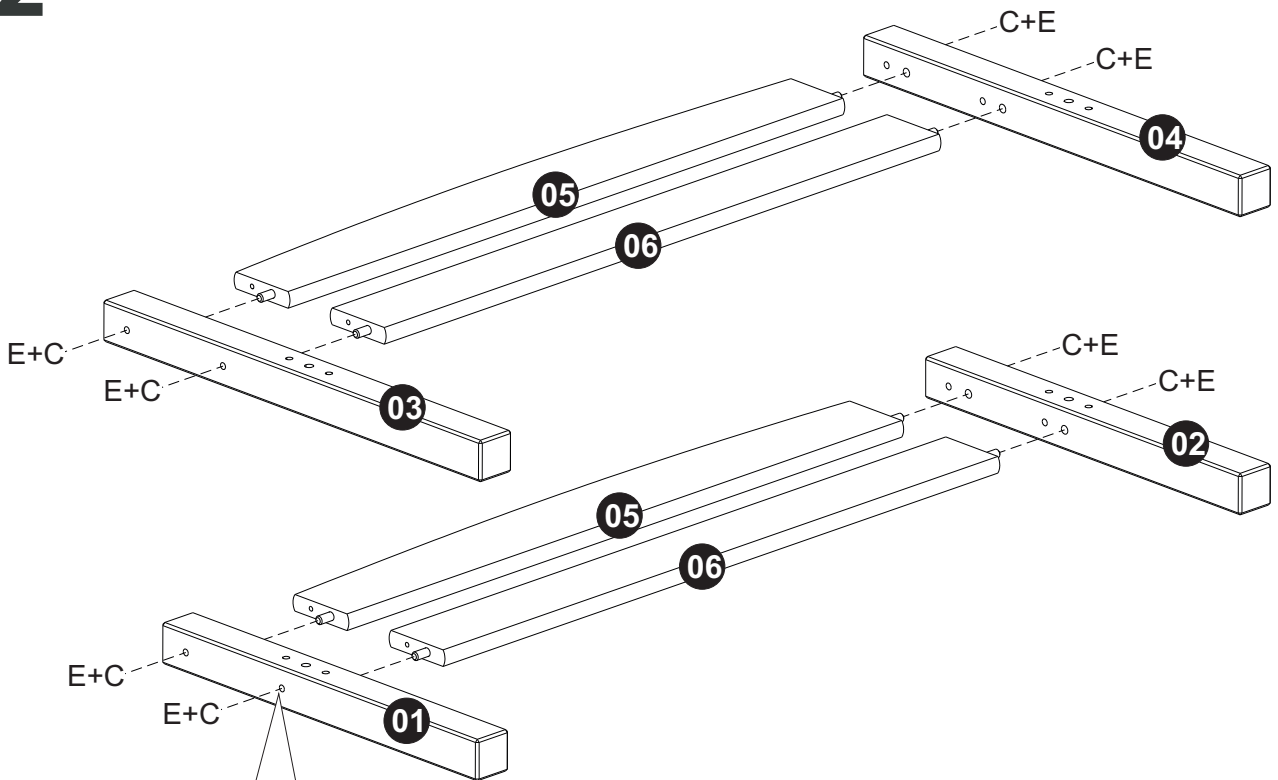
01	1	510x50x50mm	
02	1	510x50x50mm	
03	1	610x50x50mm	
04	1	610x50x50mm	
05	2	868x110x20mm	
06	2	868x90x20mm	
07	2	2000x110x43mm	
08	1	900x30x17mm	



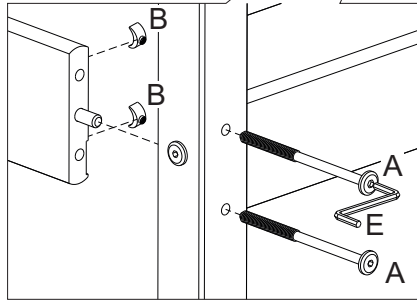
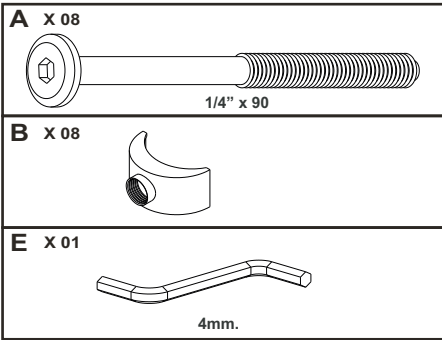
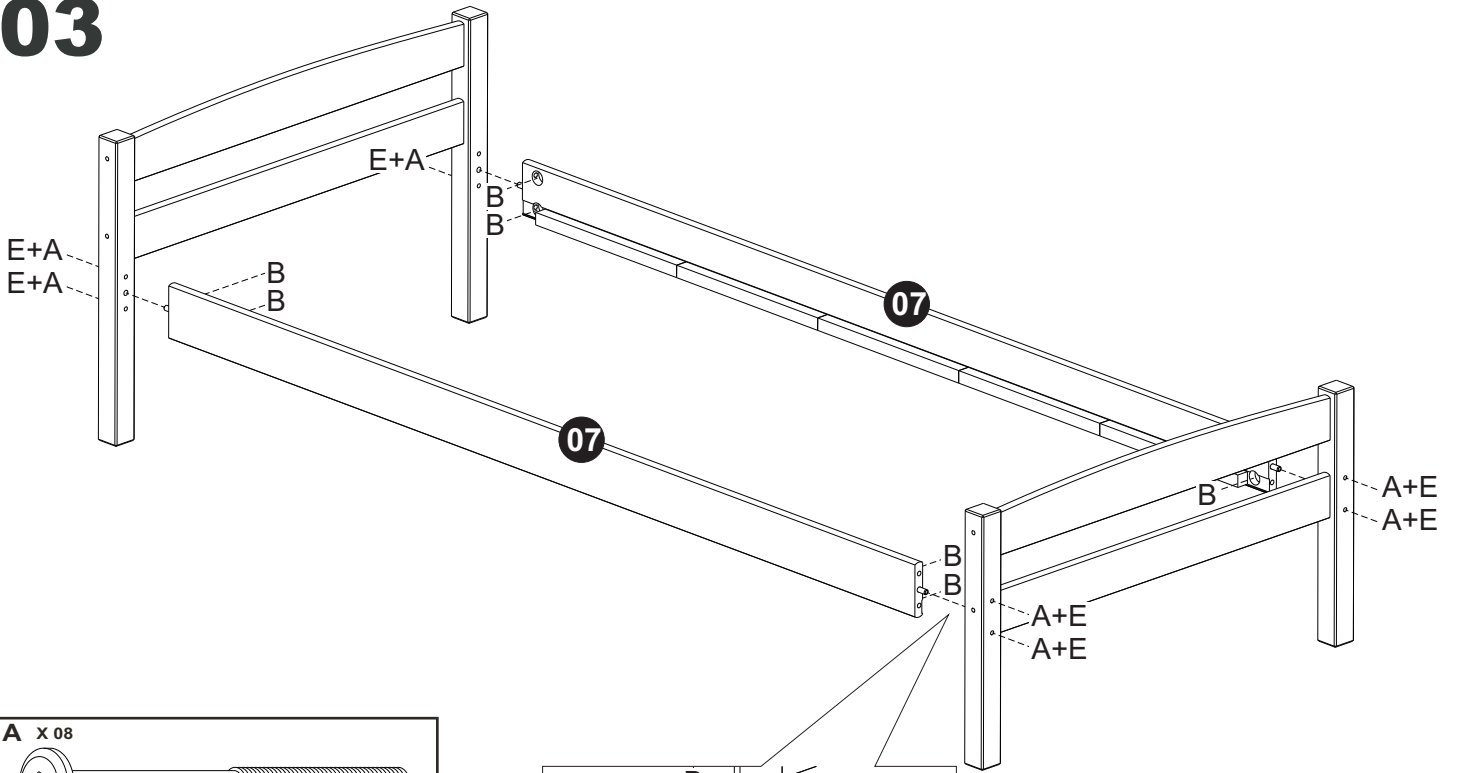
# 01



# 02



# 03



# 04

