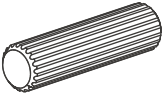
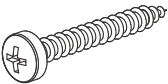
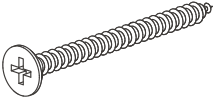


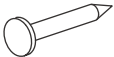
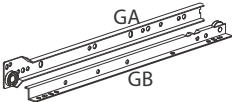
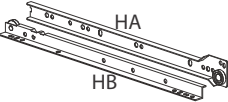
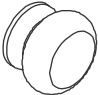
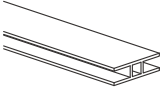
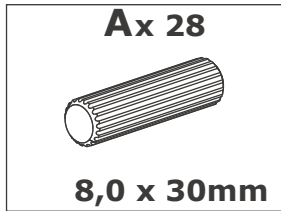
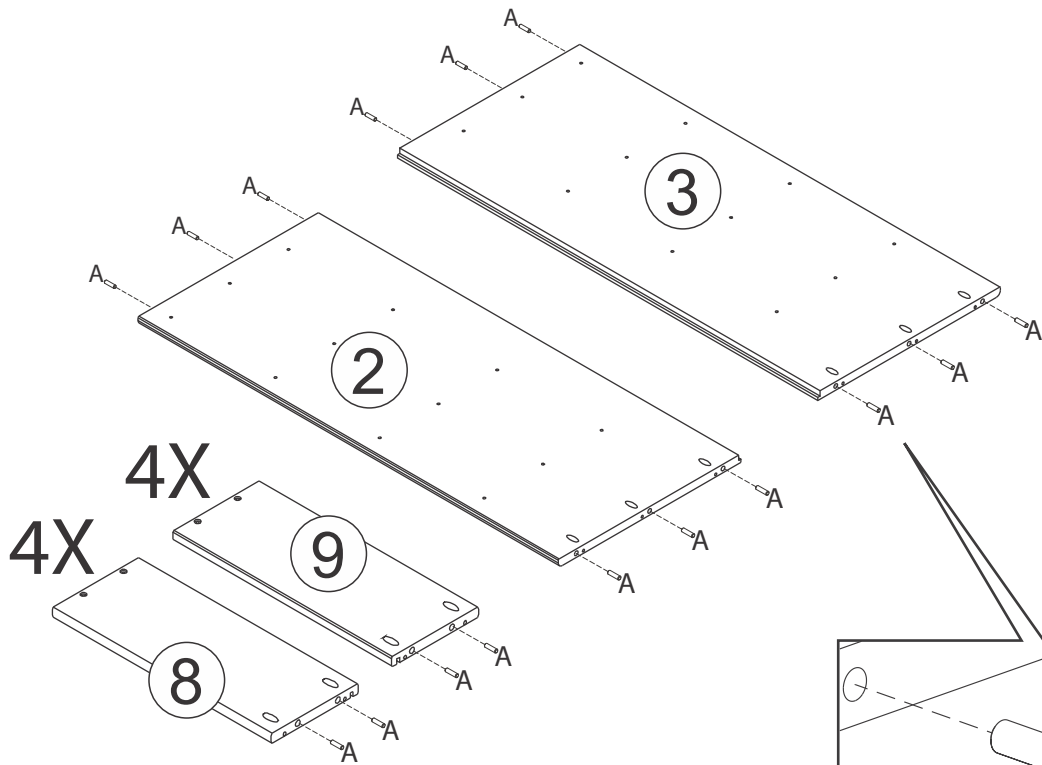
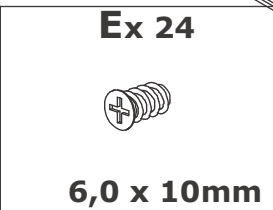
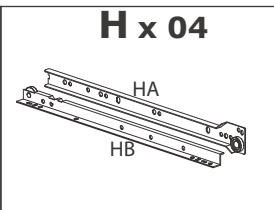
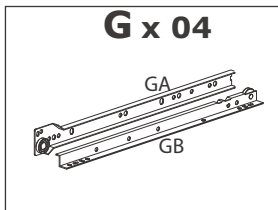
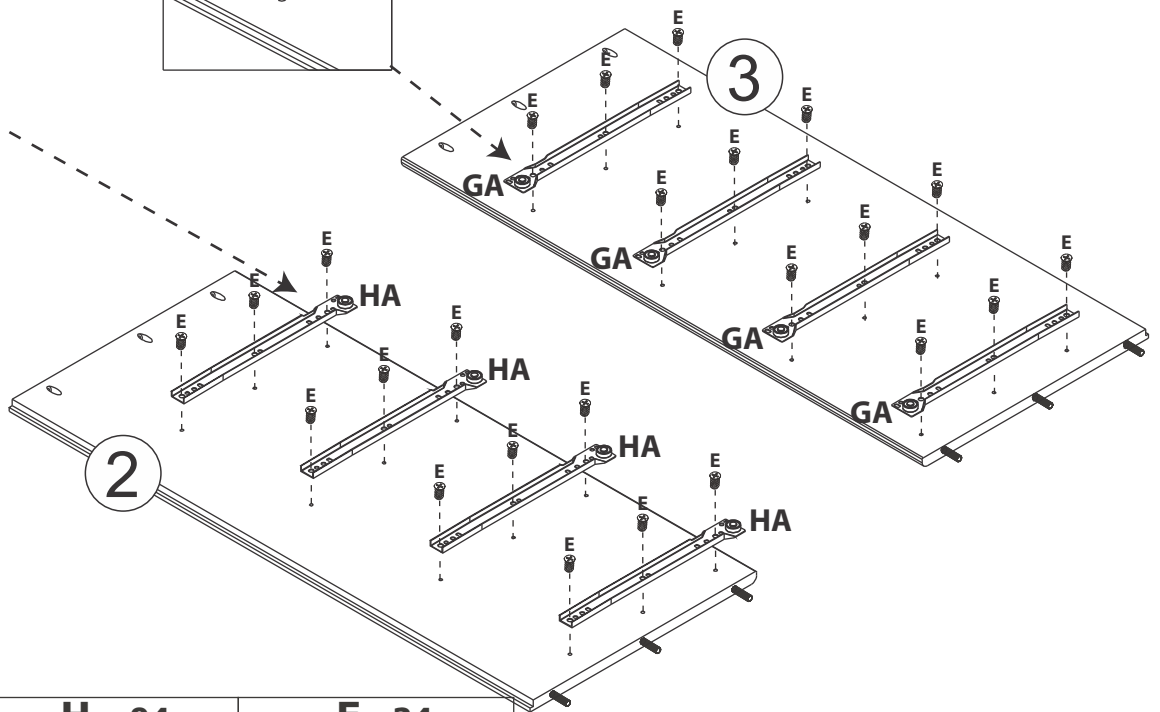
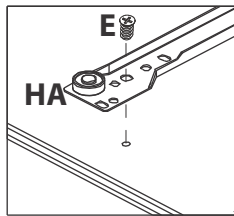
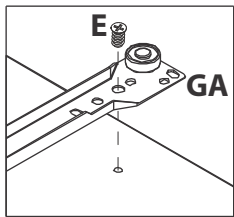


<p>A x 28</p>  <p>8,0 x 30mm</p>	<p>B x 38</p>  <p>3,5 x 30mm</p>	<p>C x 16</p>  <p>4,0 x 40mm</p>	<p>D x 24</p>  <p>3,0 x 16mm</p>	<p>E x 24</p>  <p>6,0 x 10mm</p>
<p>F x 20</p> 	<p>G x 04</p> 	<p>H x 04</p> 	<p>I x 08</p> 	<p>J x 01</p> 

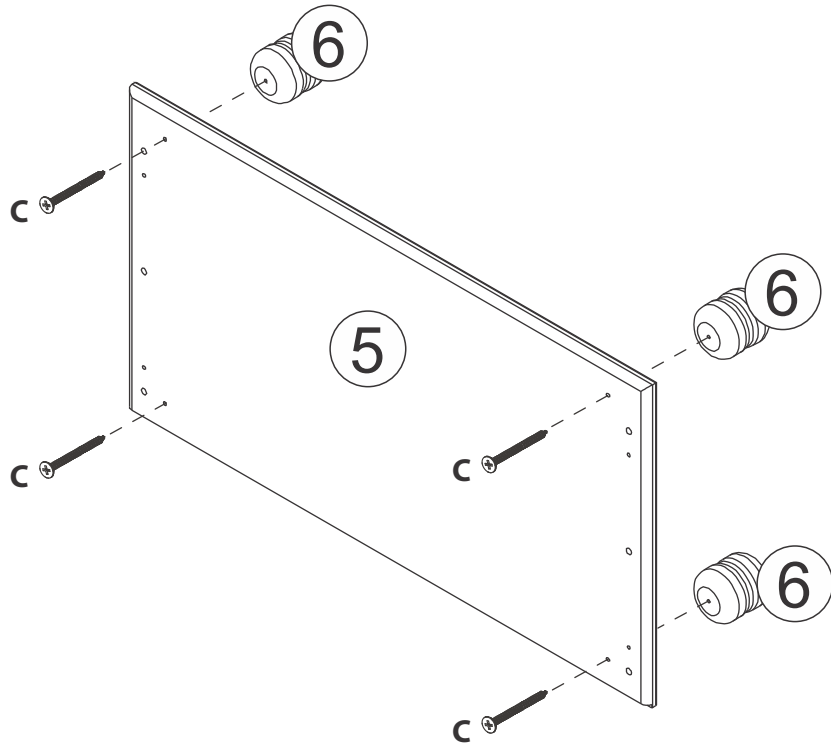
1



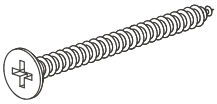
2



3

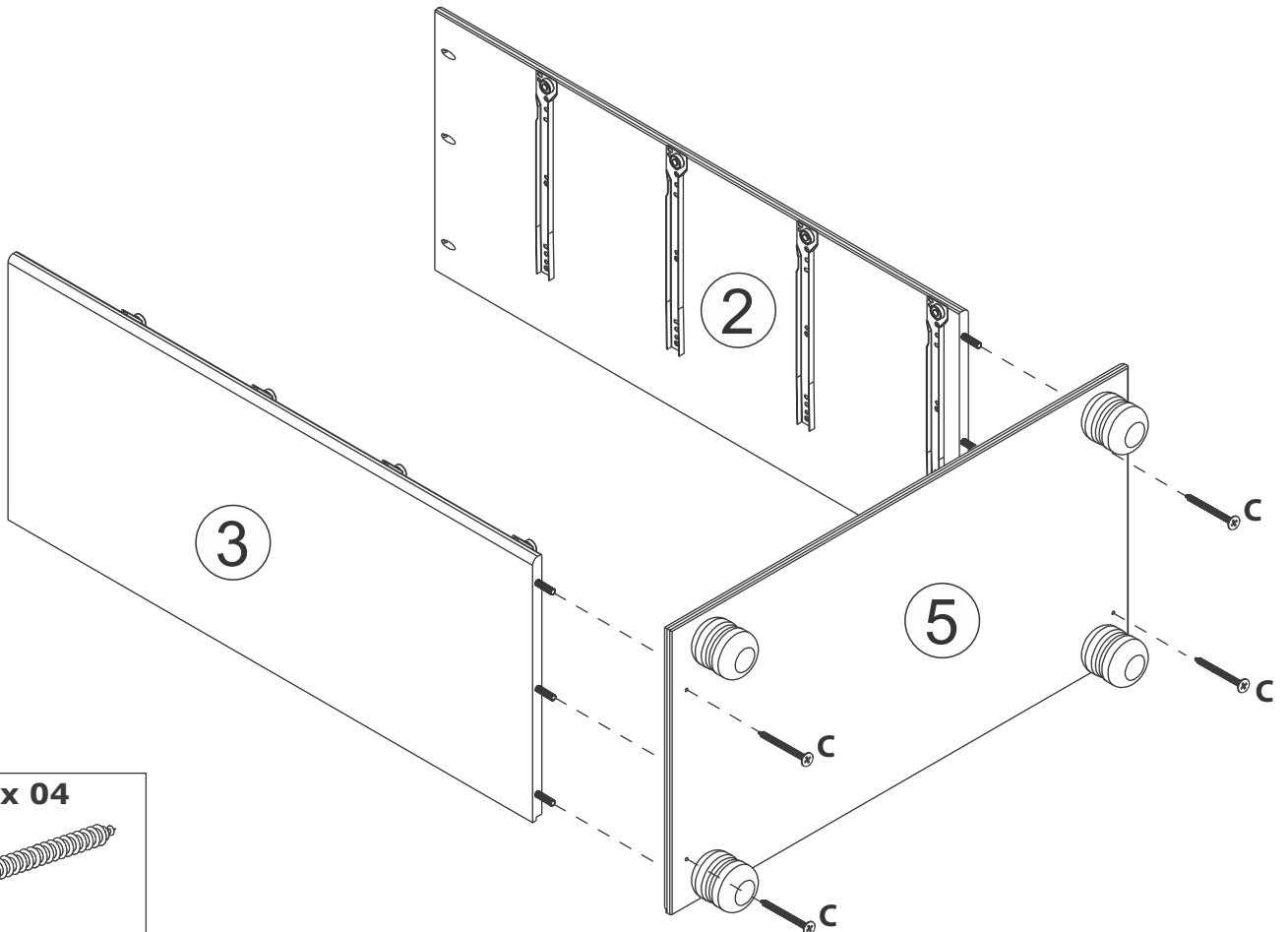


Cx 04

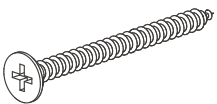


4,0 x 40mm

4

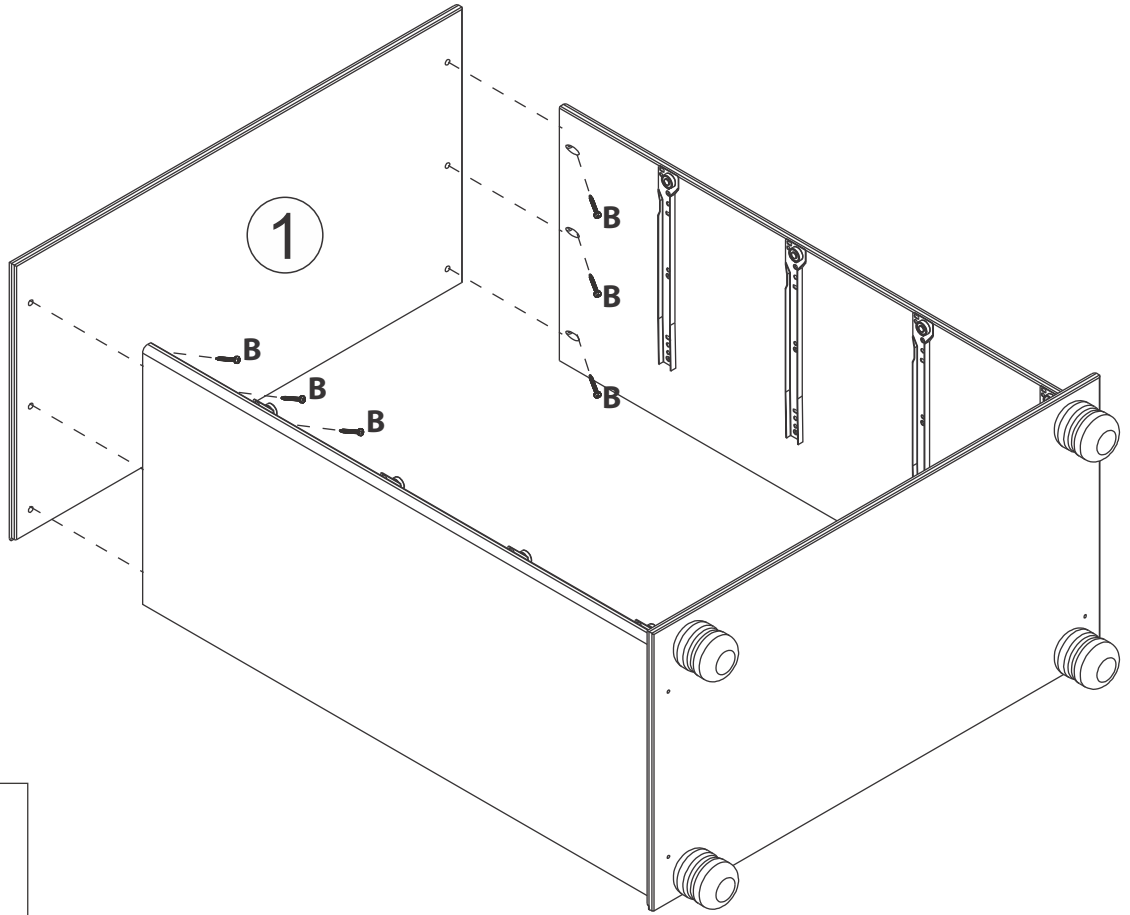


Cx 04

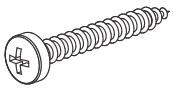


4,0 x 40mm

5

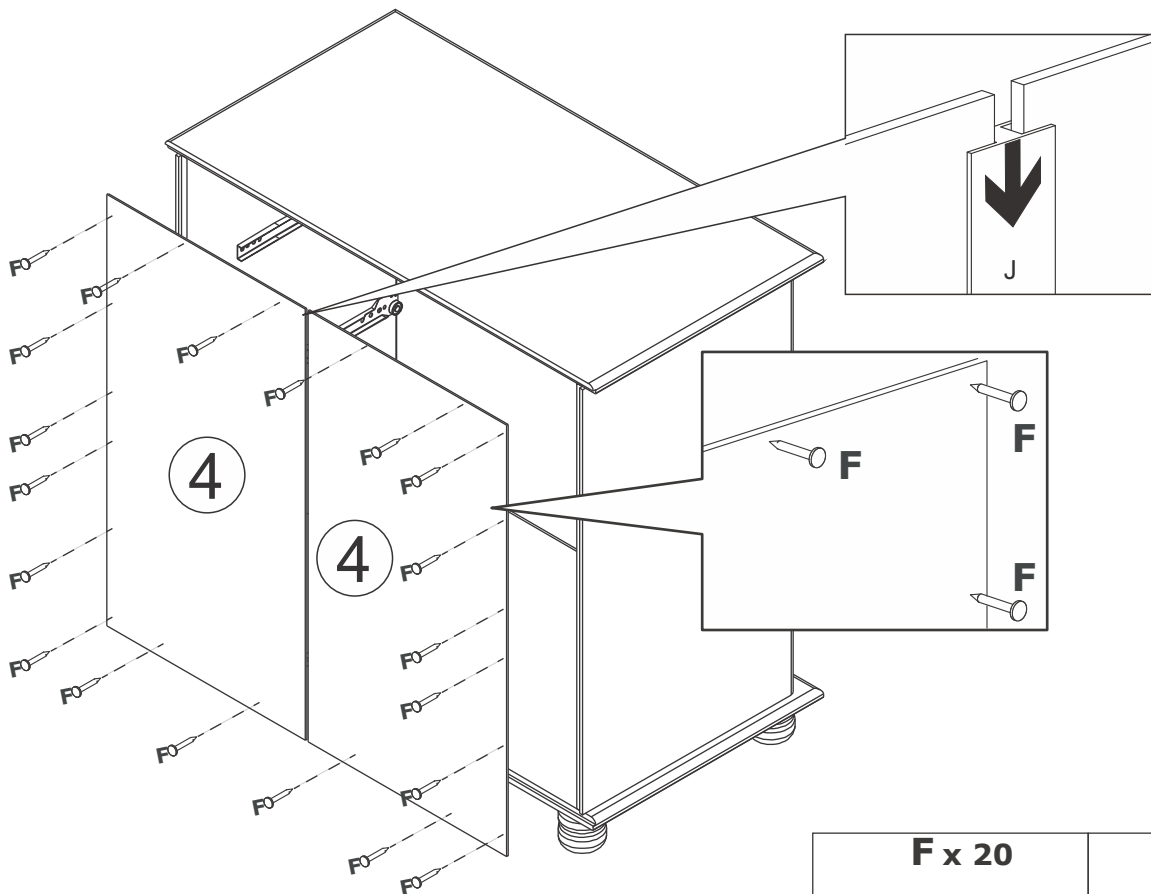


B x 06

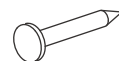


3,5 x 30mm

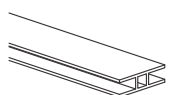
6



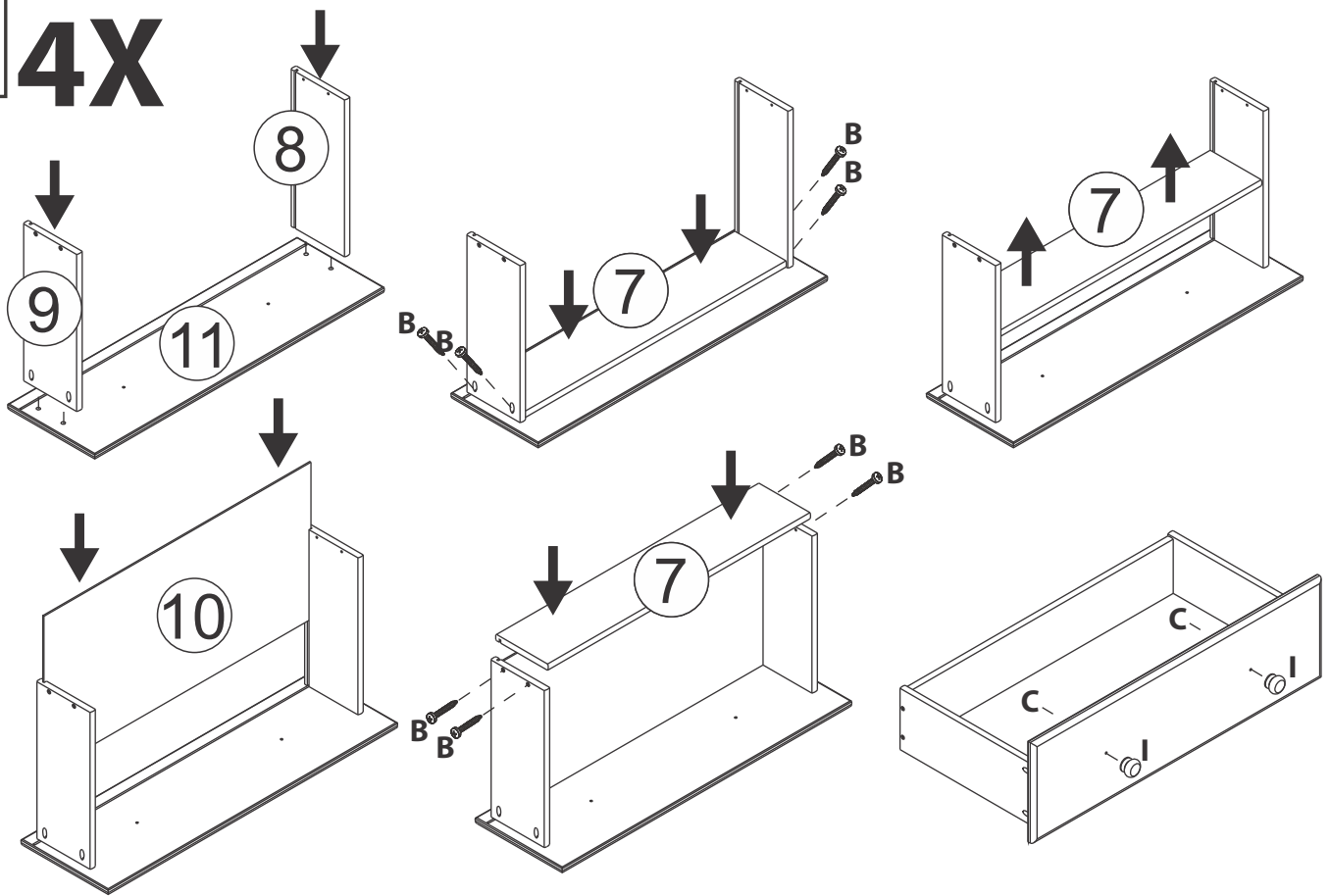
F x 20






J x 01

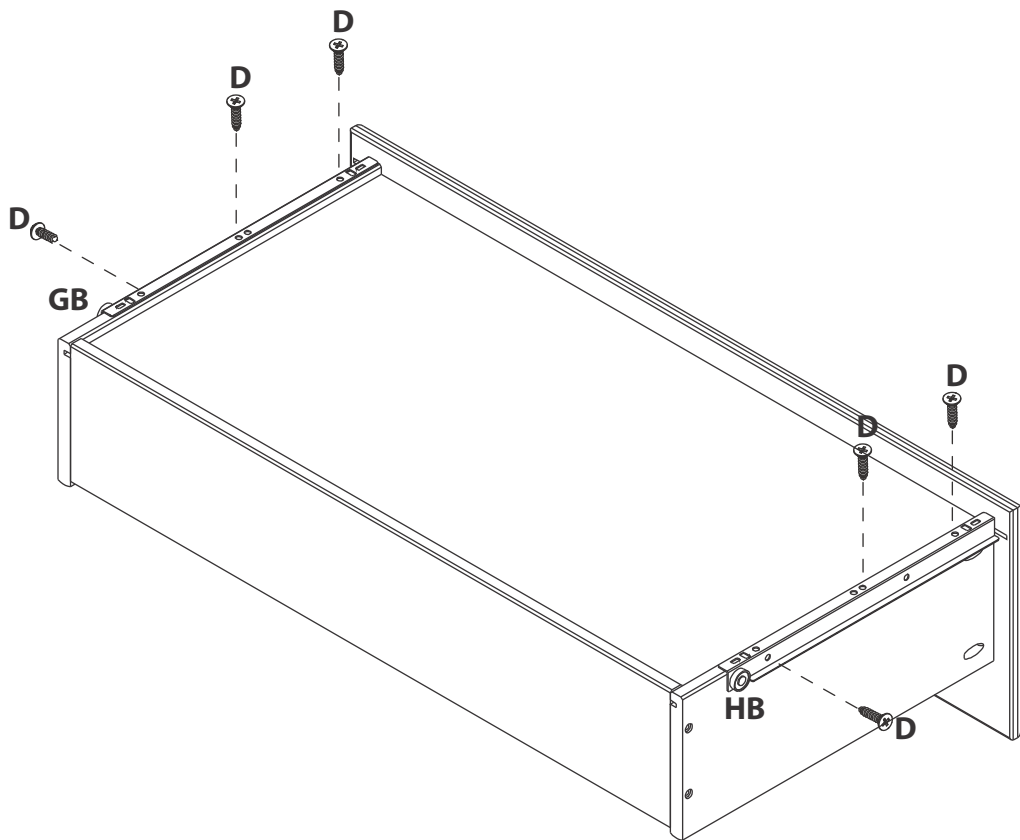


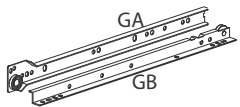
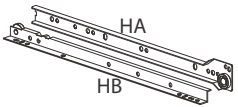

7 4X



C x 08  4,0 x 40mm	B x 32  3,5 x 30mm	I x 08 
--	--	--

8 4X



G x 04  GA GB	H x 04  HA HB	D x 24  3,0 x 16mm
---	--	--

9

