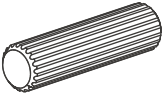
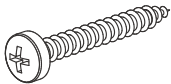
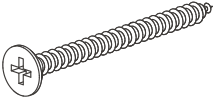


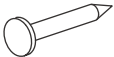
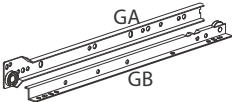
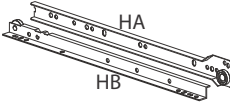
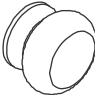
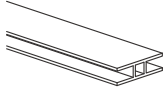
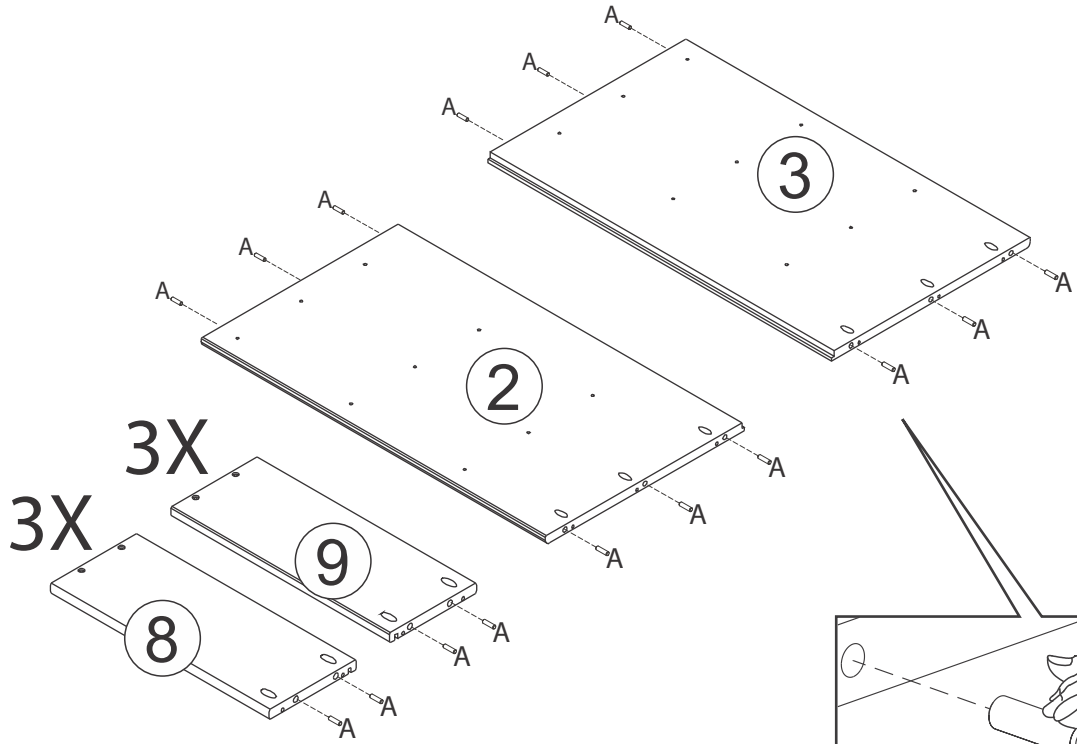
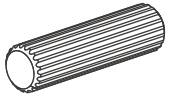


<p>A x 24</p>  <p>8,0 x 30mm</p>	<p>B x 30</p>  <p>3,5 x 30mm</p>	<p>C x 14</p>  <p>4,0 x 40mm</p>	<p>D x 18</p>  <p>3,0 x 16mm</p>	<p>E x 18</p>  <p>6,0 x 10mm</p>
<p>F x 20</p> 	<p>G x 03</p> 	<p>H x 03</p> 	<p>I x 06</p> 	<p>J x 01</p> 

1

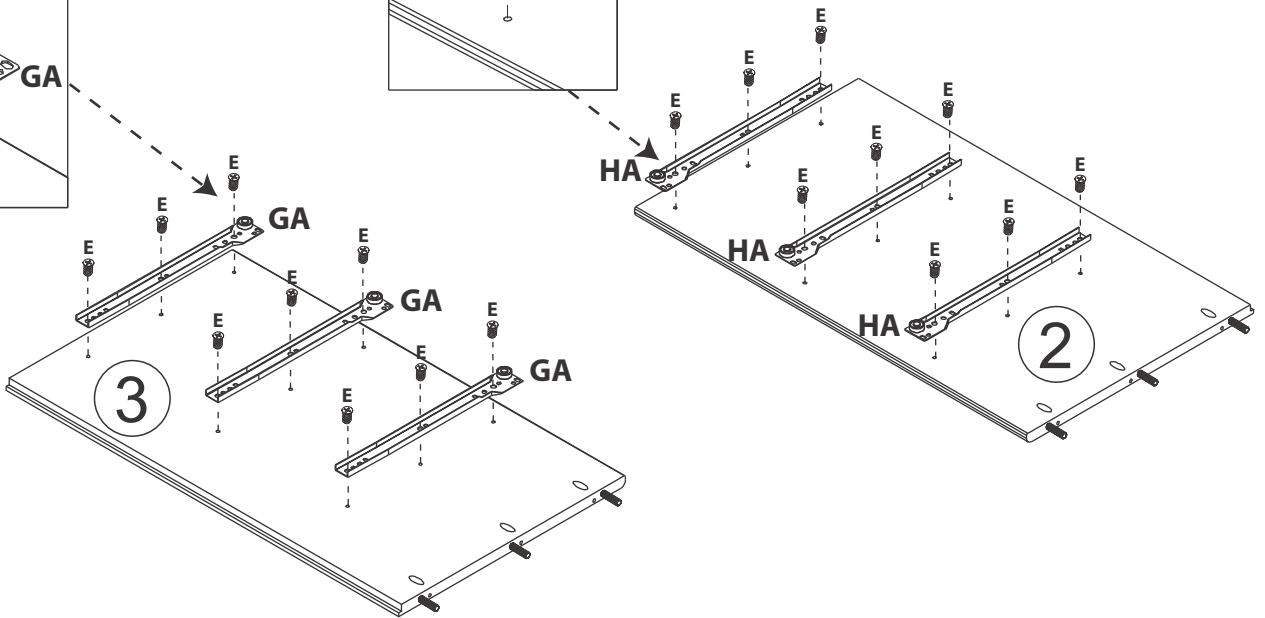
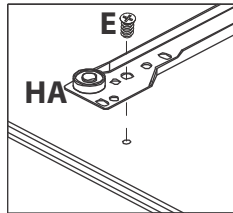
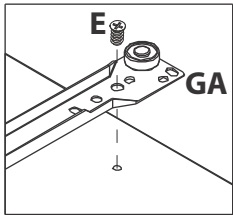


A x 24

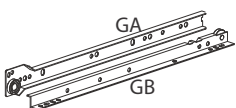


8,0 x 30mm

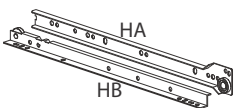
2



G x 03



H x 03

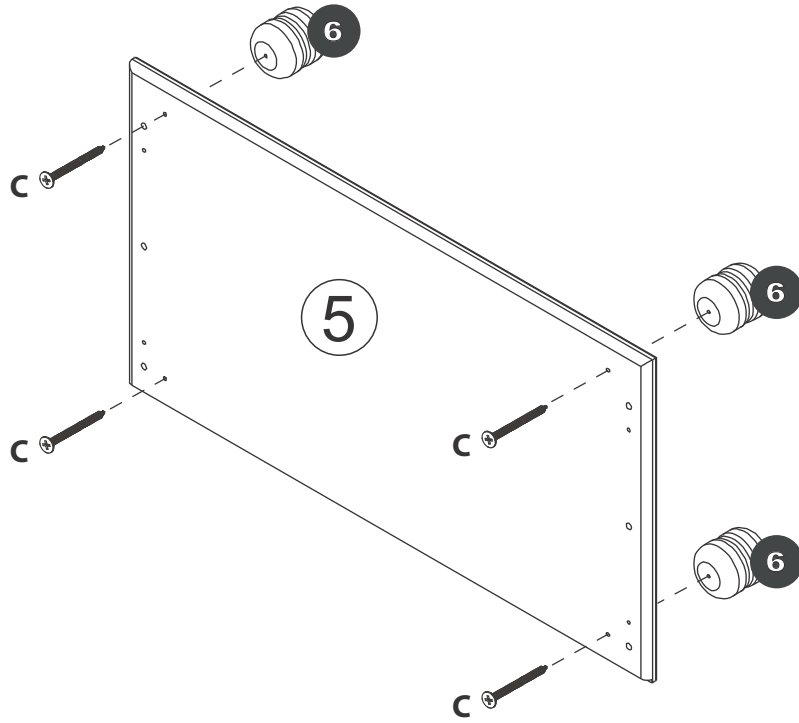


E x 18

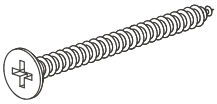


6,0 x 10mm

3

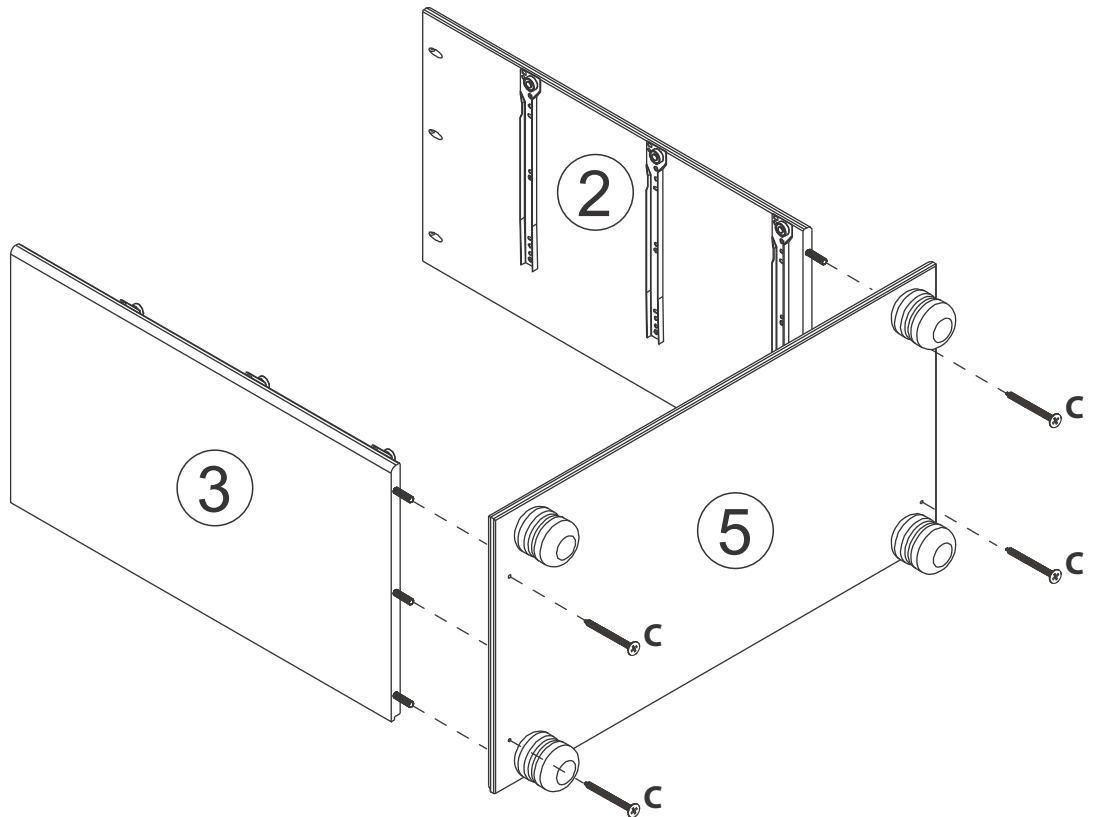


Cx 04

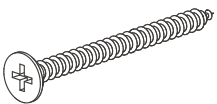


4,0 x 40mm

4

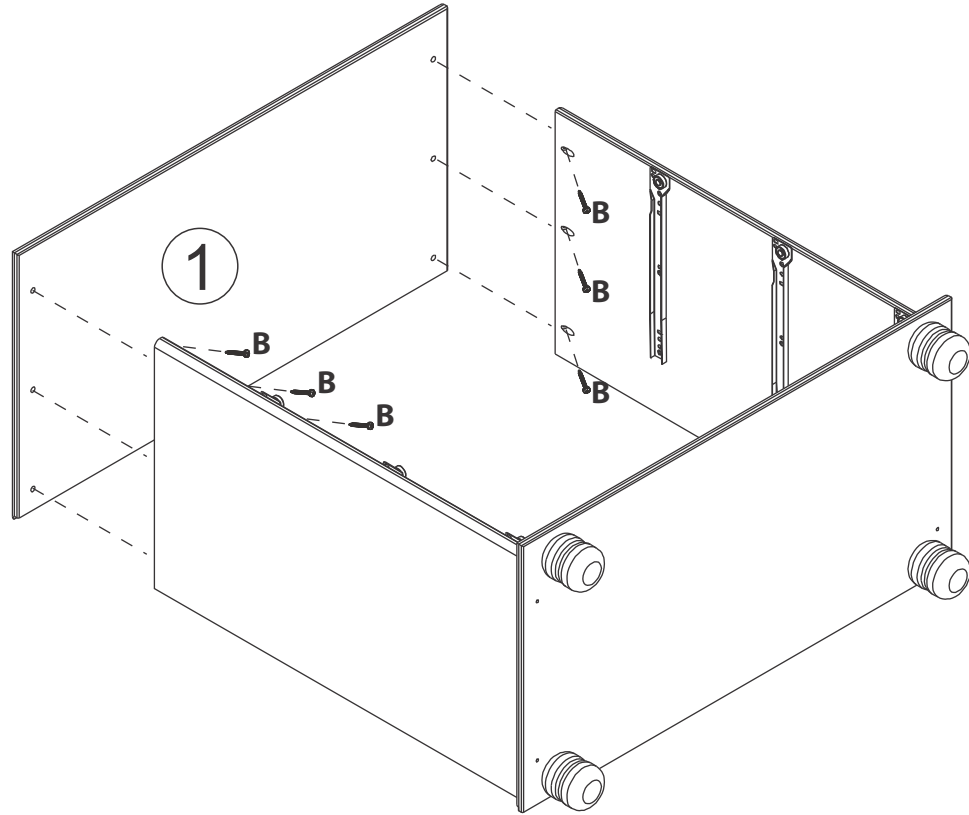


Cx 04

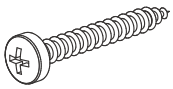


4,0 x 40mm

5

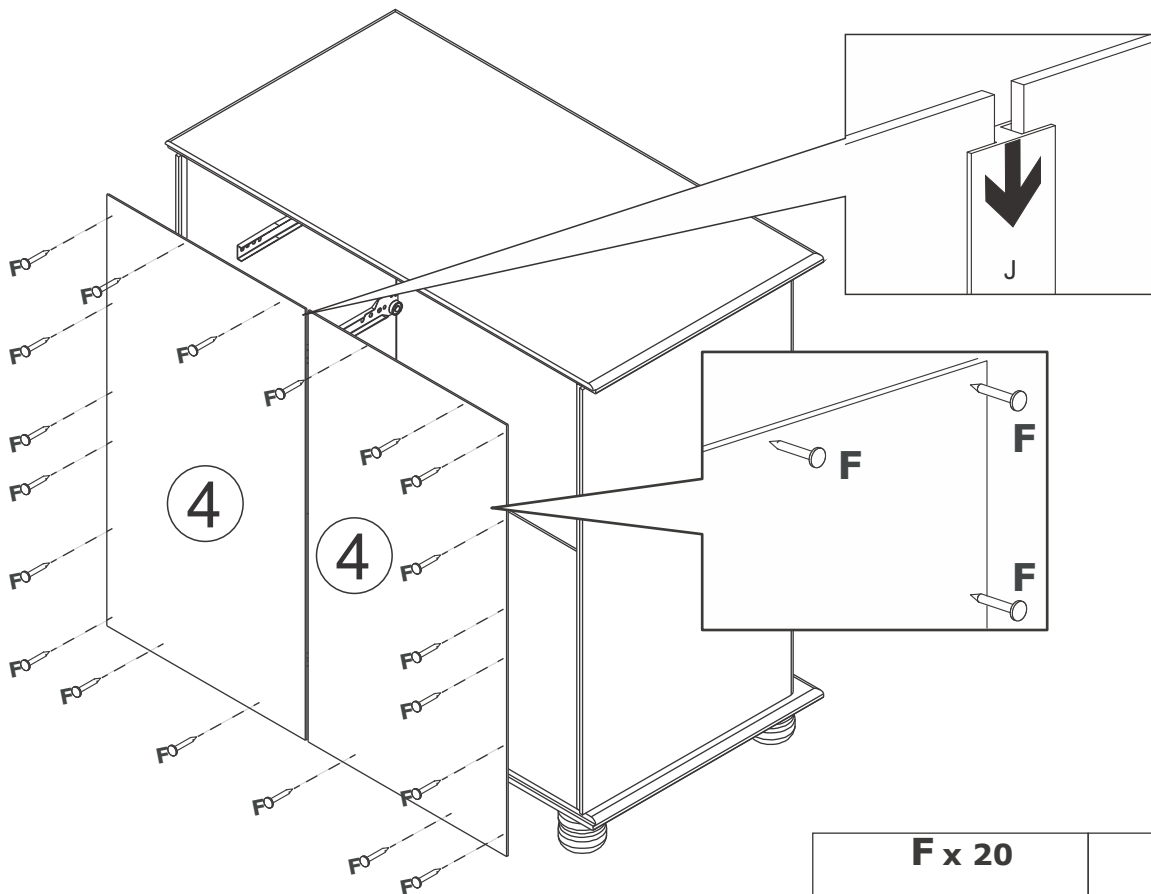


B x 06

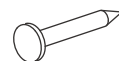


3,5 x 30mm

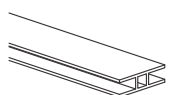
6



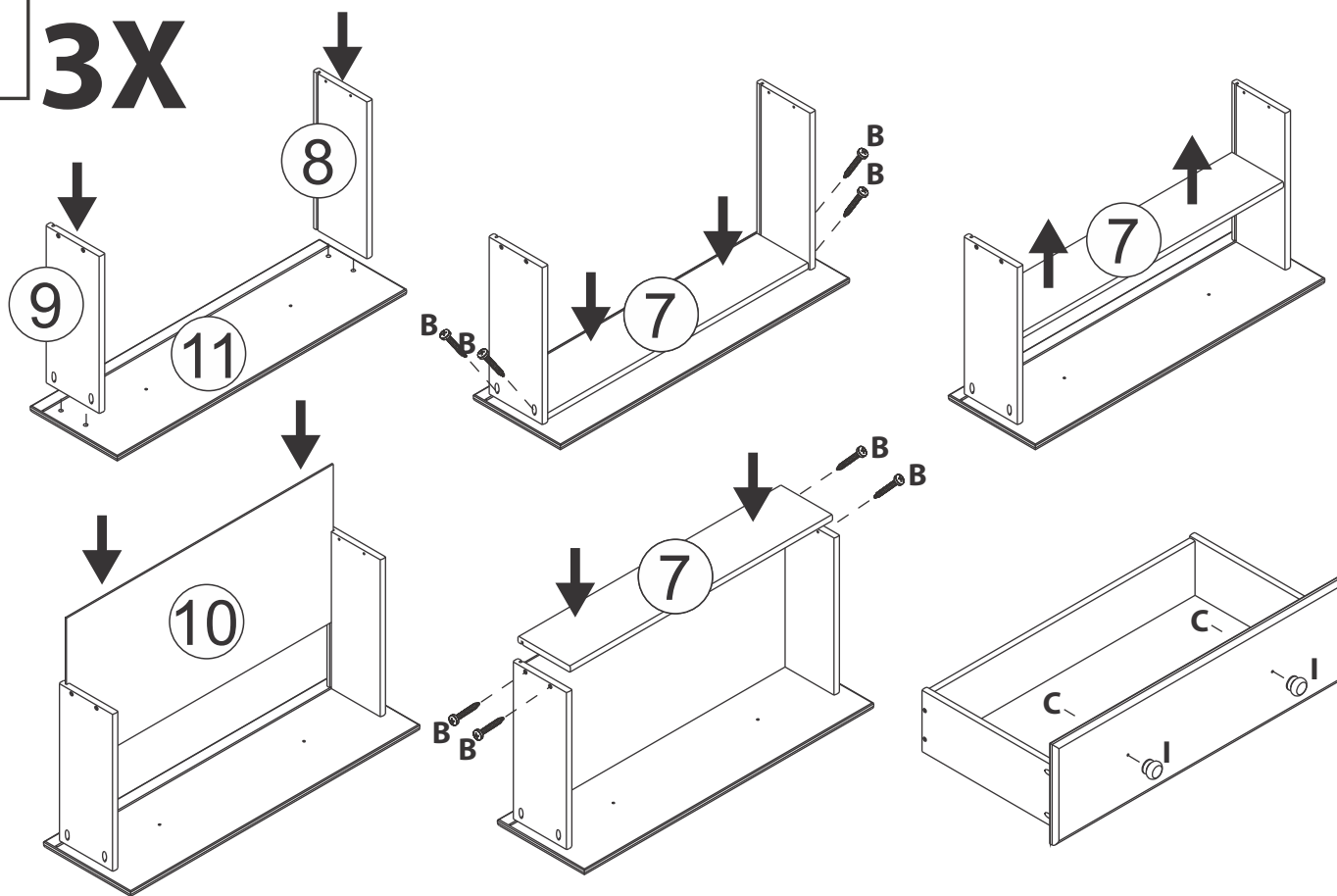
F x 20


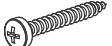



J x 01

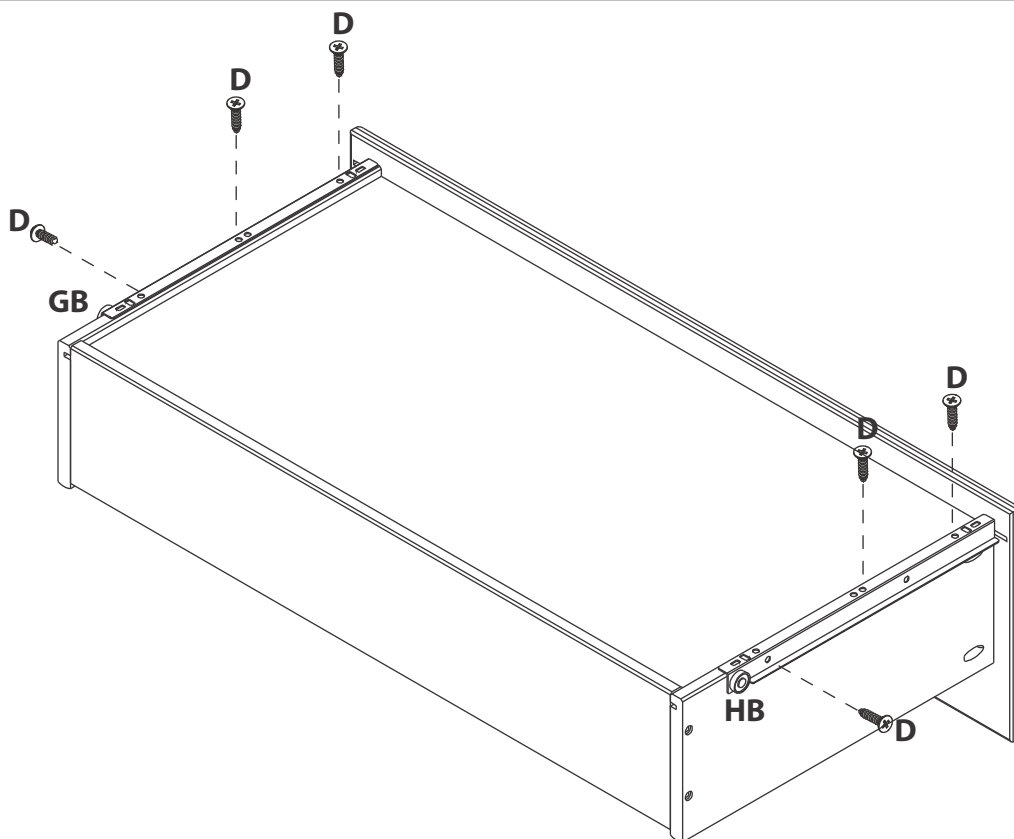


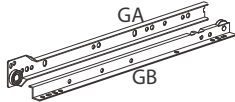
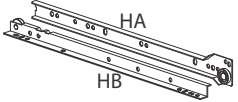
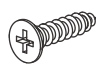
7 3X



Cx 06  4,0 x 40mm	Bx 24  3,5 x 30mm	I x 06 
---	---	--

8 3X



G x 03  GA GB	H x 03  HA HB	Dx 18  3,0 x 16mm
---	--	---

9

