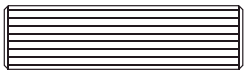
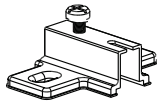
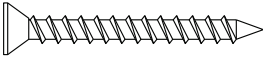

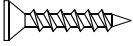

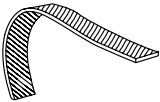

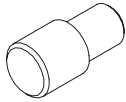


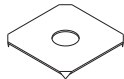

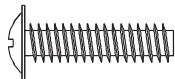
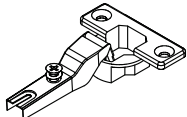
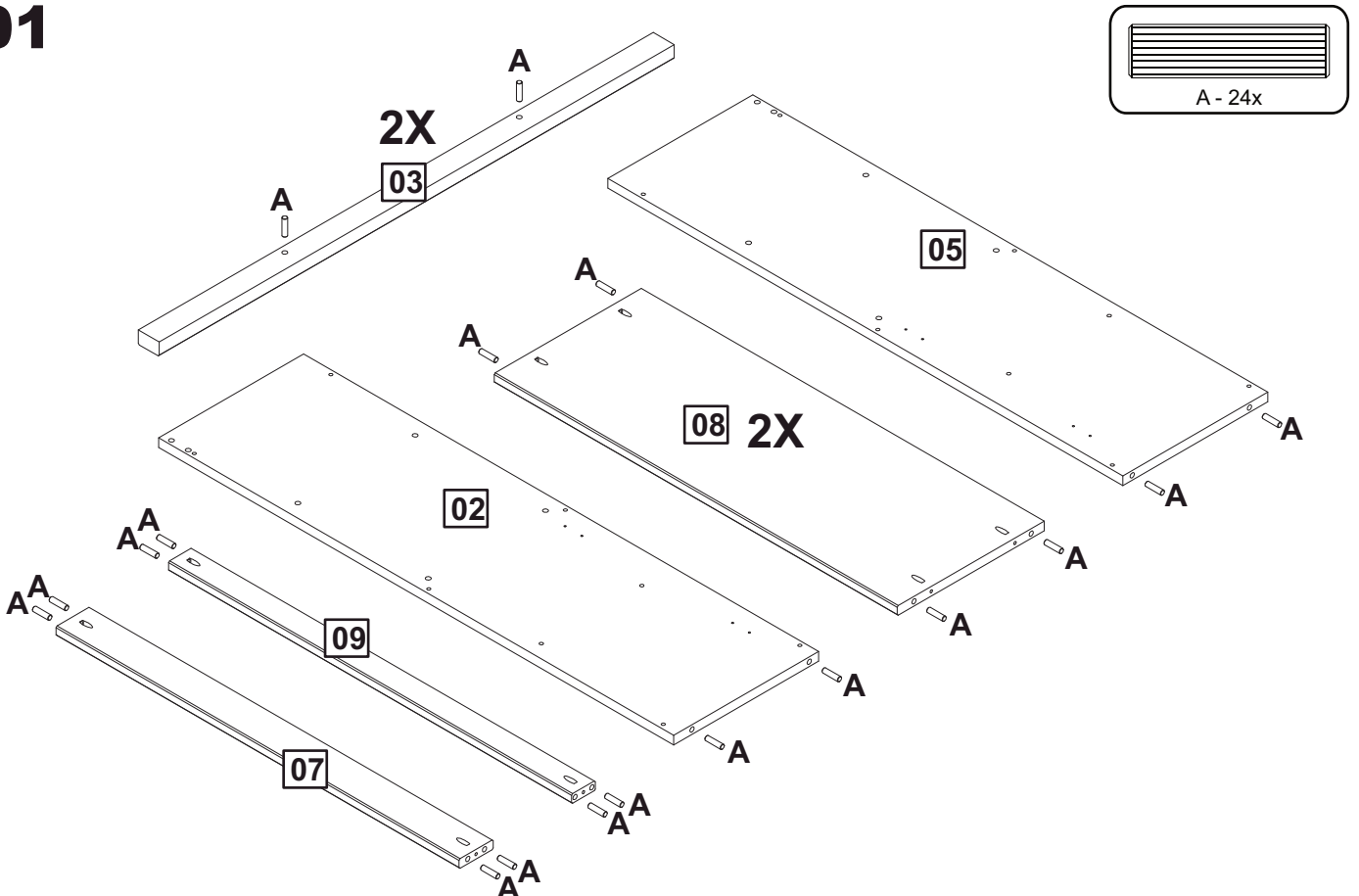
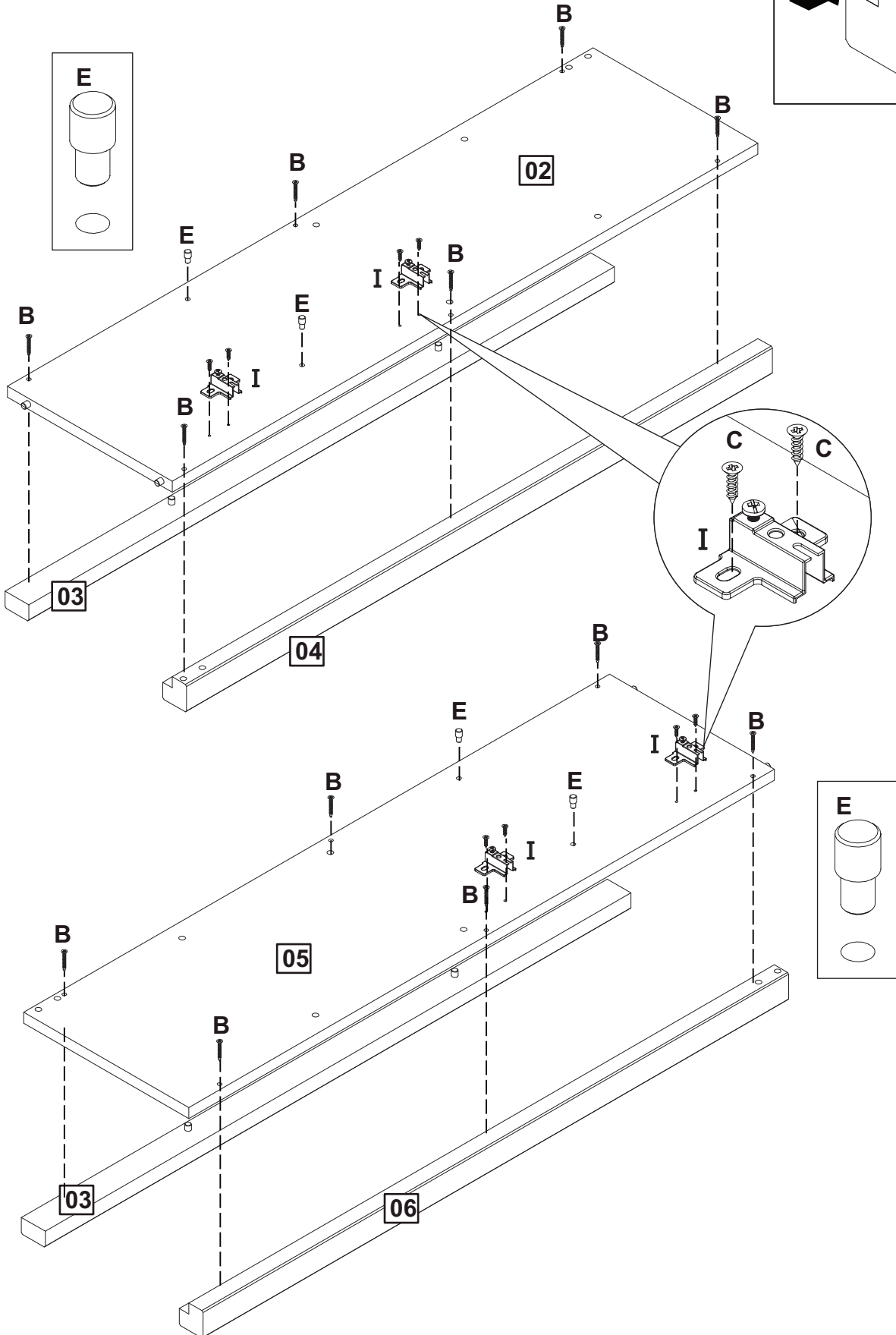
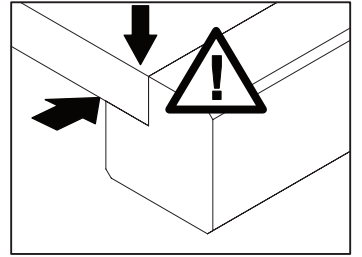
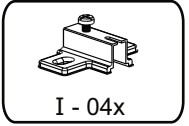
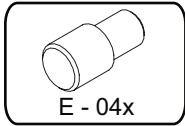
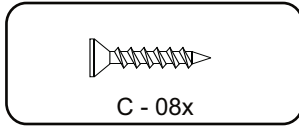
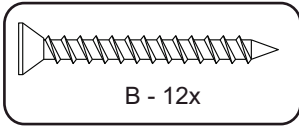


A	 8,0x30	24	I		04
B	 4,0x30	16	J		12
C	 3,0x14	24	K	 4,0x30	12
D		01	L		02
E		04	M		02
F	 1,3x8	30	N		06
G		02	O	 M4x25	02
H		04			

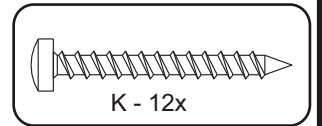
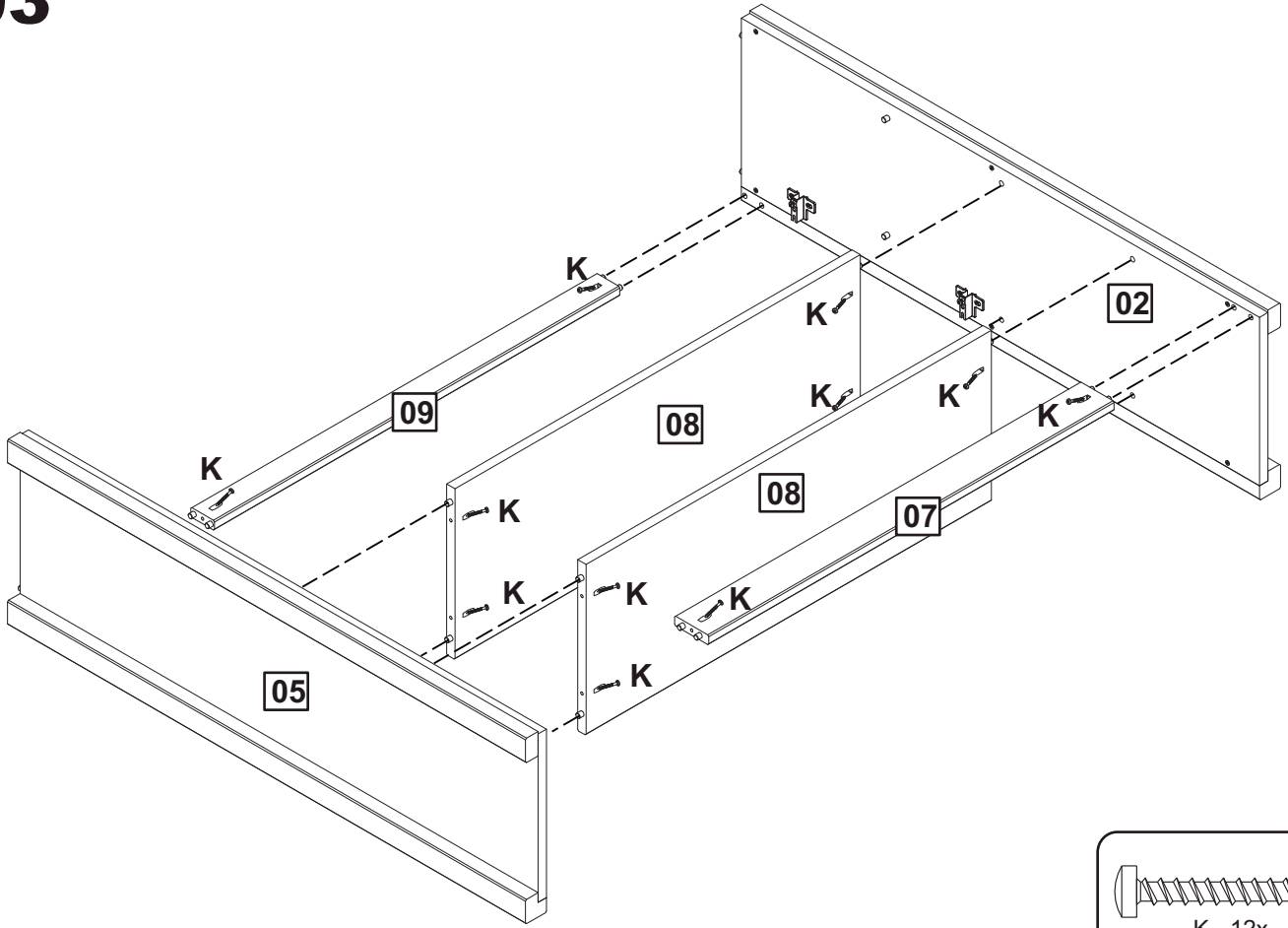
01



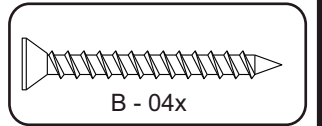
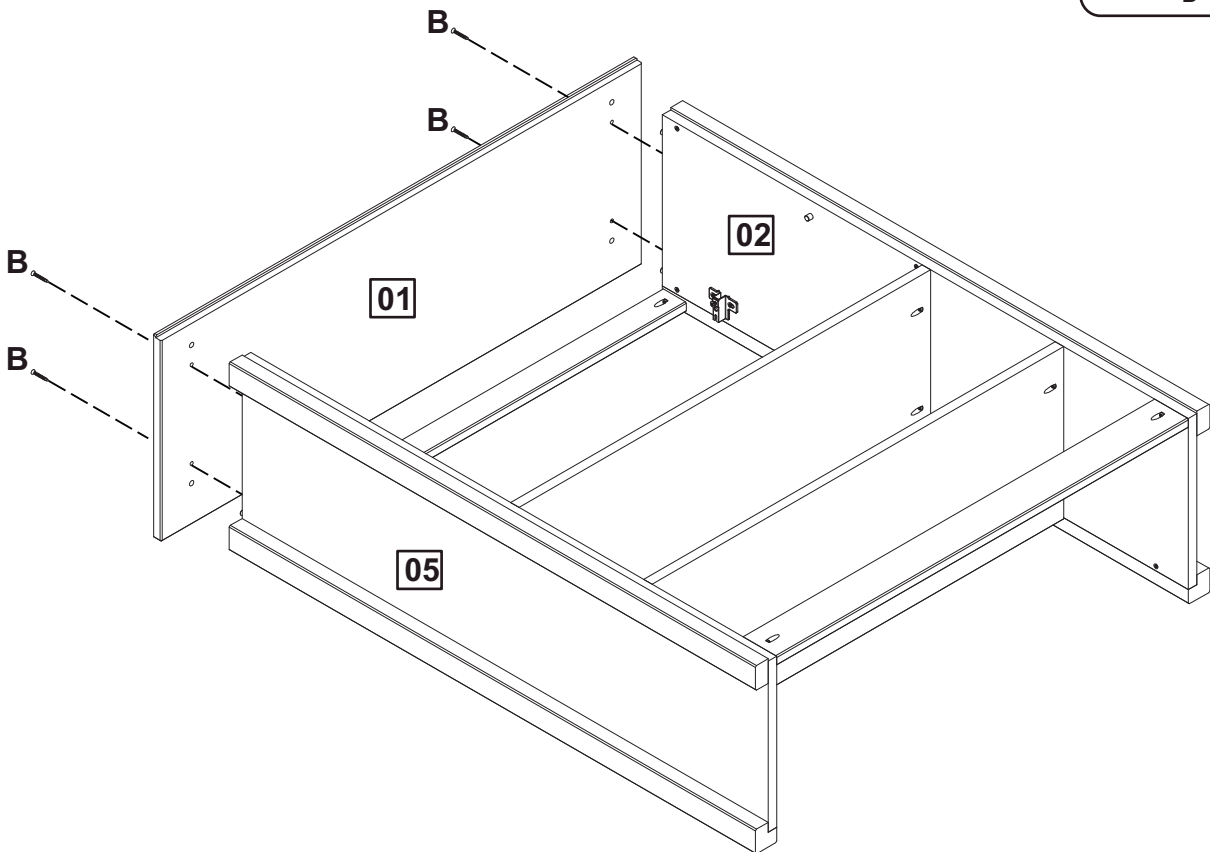
02



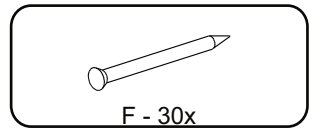
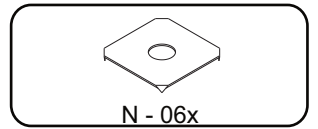
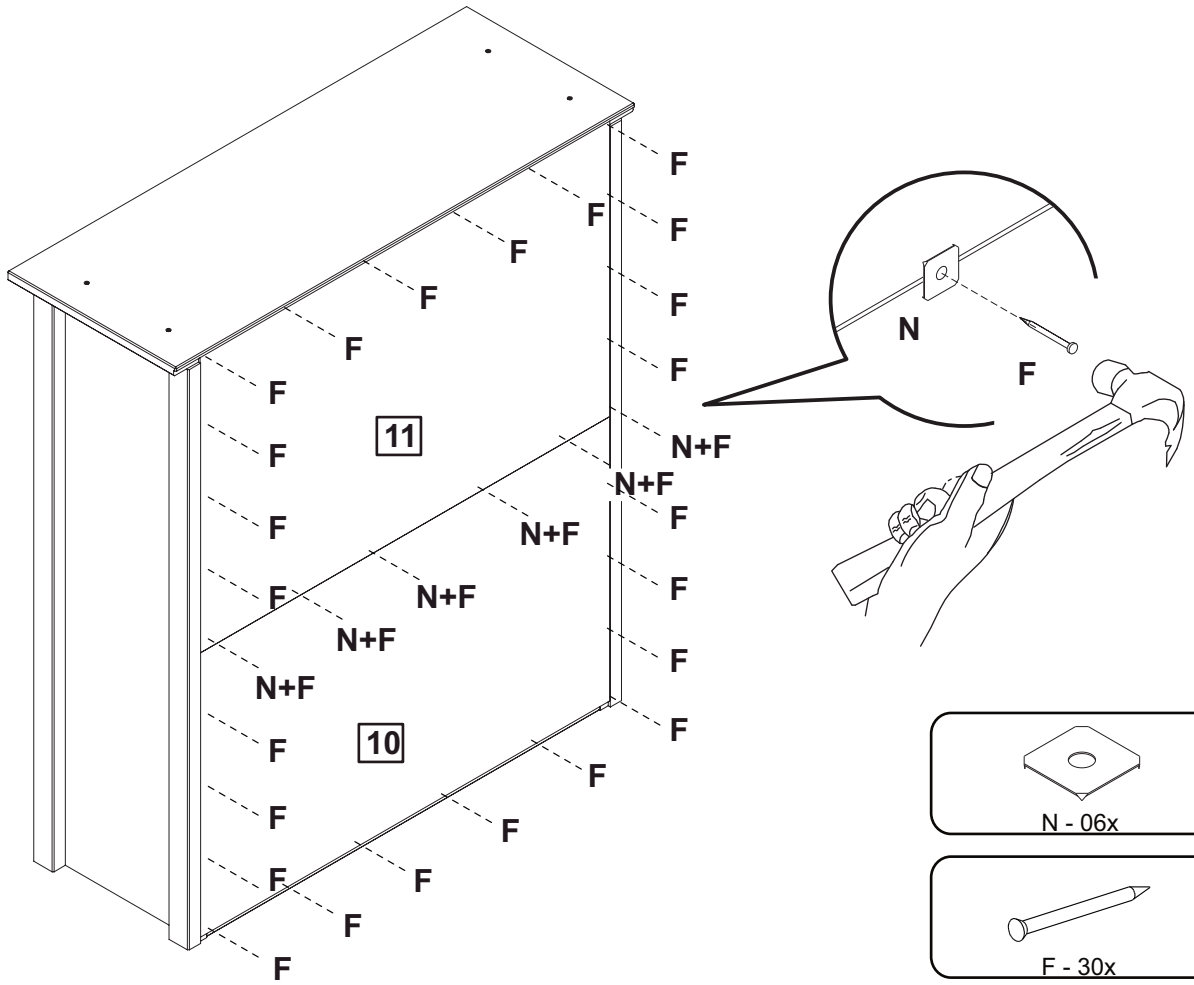
03



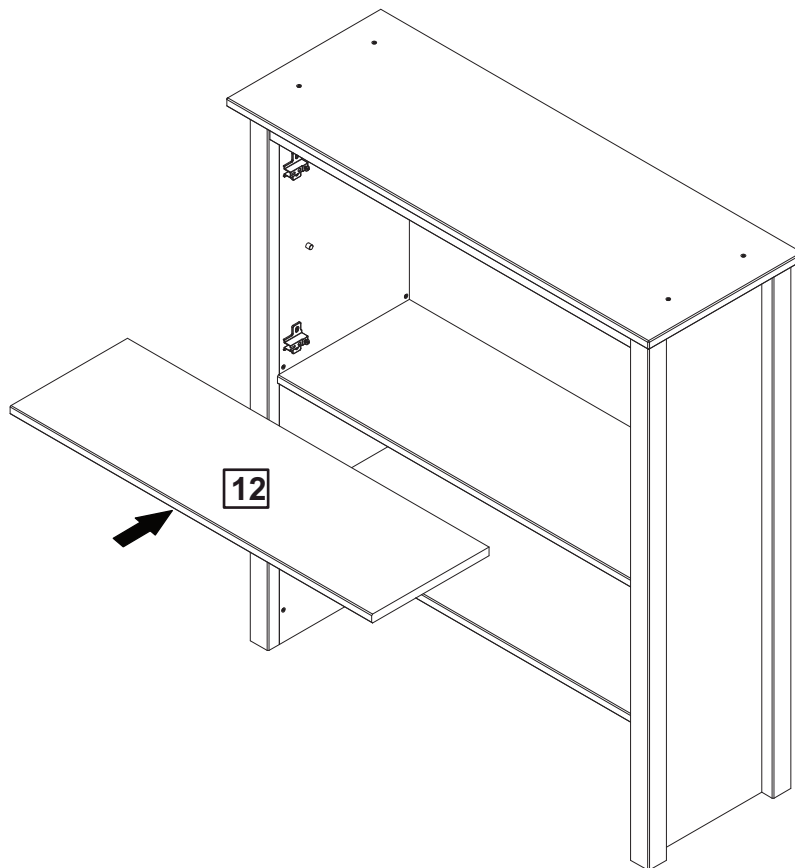
04



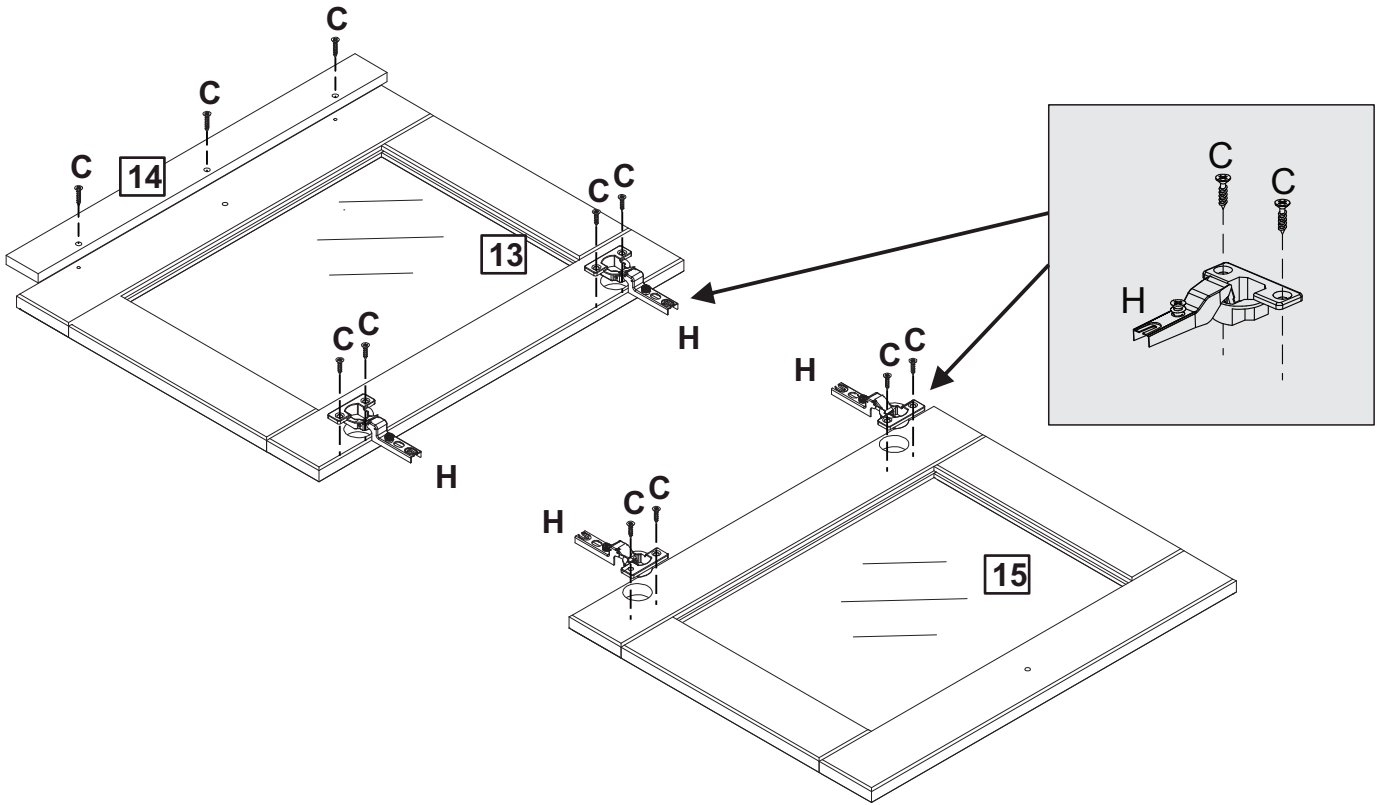
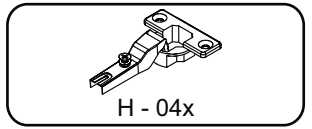
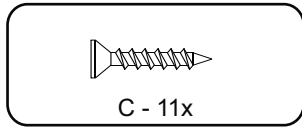
05



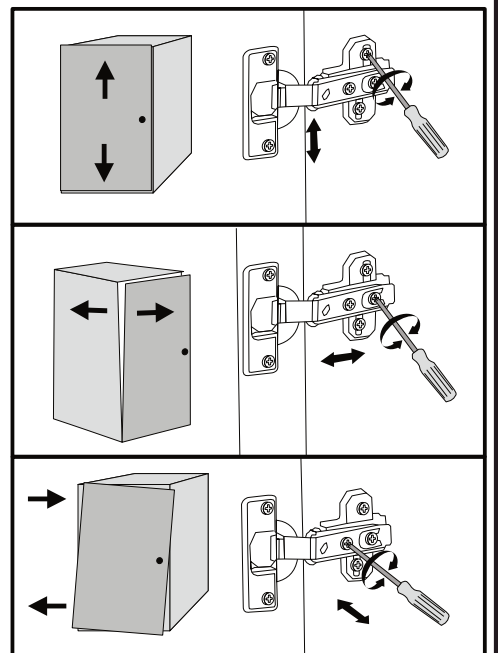
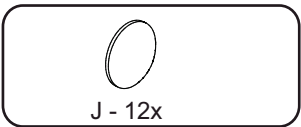
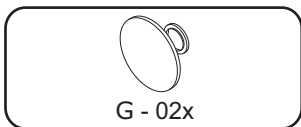
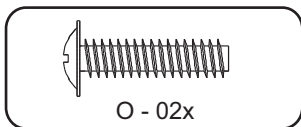
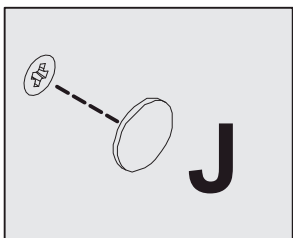
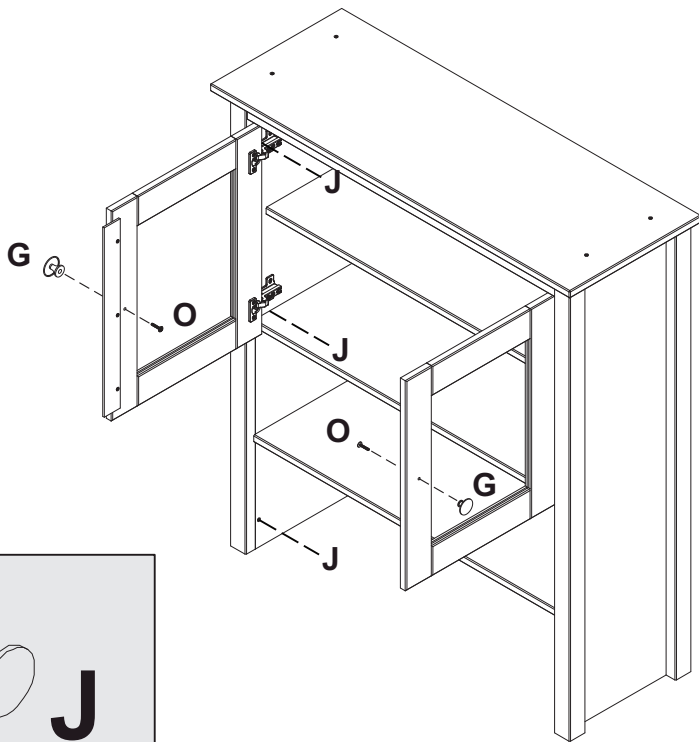
06



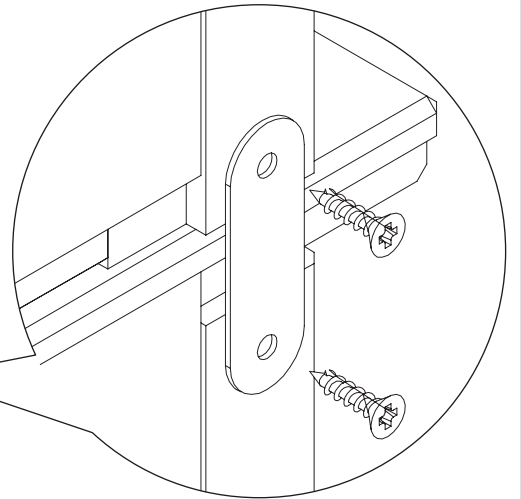
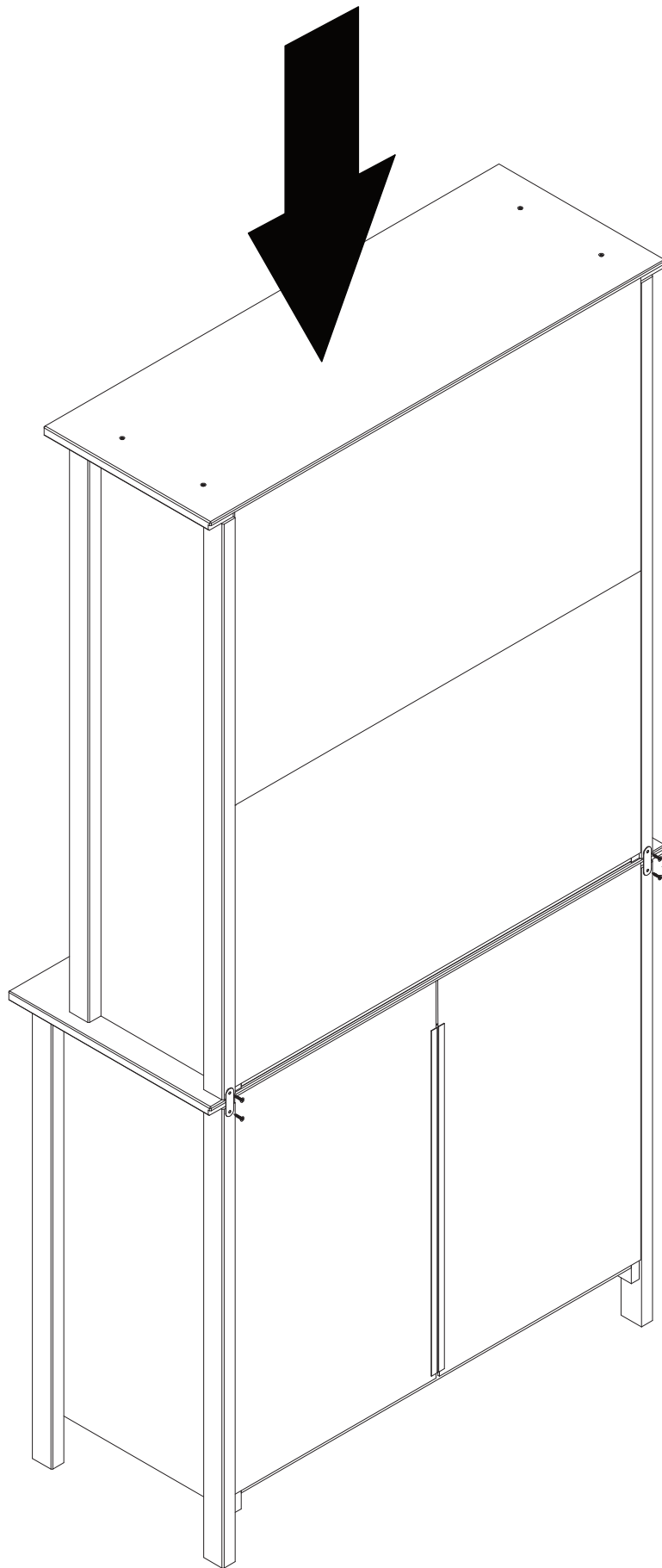
07



08



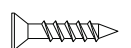
09



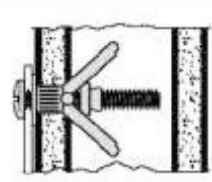
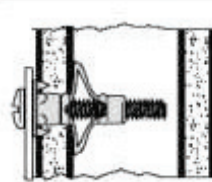
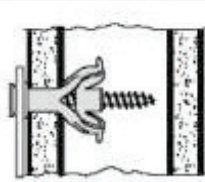
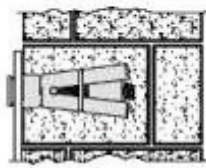
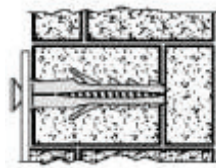
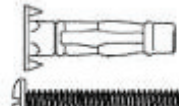
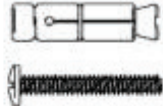
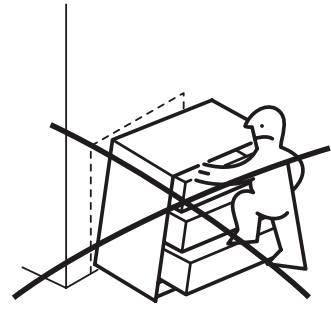
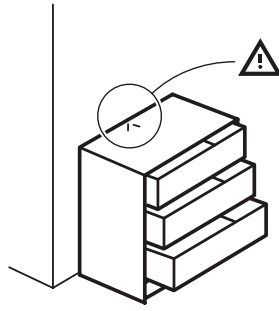
L x 02



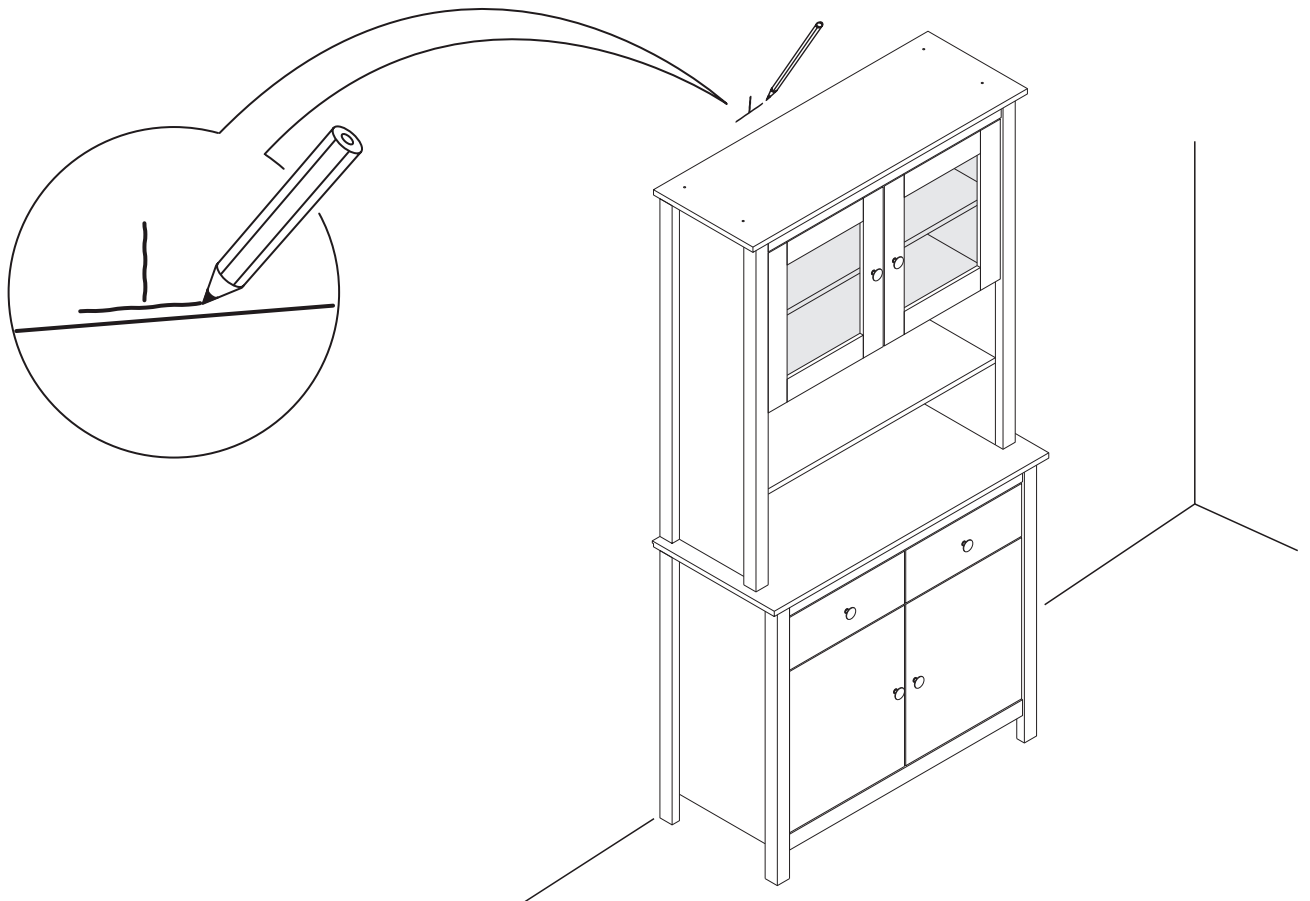
C x 04



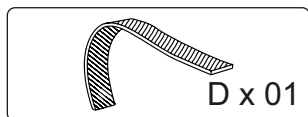
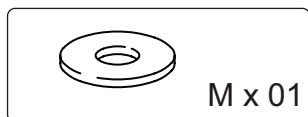
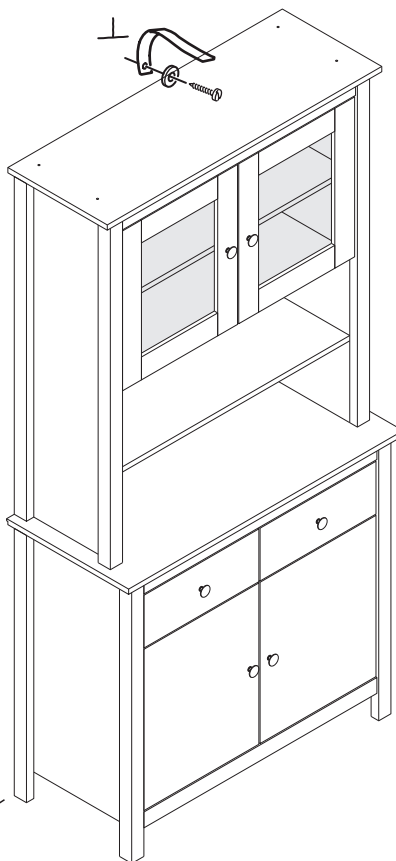
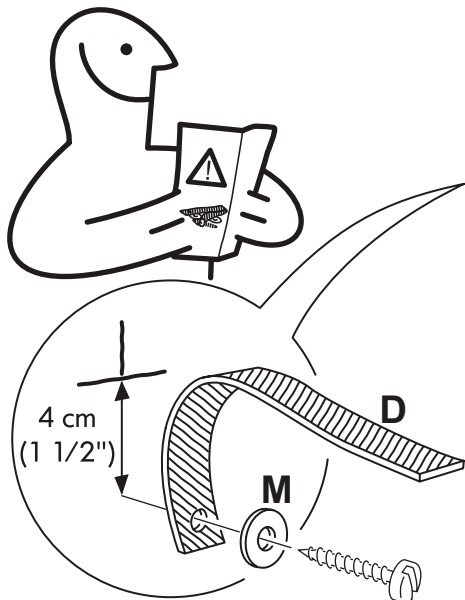
3,0 x 16mm



10



11



12

