







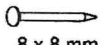






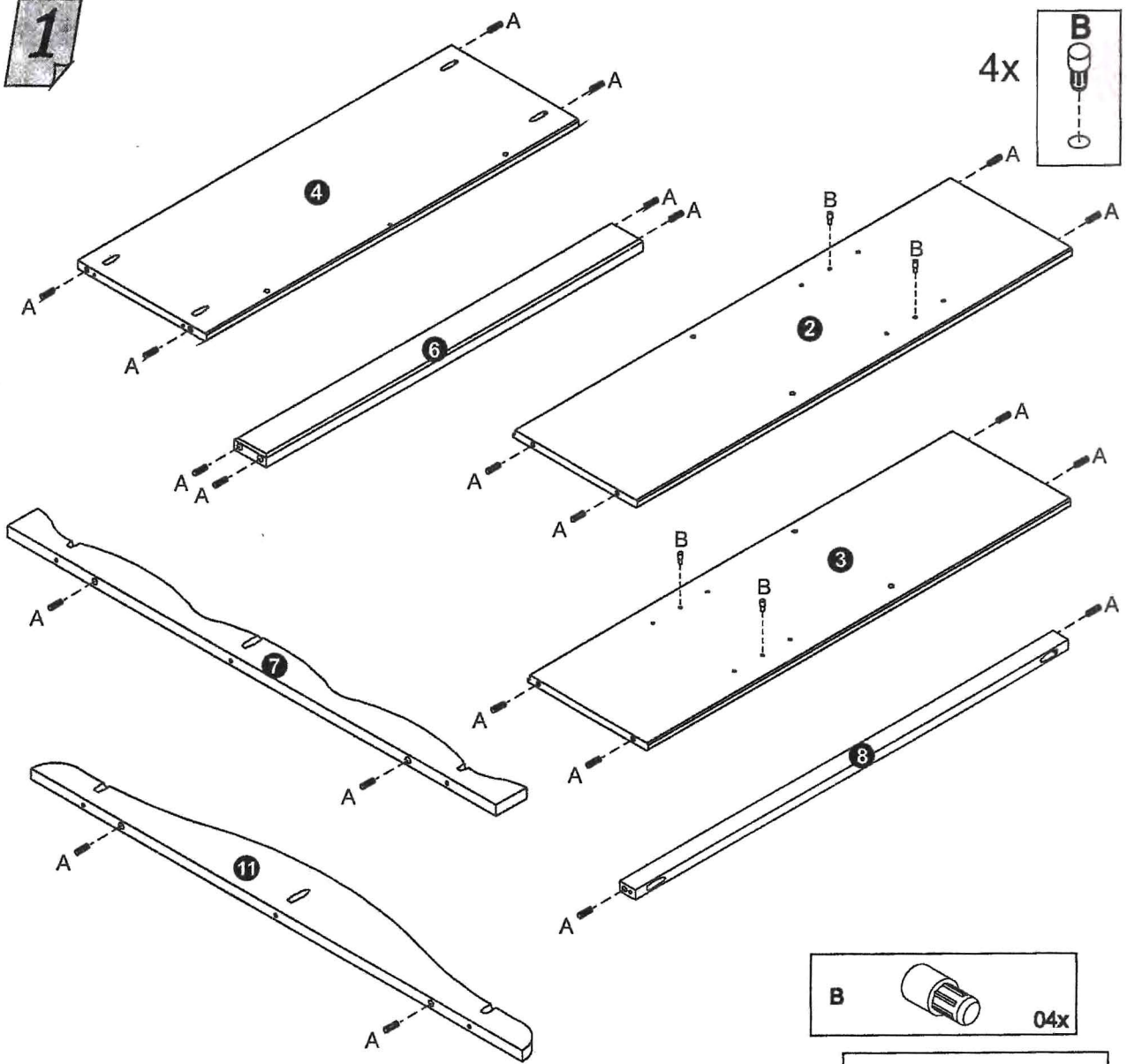


A		8,0 x 25 mm	22x
B			04x
C		4,0 x 30 mm	14x
D			01x
E		4,0 x 45 mm	10x


F		3,0 x 14 mm	40x
G			04x
H			08x
I		8 x 8 mm	35x
J			04x

K			02x
L			02x
M			01x
N			02x
O		3,0 x 16 mm	05x

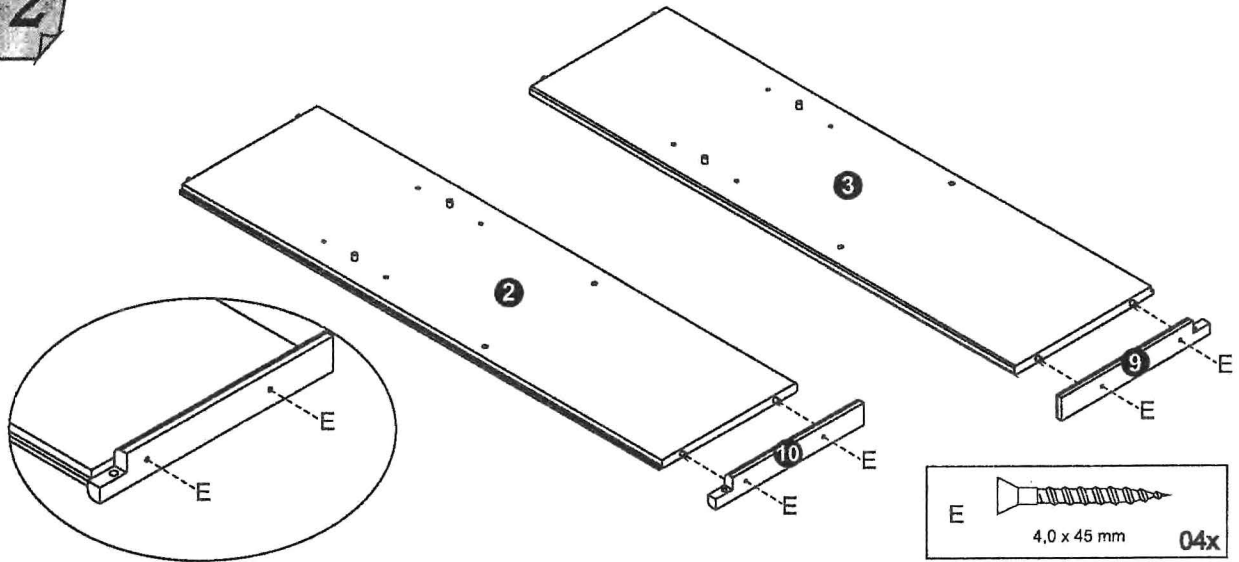
1



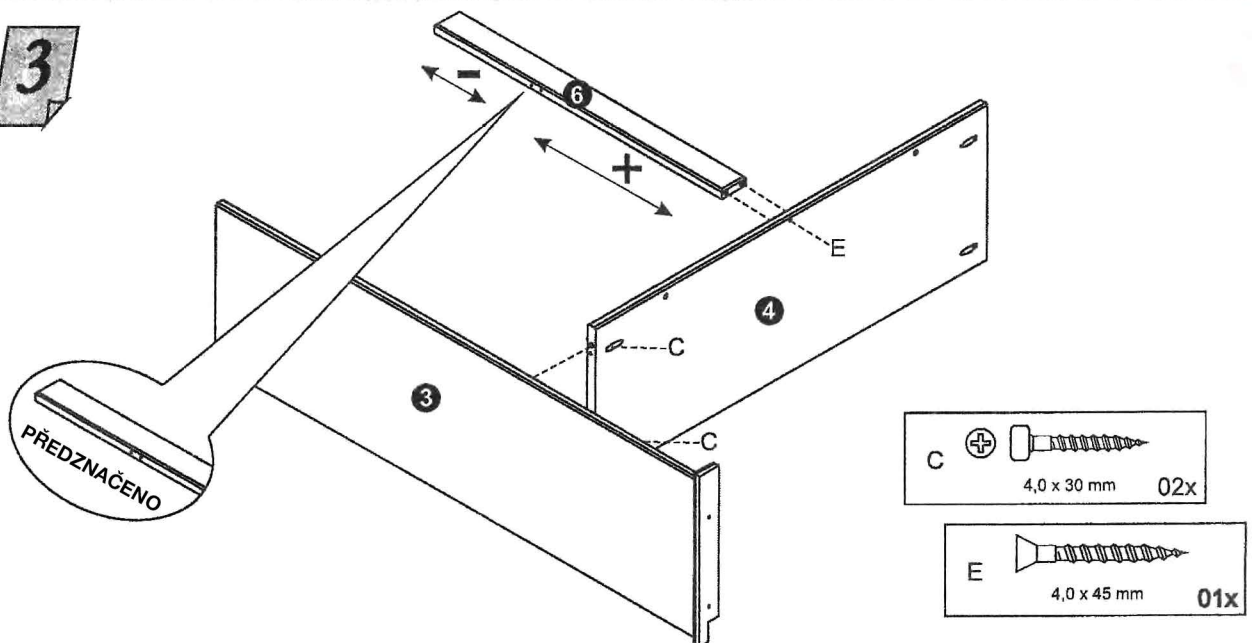
B			04x
---	---	--	-----

A		8,0 x 25 mm	22x
---	---	-------------	-----

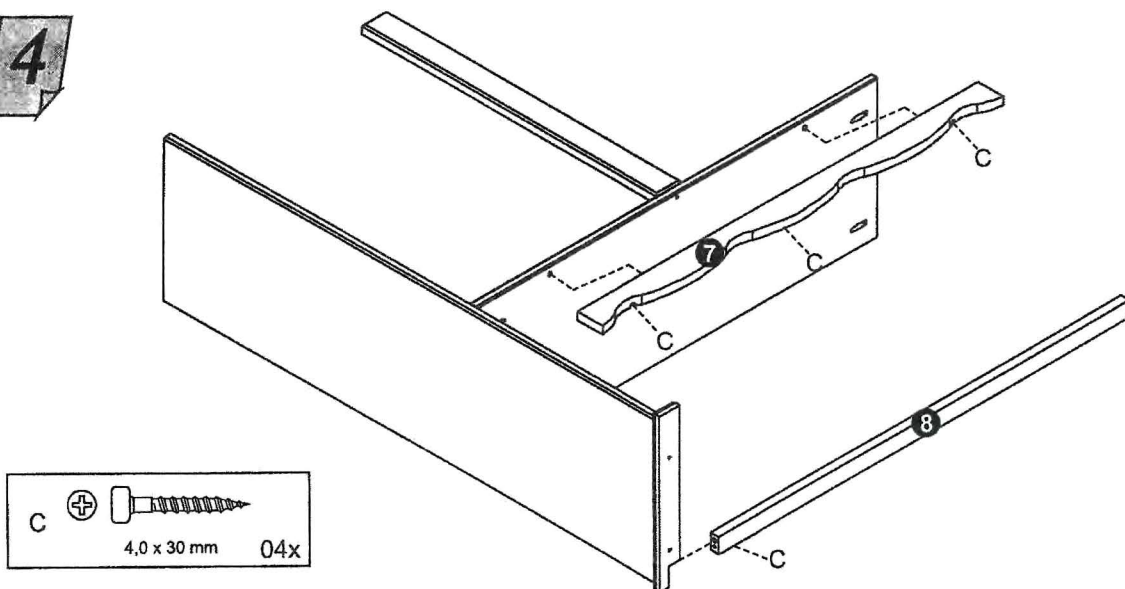
2



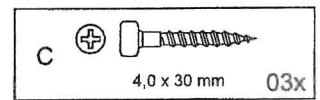
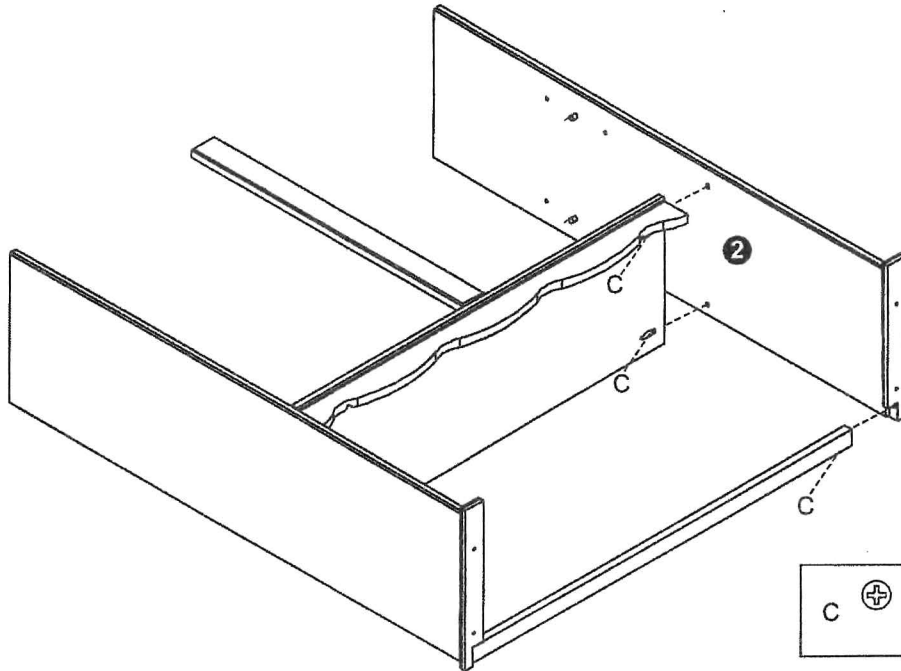
3



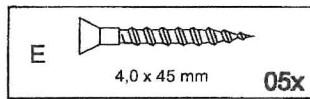
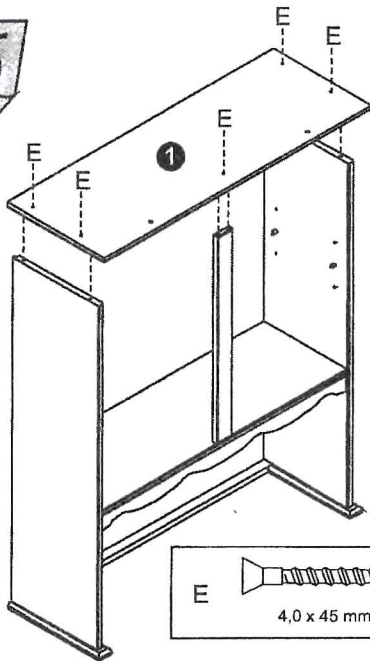
4



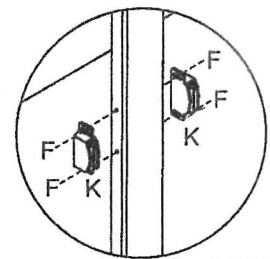
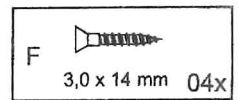
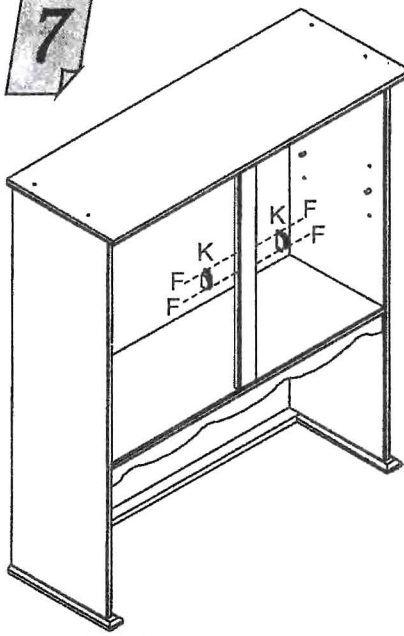
5



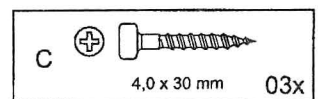
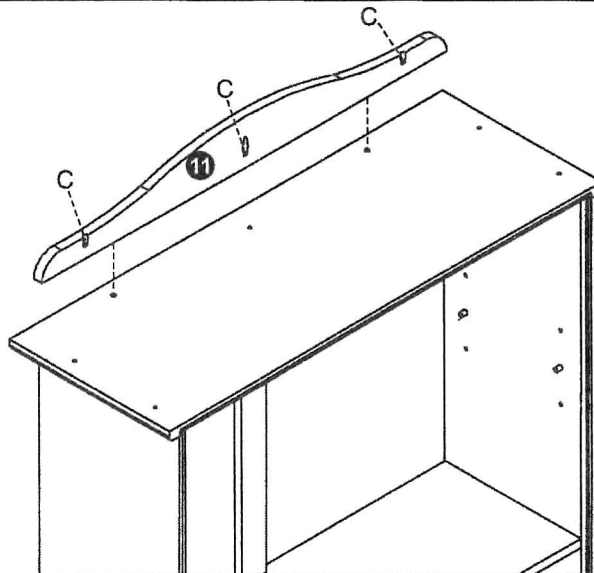
6



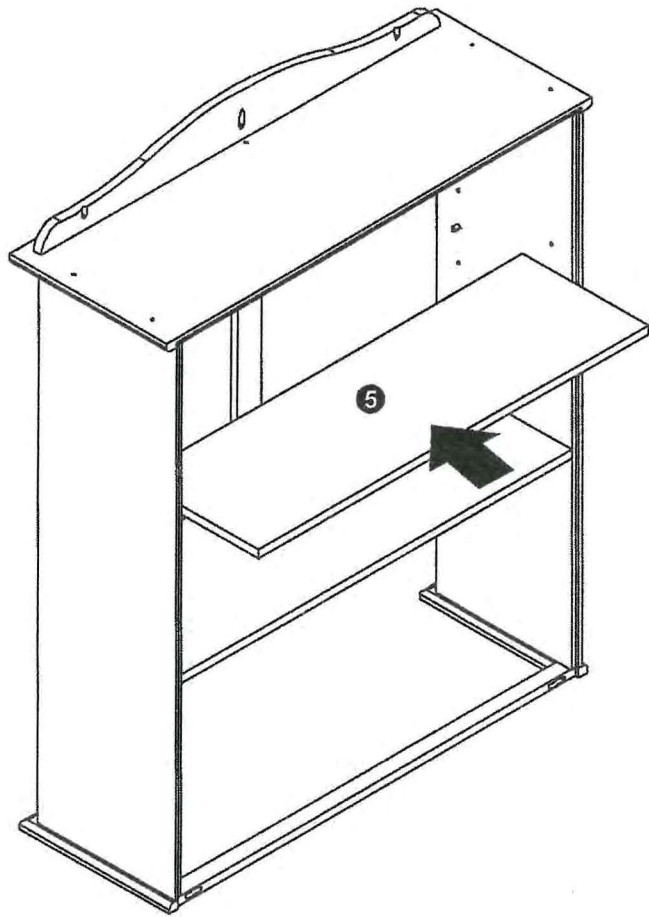
7



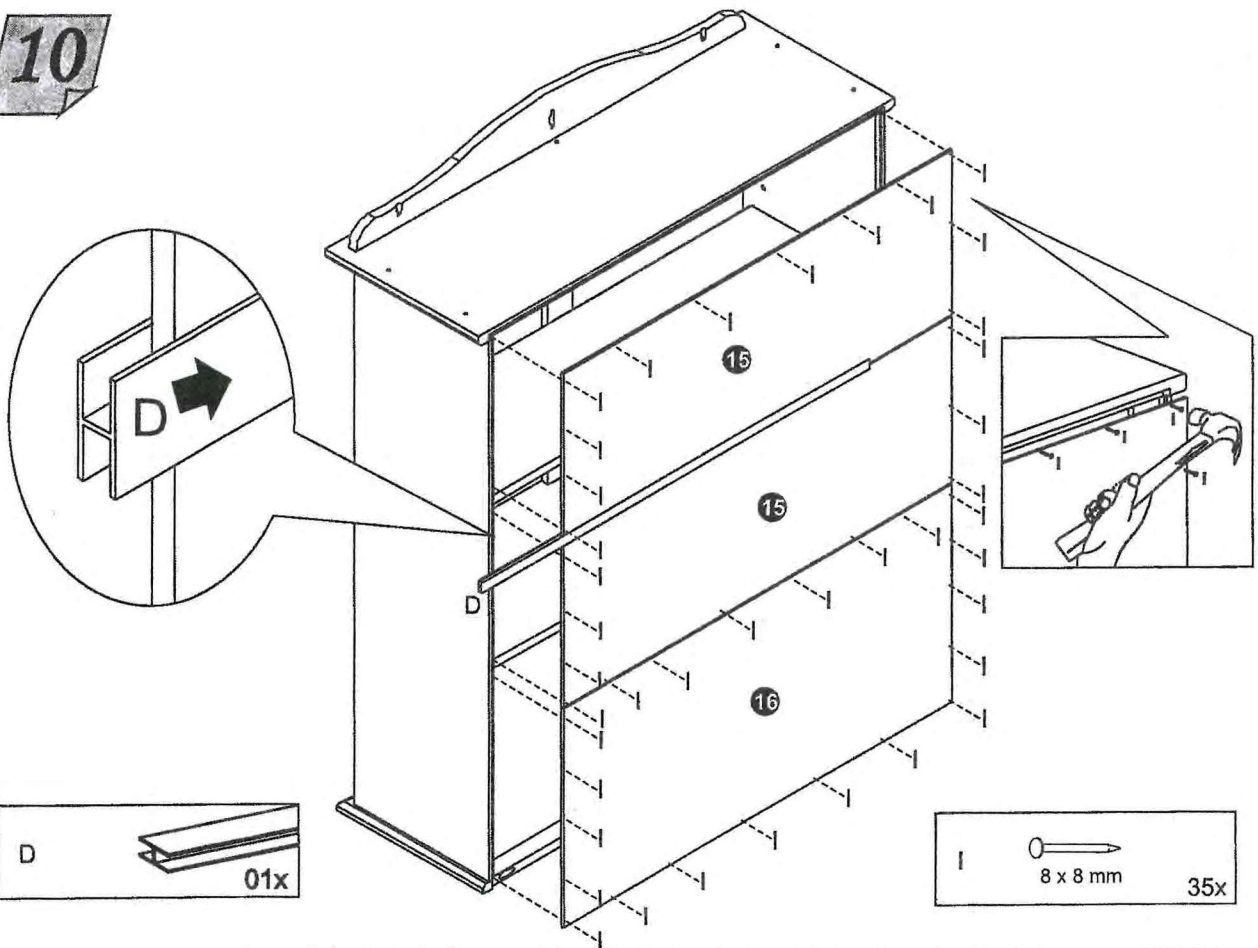
8



9

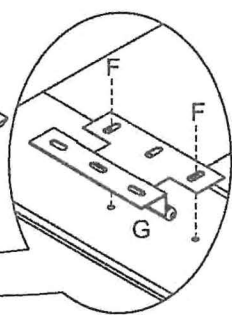
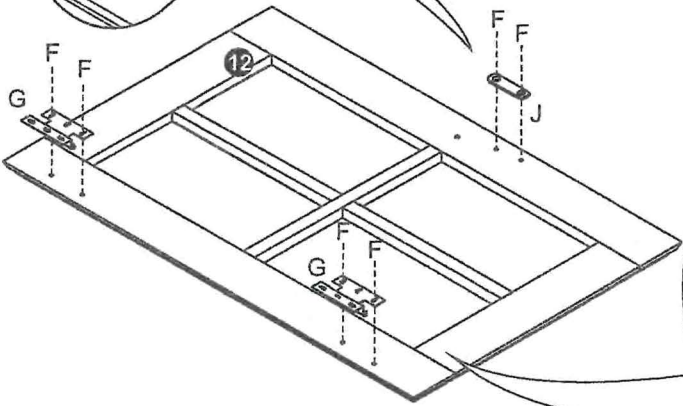
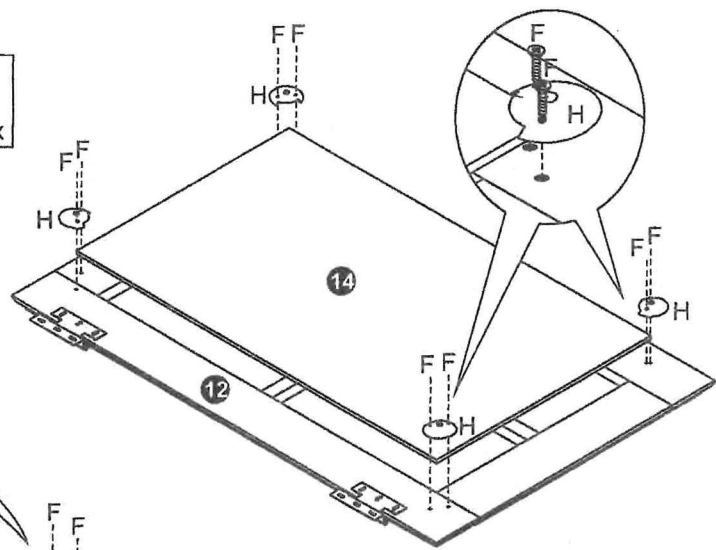
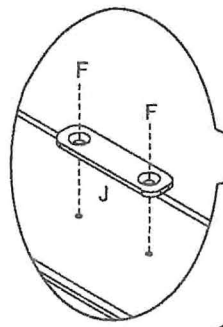


10



11

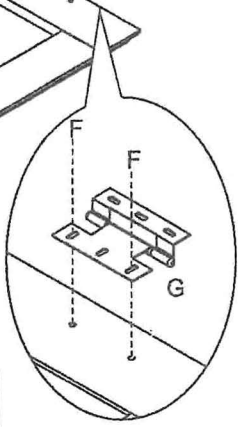
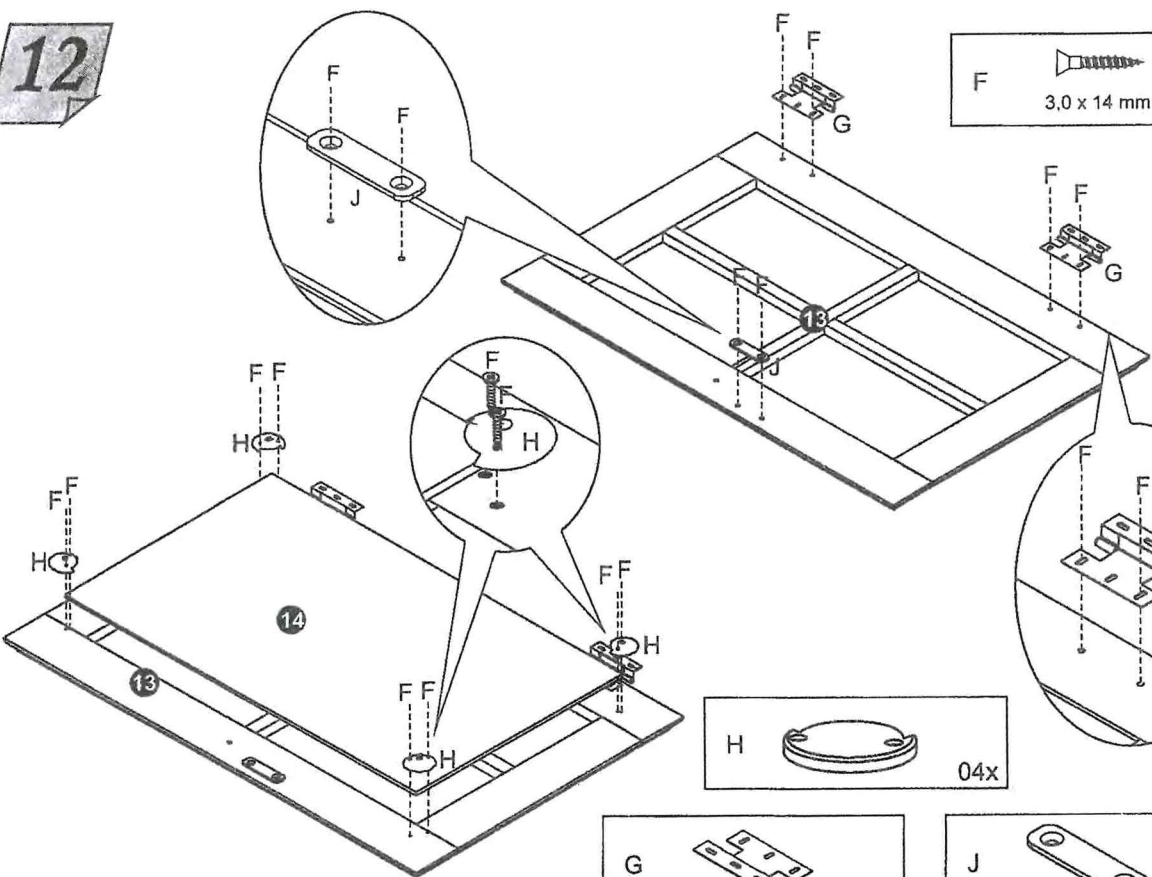
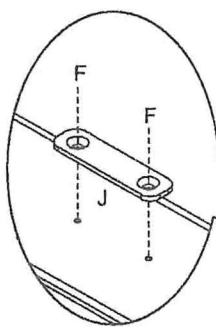
F 3,0 x 14 mm 14x



- H 04x
- G 02x
- J 01x

12

F 3,0 x 14 mm 14x

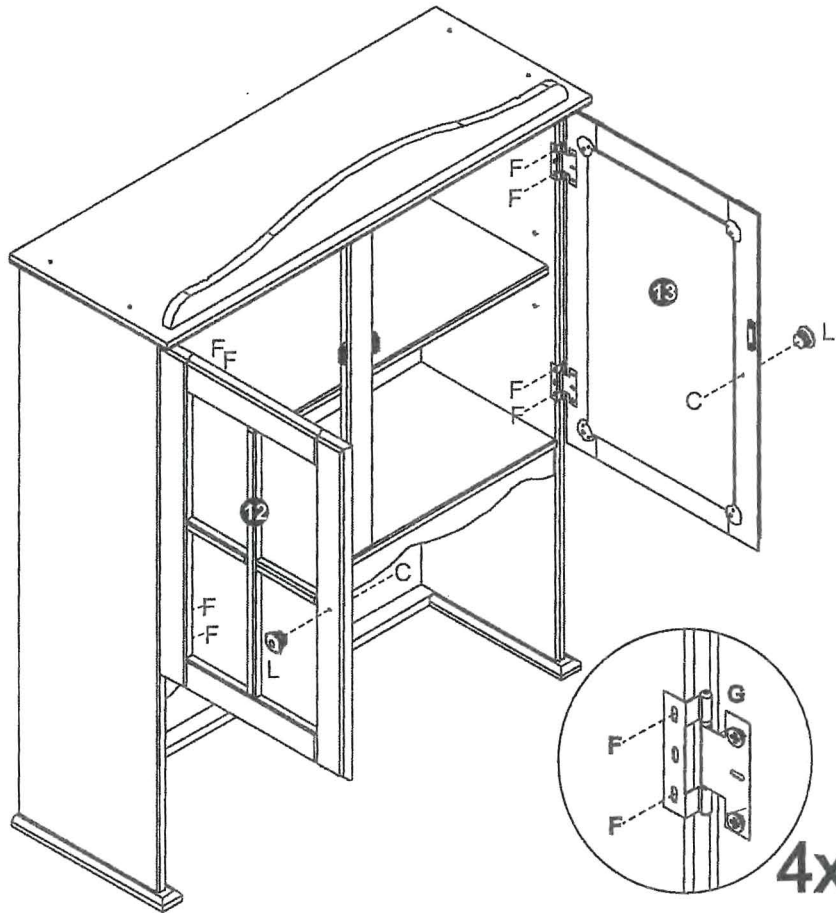


- H 04x

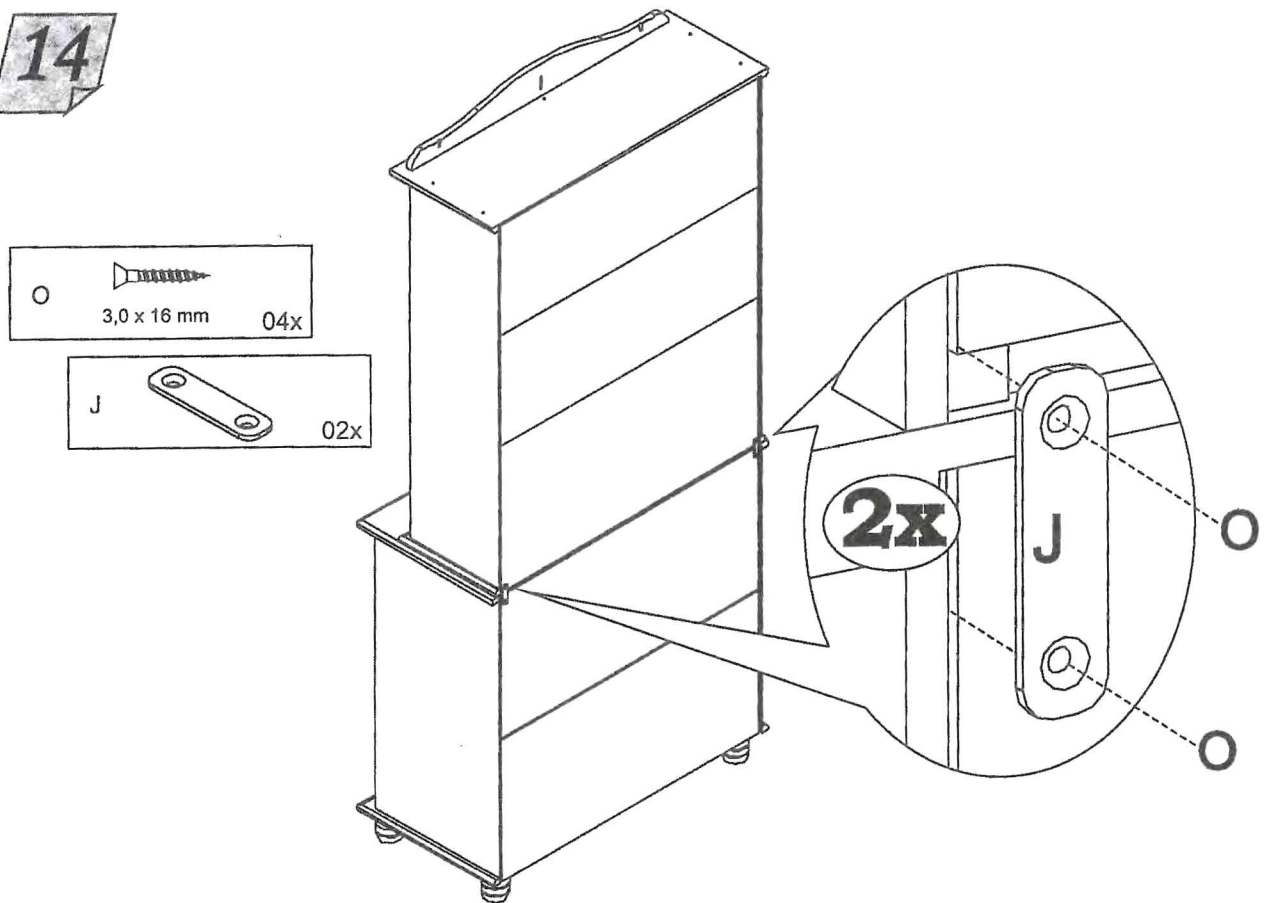
- G 02x

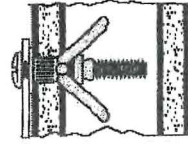
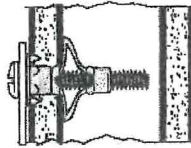
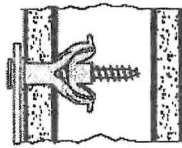
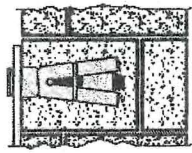
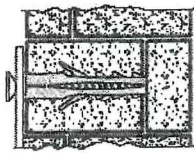
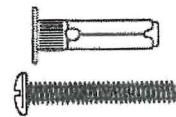
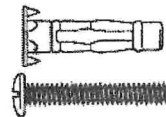
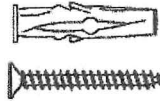
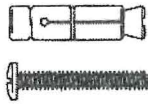
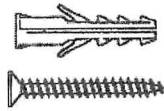
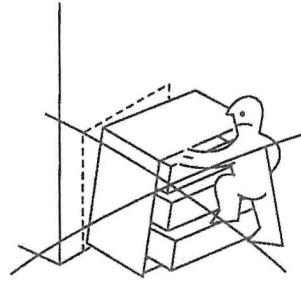
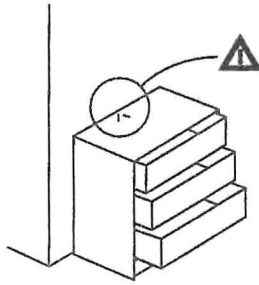
- J 01x

13

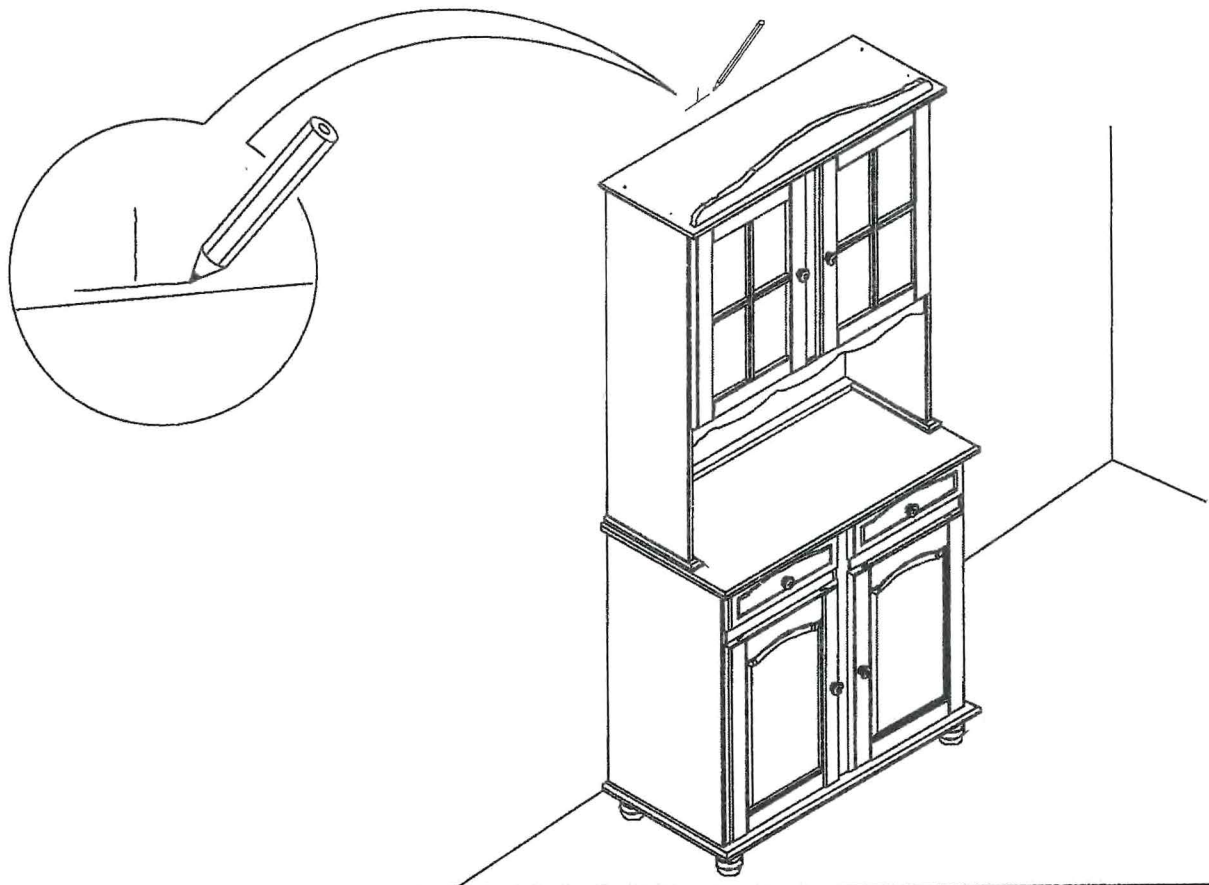


14

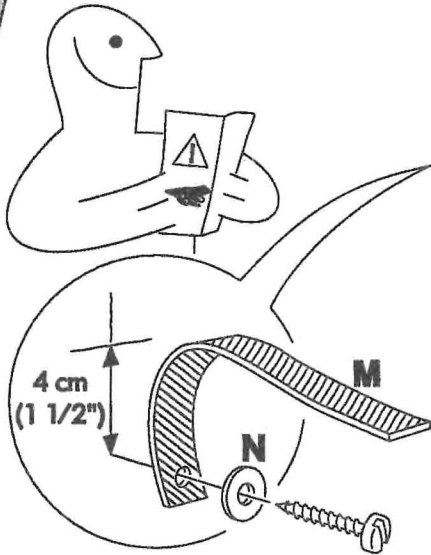






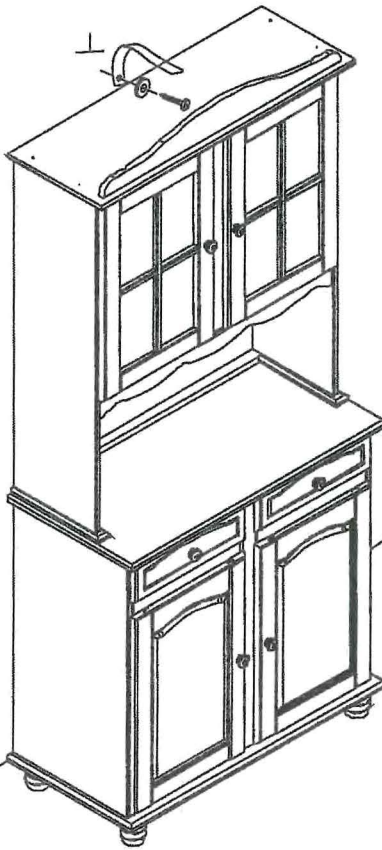
15



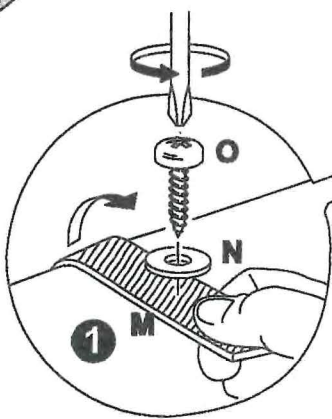
16





N		01 x
M		01 x



17



O		3,0 x 16 mm	01 x
N			01 x

