

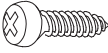

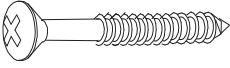


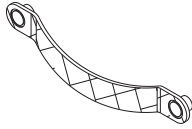
A x 32  Ø8x30mm

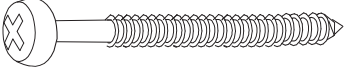
G x 12 

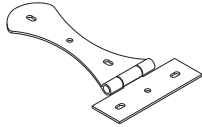
B x 34  Ø3,5x14mm

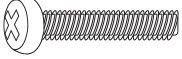
H x 8 


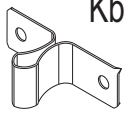
C x 16  Ø3,5x30mm


I x 3 

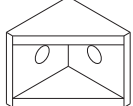
D x 16  Ø4,5x50mm

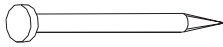
J x 2 

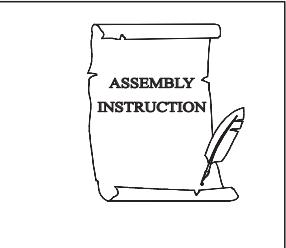
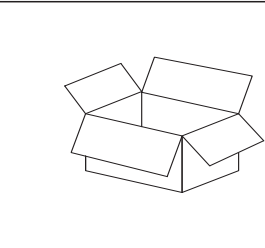
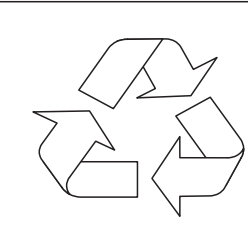
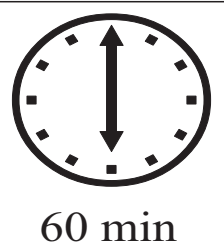
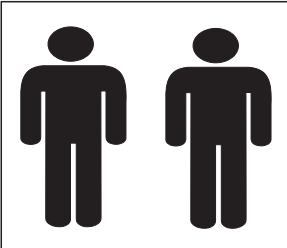
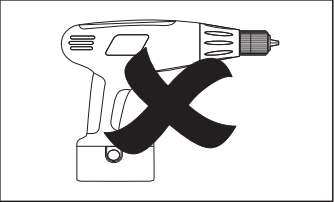
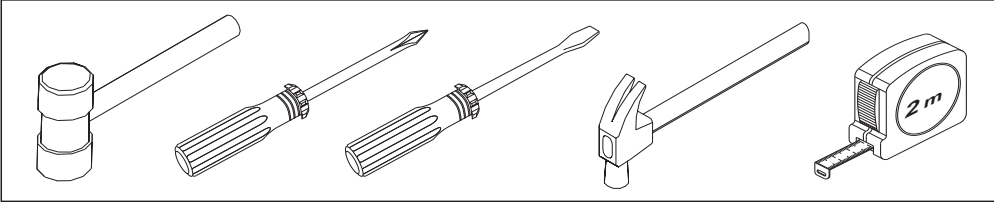
E x 6  ØM4x16mm

K x 1  Ka  Kb

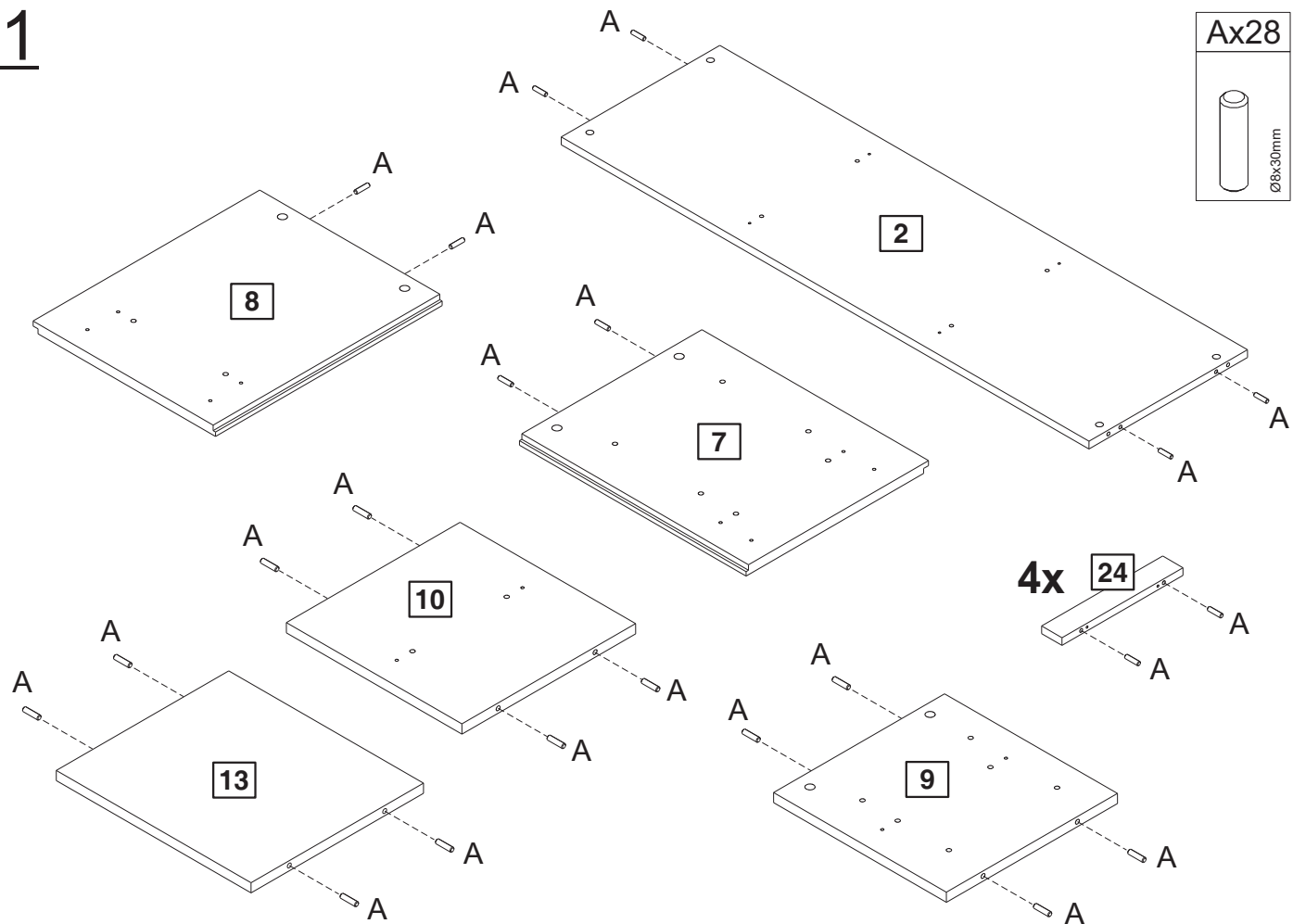
F x 20 

L x 8 

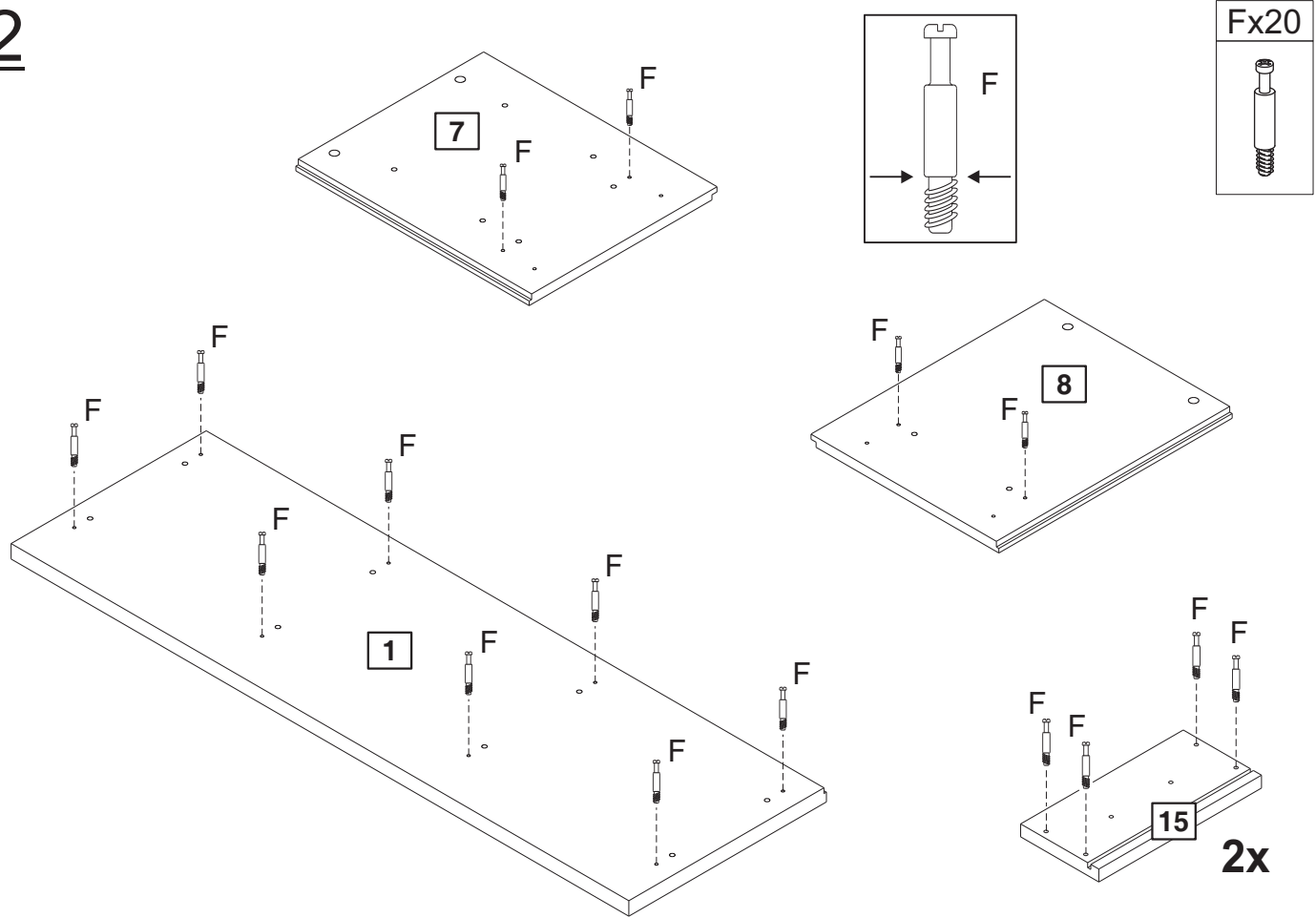
M x 32 



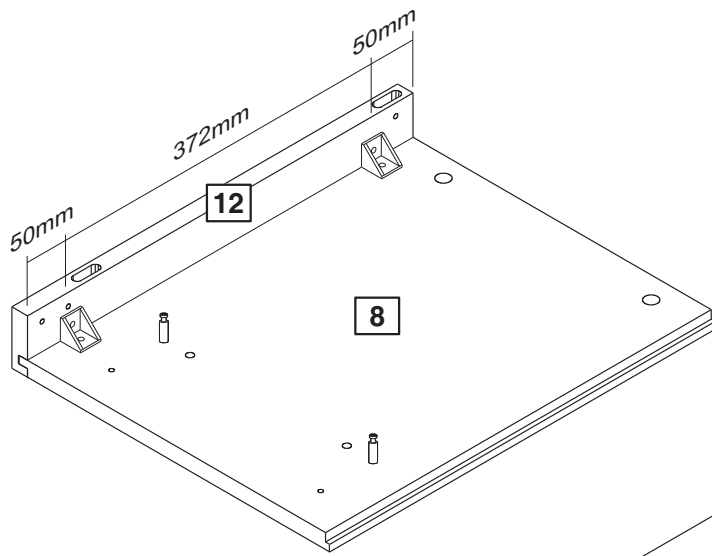
**1**


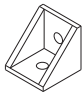


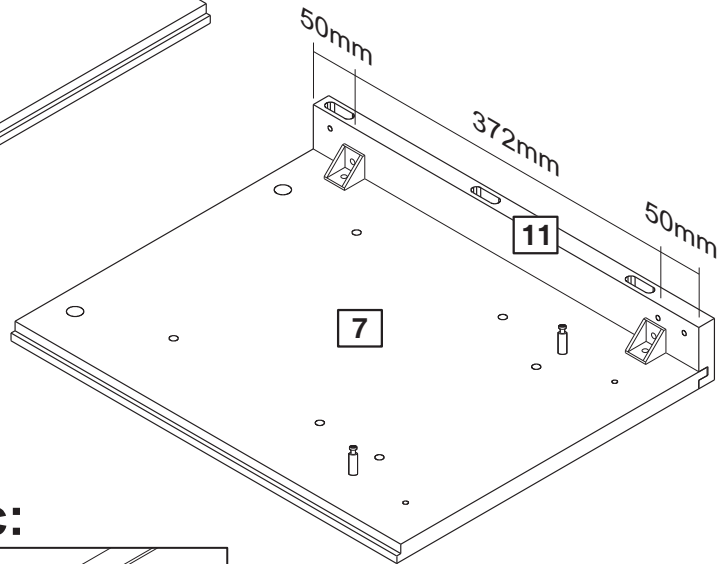
**2**



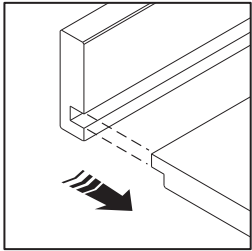
# 3



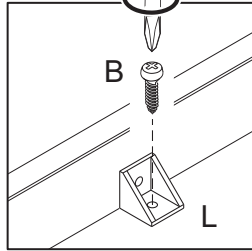
Bx8	Lx4
	
Ø3,5x14mm	



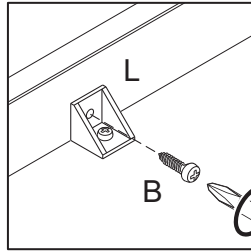
**a:**



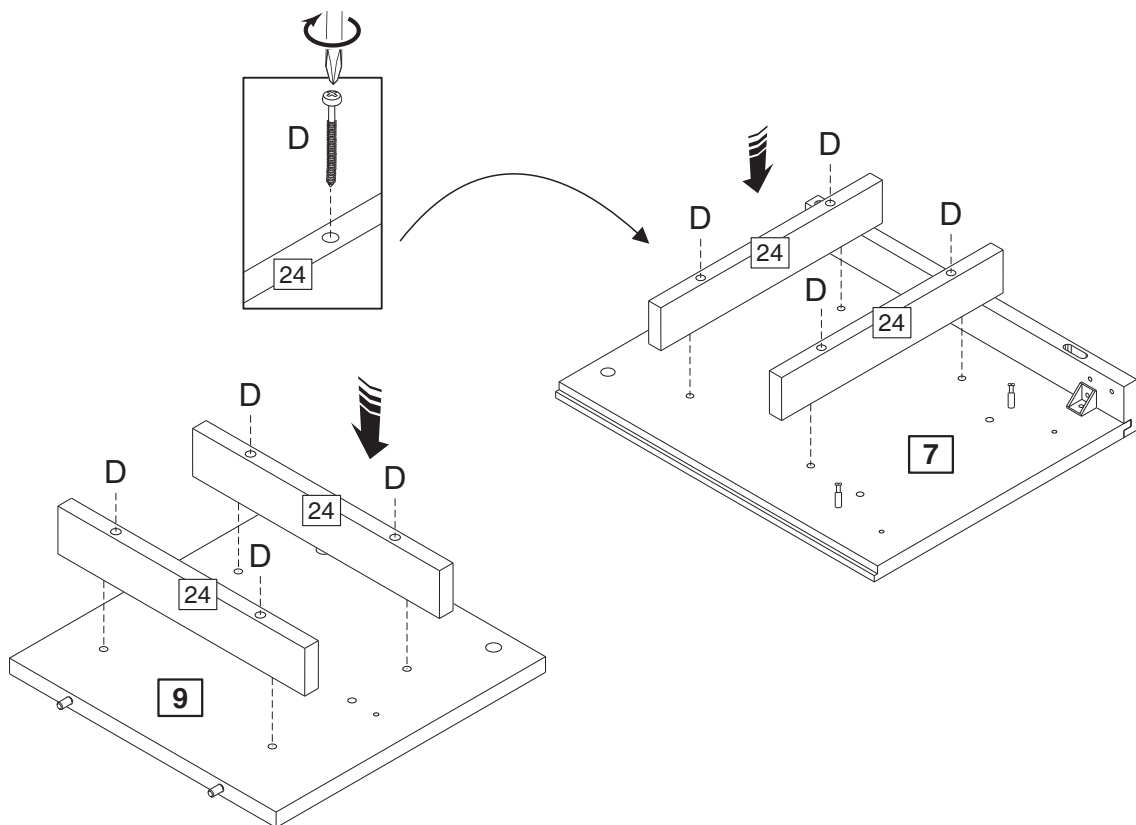
**b:**




**c:**

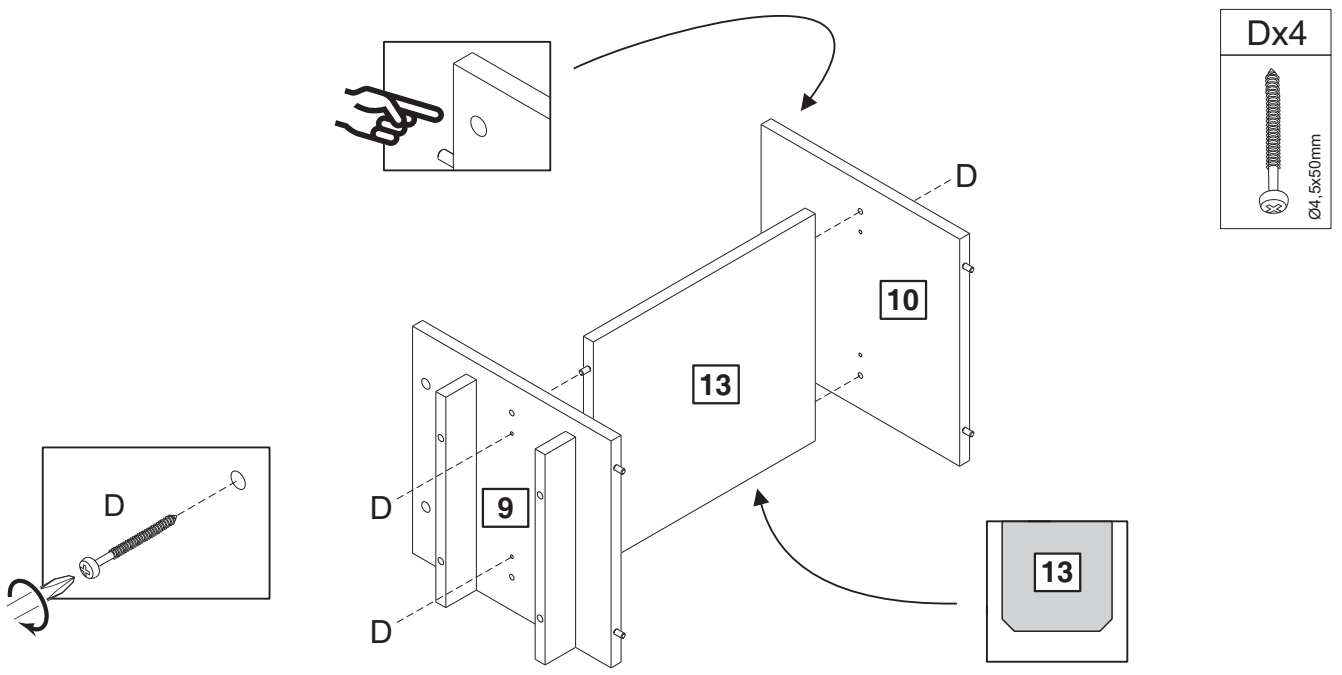


# 4

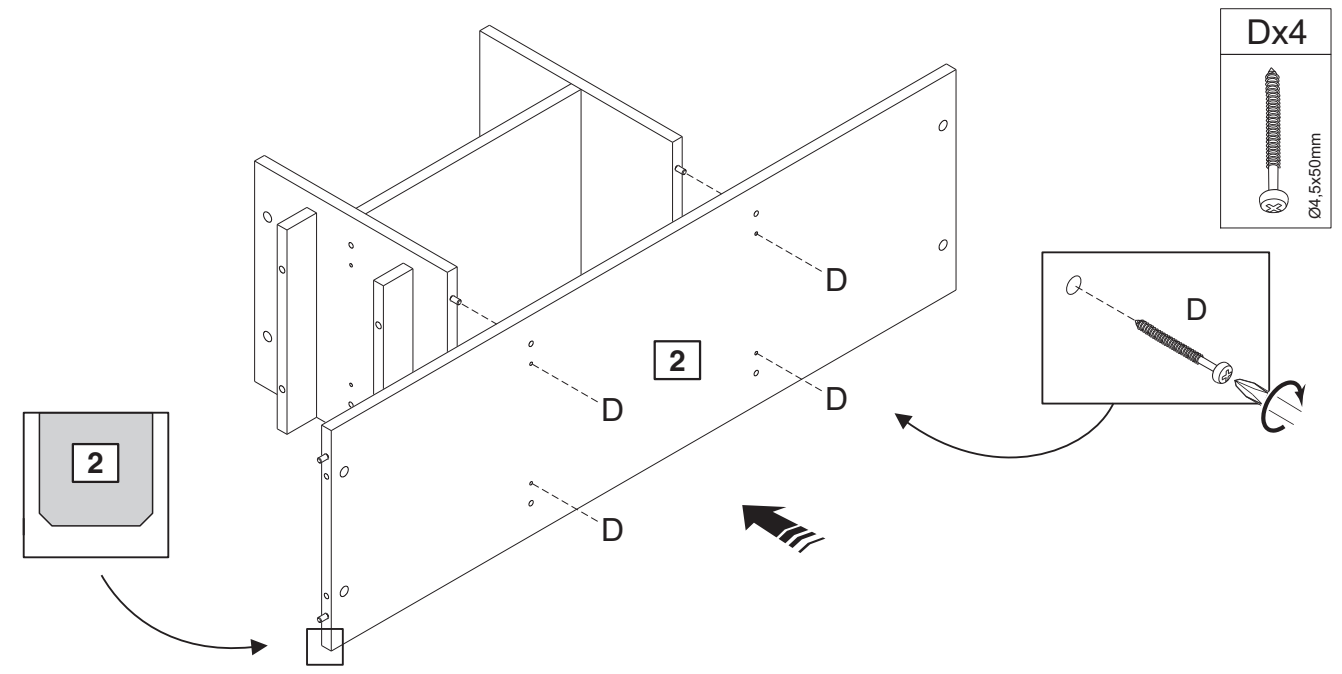


Dx8

Ø4,5x50mm

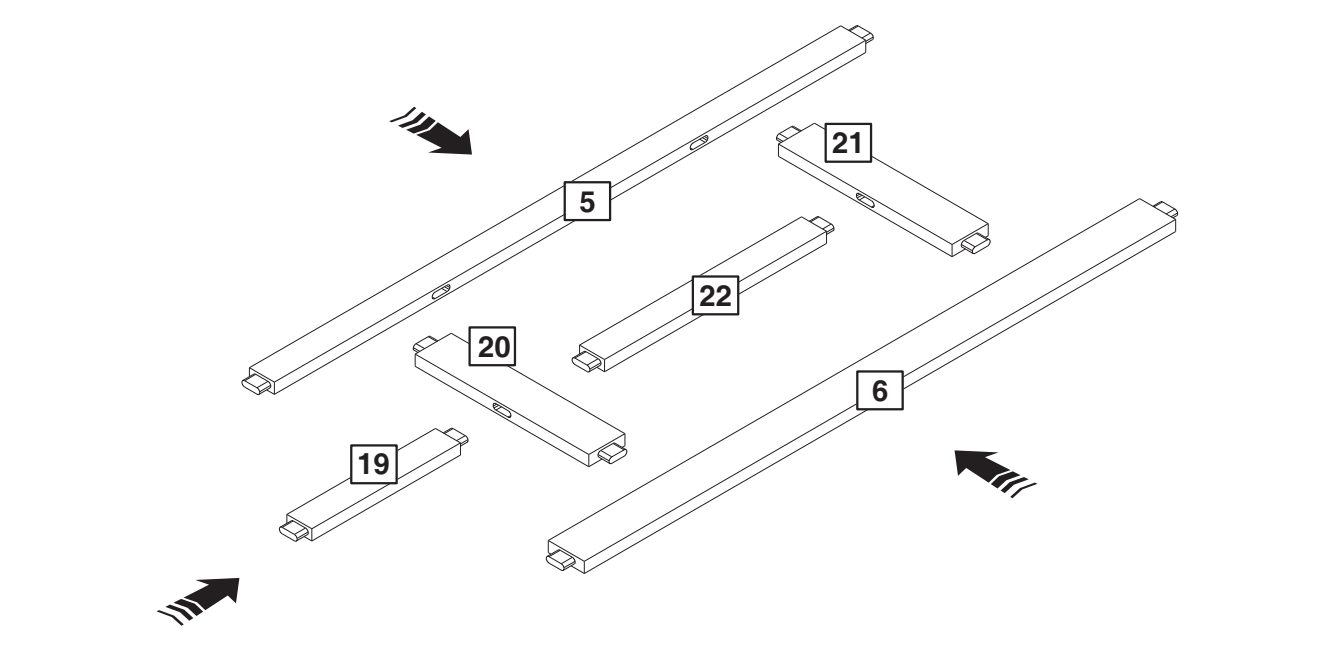
5



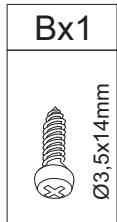
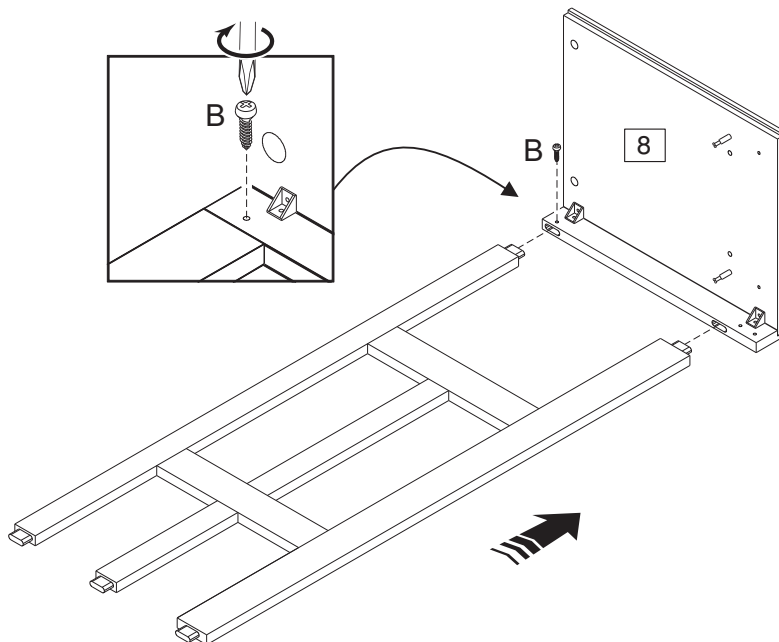
6



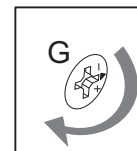
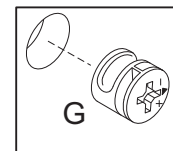
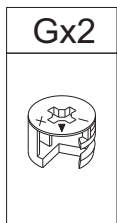
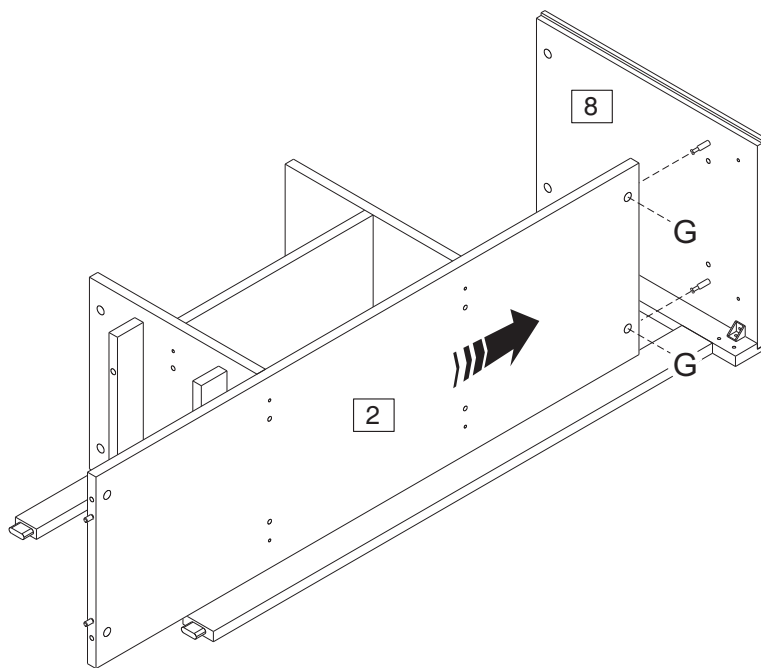
7



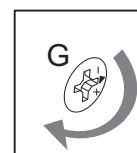
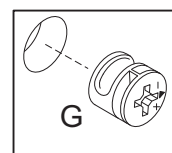
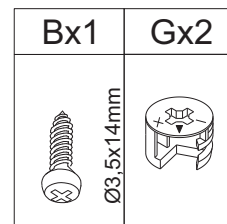
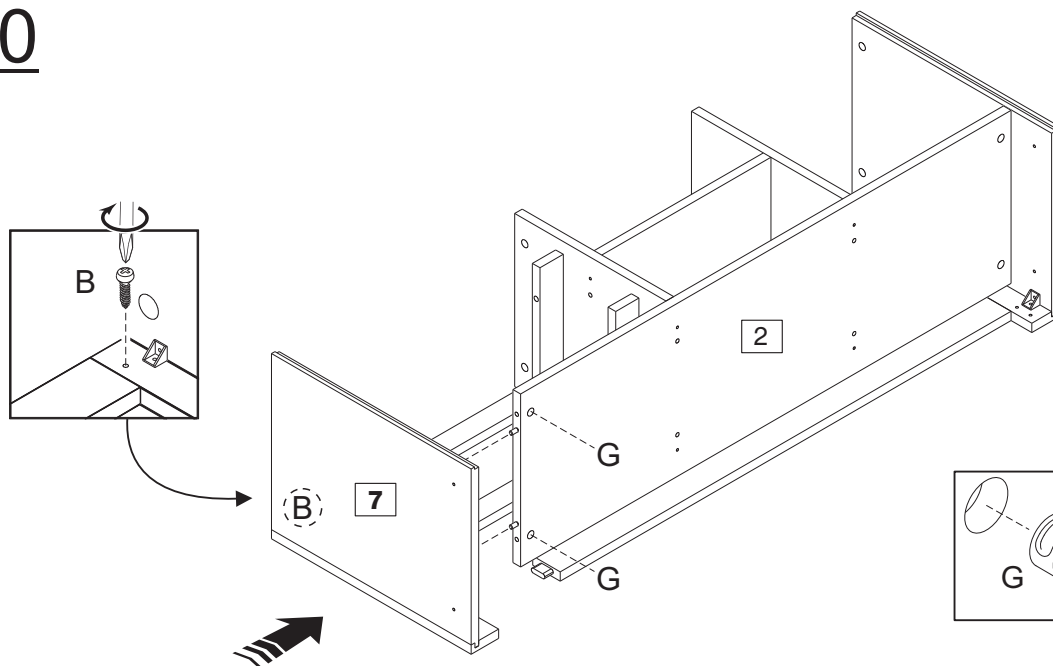
8



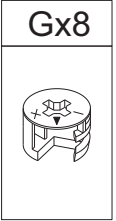
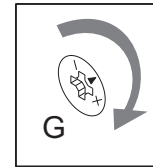
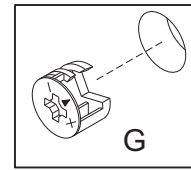
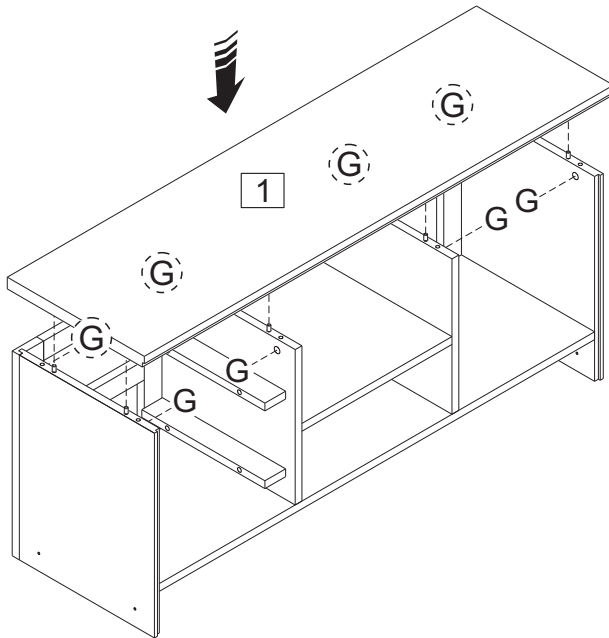
9



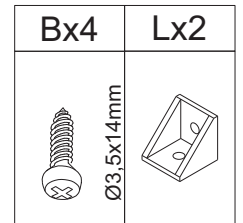
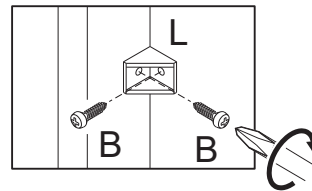
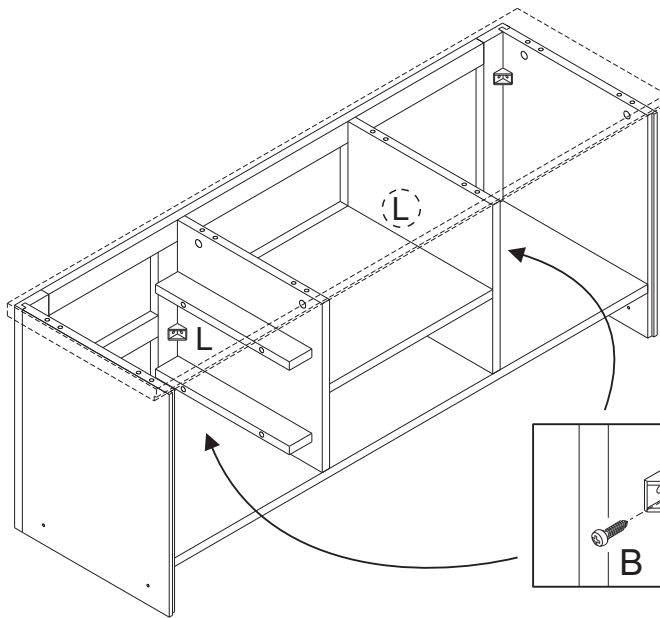
10



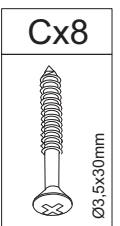
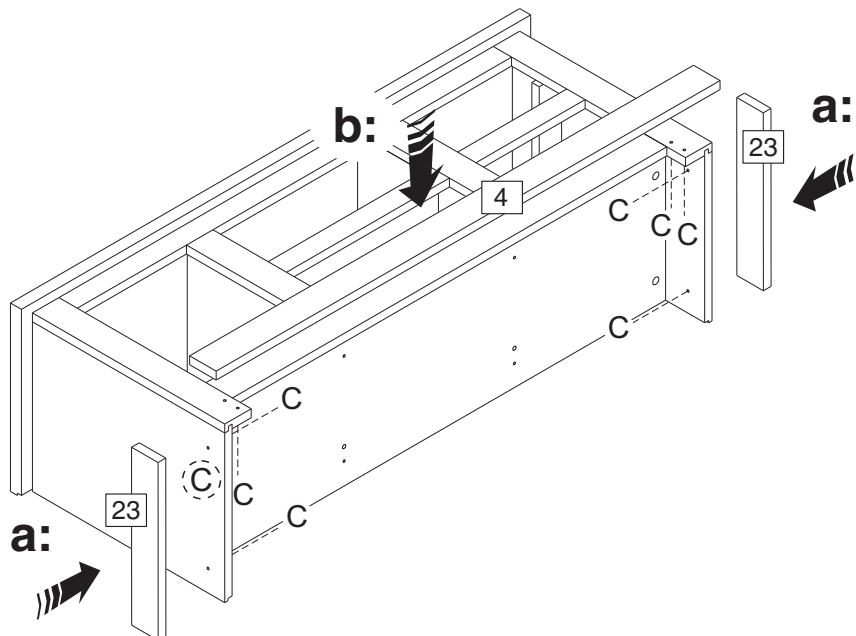
11



12

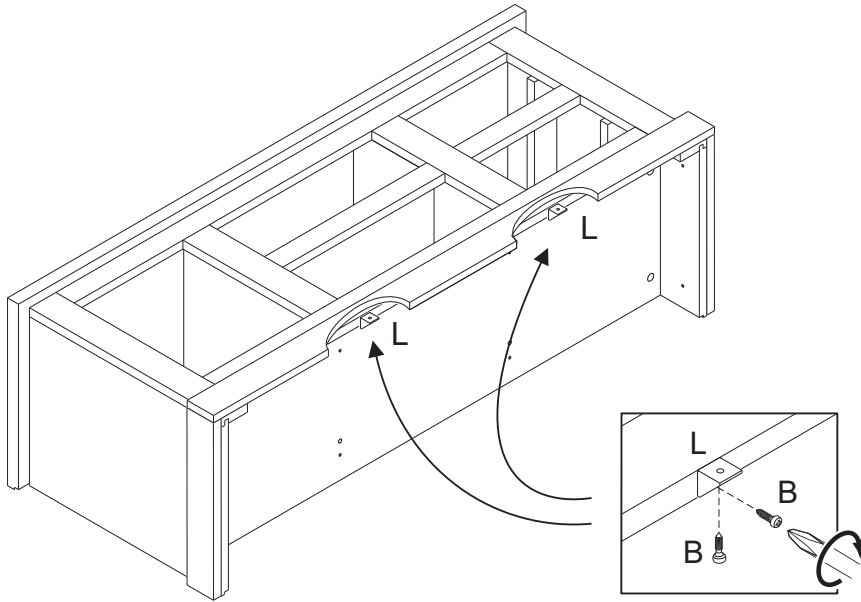



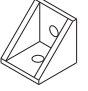
13



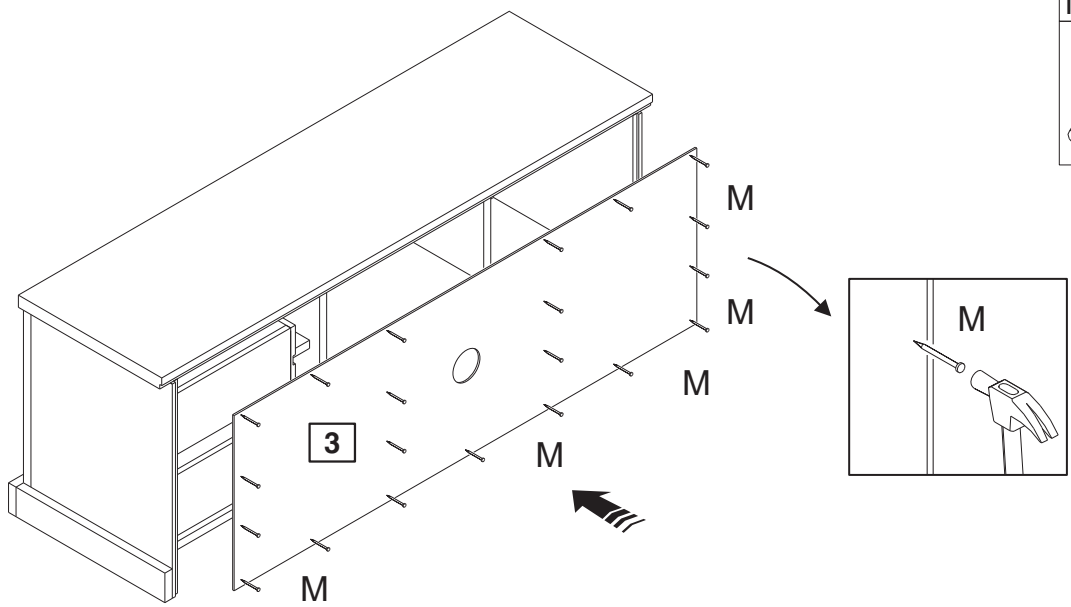



14



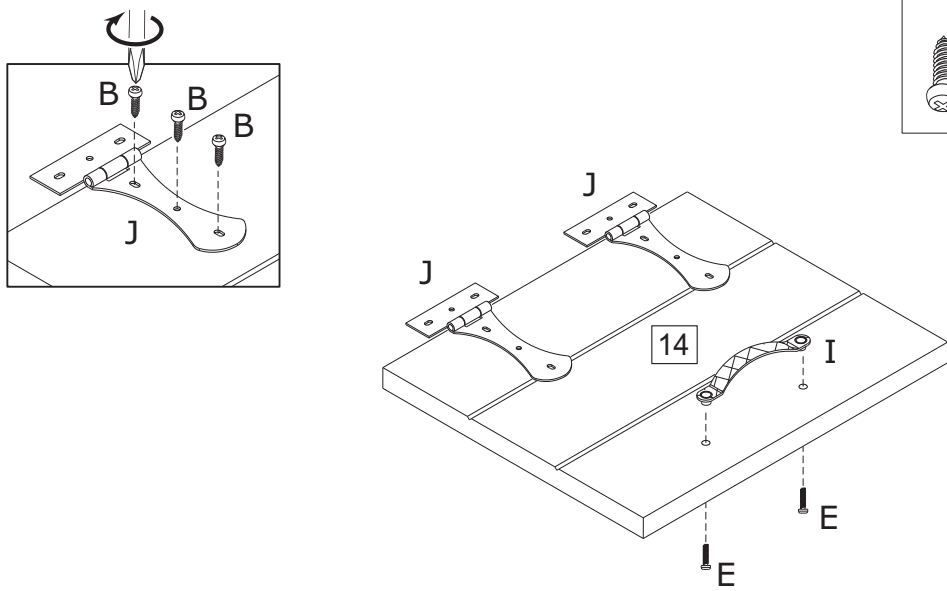
Bx4	Lx2
 Ø3.5x14mm	





15



Mx32


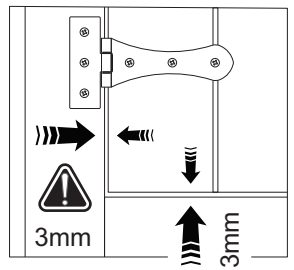
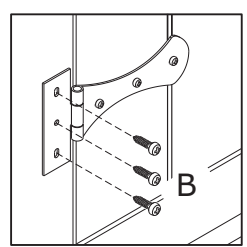
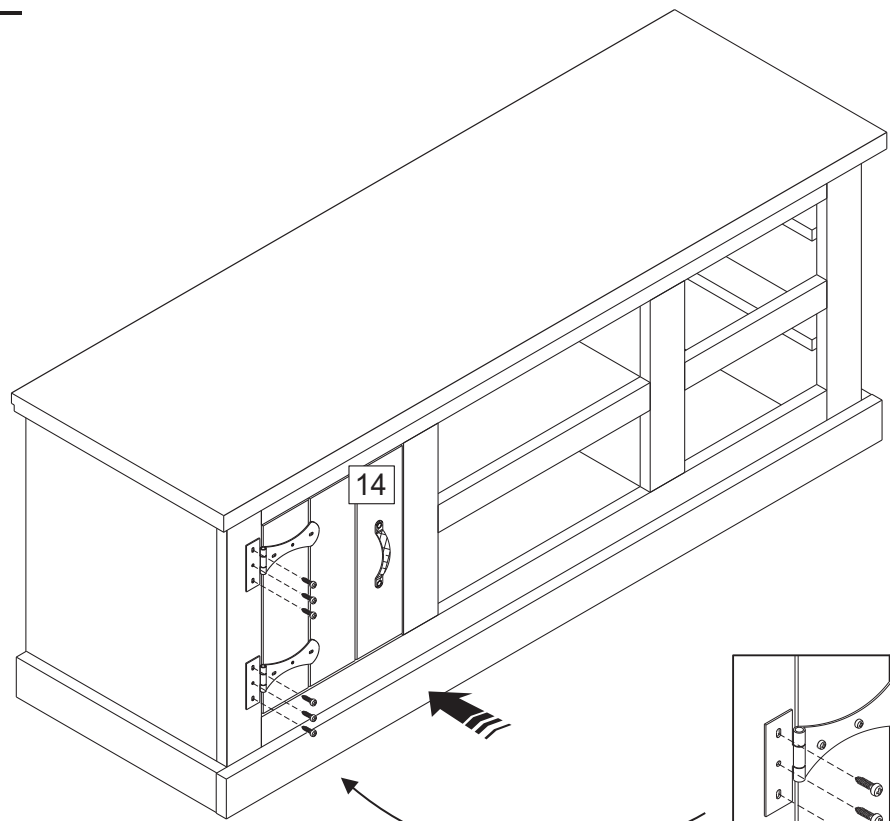
16



Bx6	Ex2	Ix1	Jx2
 Ø3.5x14mm	 ØM4x16mm		

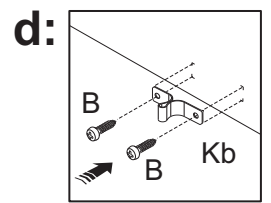
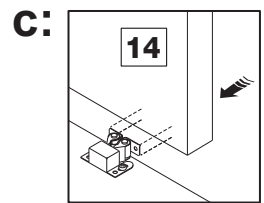
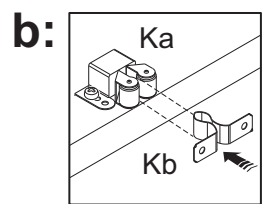
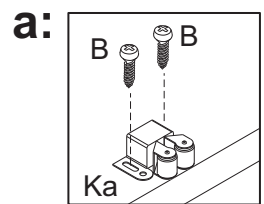
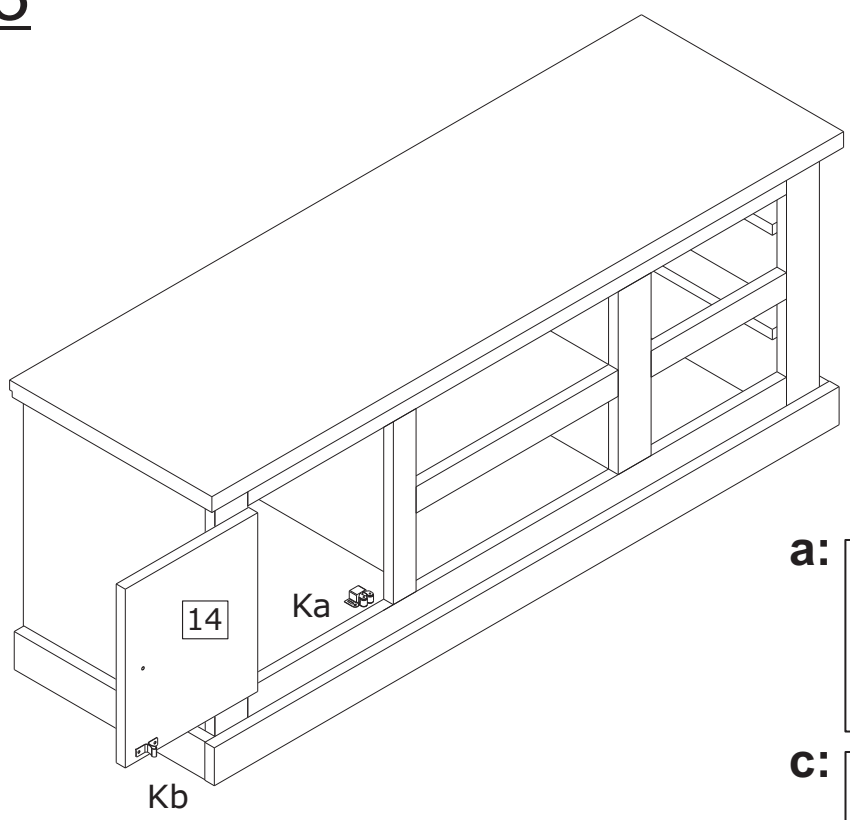
# 17

Bx6  
Ø3.5x14mm



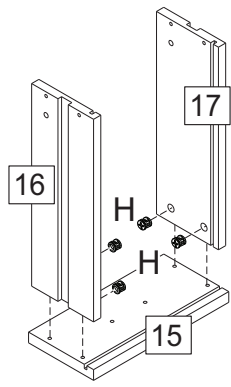
# 18

Bx4    Kax1    Kbx1  
Ø3.5x14mm

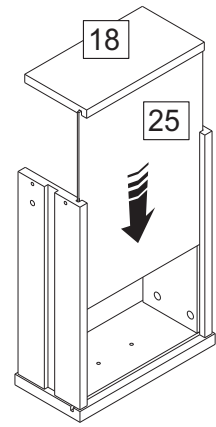


# 19

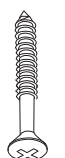



**a:**



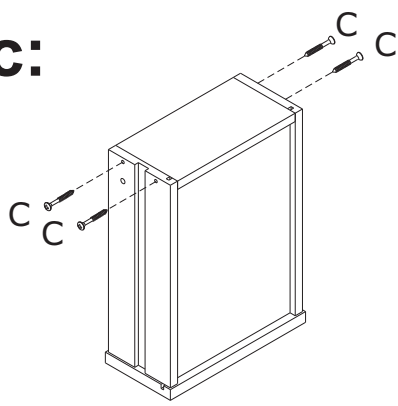
**b:**



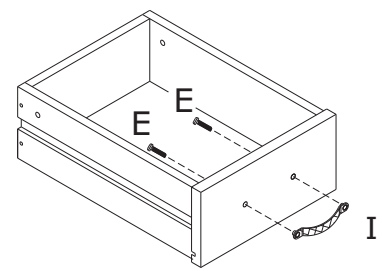
**2x**

<b>Cx8</b>	<b>Ex4</b>
 Ø3.5x30mm	 ØM4x16mm
<b>Hx8</b>	<b>Ix2</b>
	


**c:**



**d:**



# 20

<b>Ax4</b>
 Ø8x30mm

