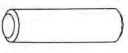
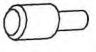


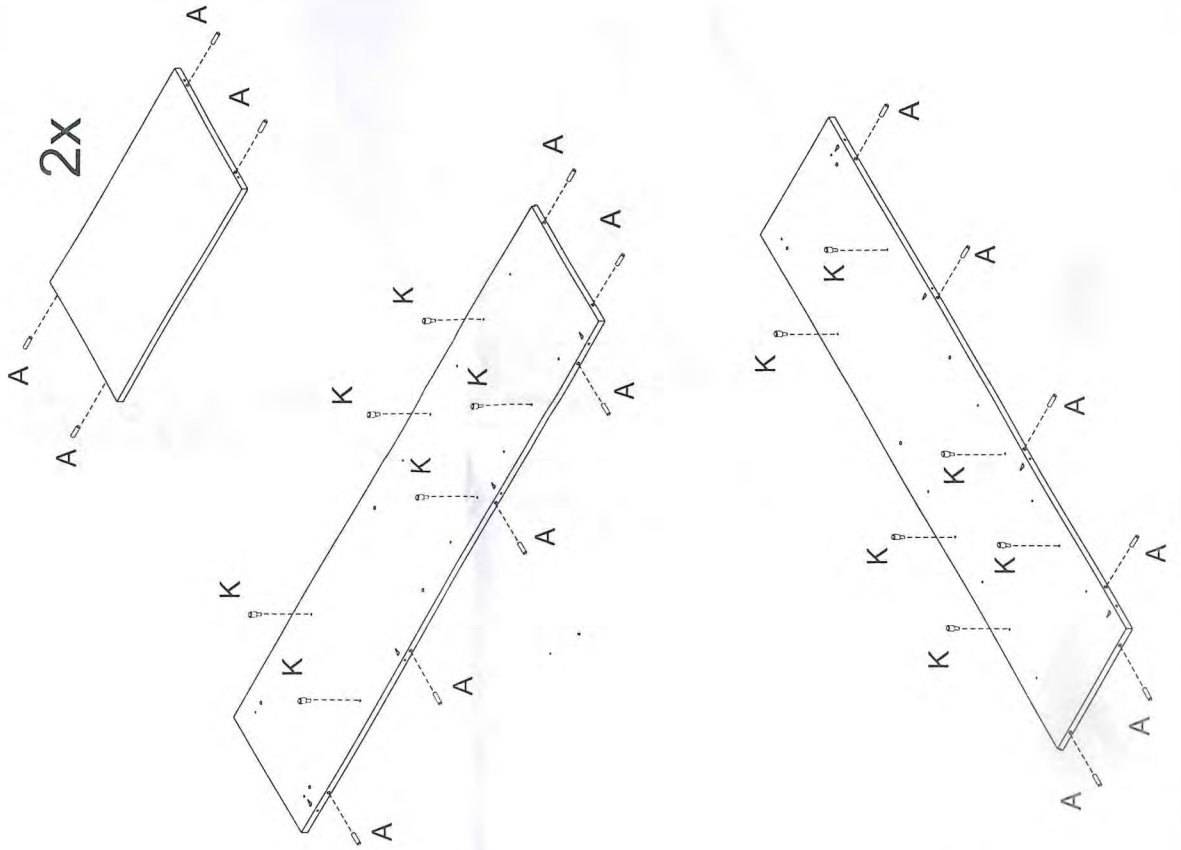
164716

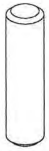






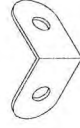


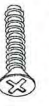




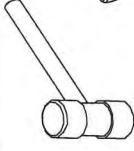



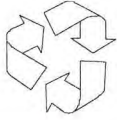
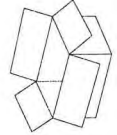
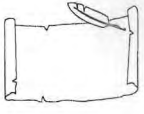


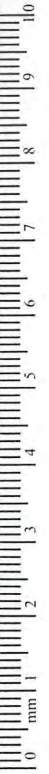
Ref.: 030

1

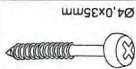
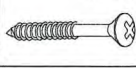
Ax20	
Kx12	

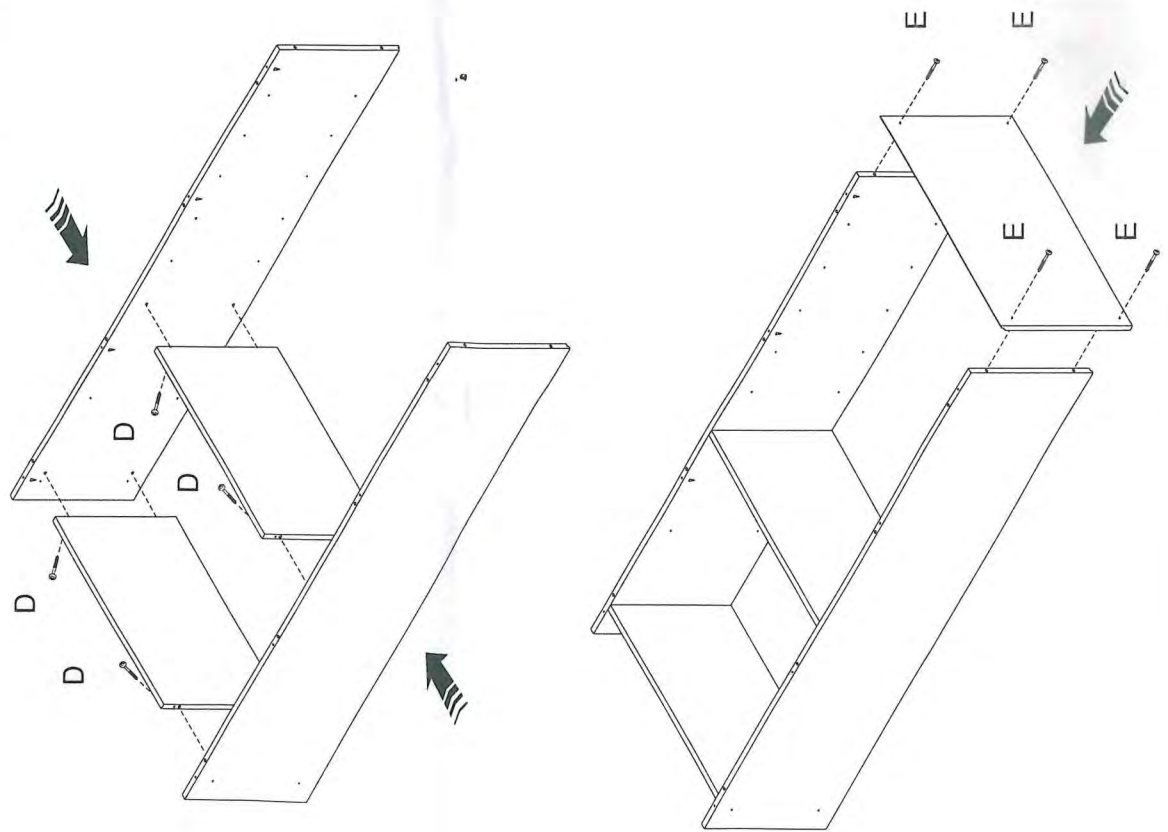


A x 20		Ø8x30mm	H x 4	
B x 36		Ø3,5x14mm	J x 2	
C x 7		Ø3,5x30mm	K x 12	
D x 16		Ø4,0x35mm	L x 2	
E x 4		Ø4,0x40mm	M x 6	
F x 2		Ø5x19mm	N x 28	
G x 2				

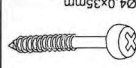
			
			
		60 min	

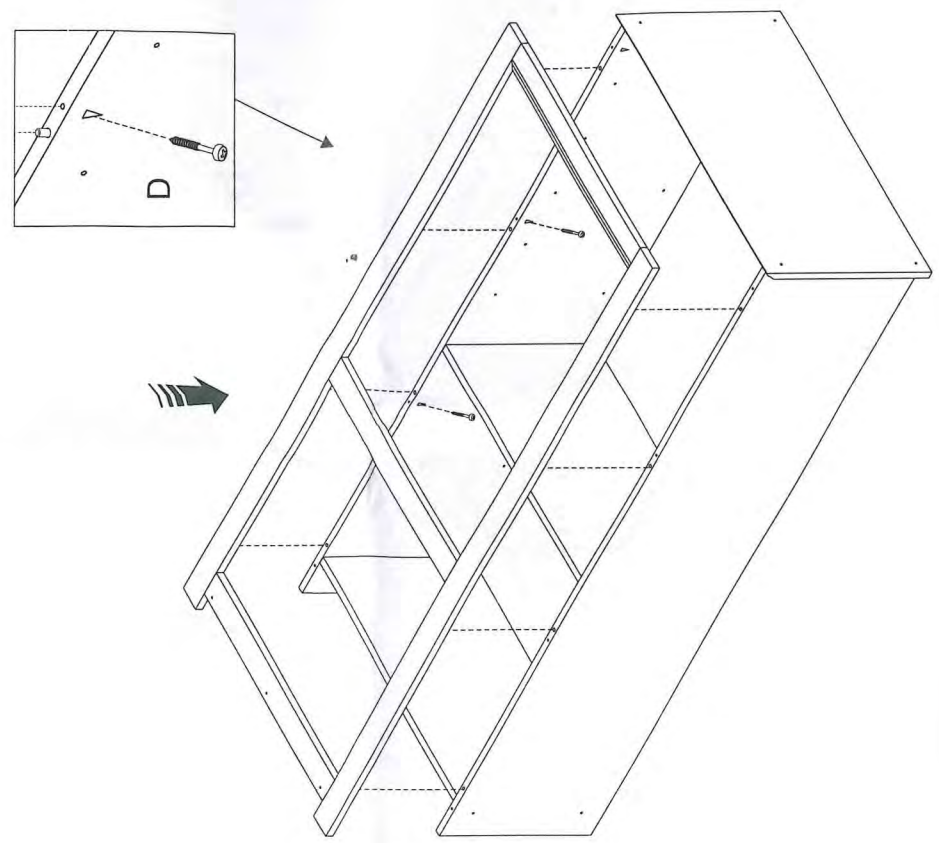
2

Dx8	Ex4
	

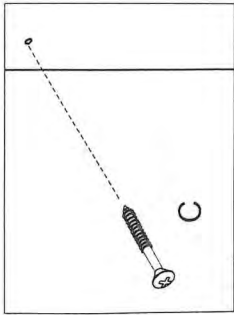
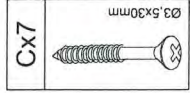


3

Dx8




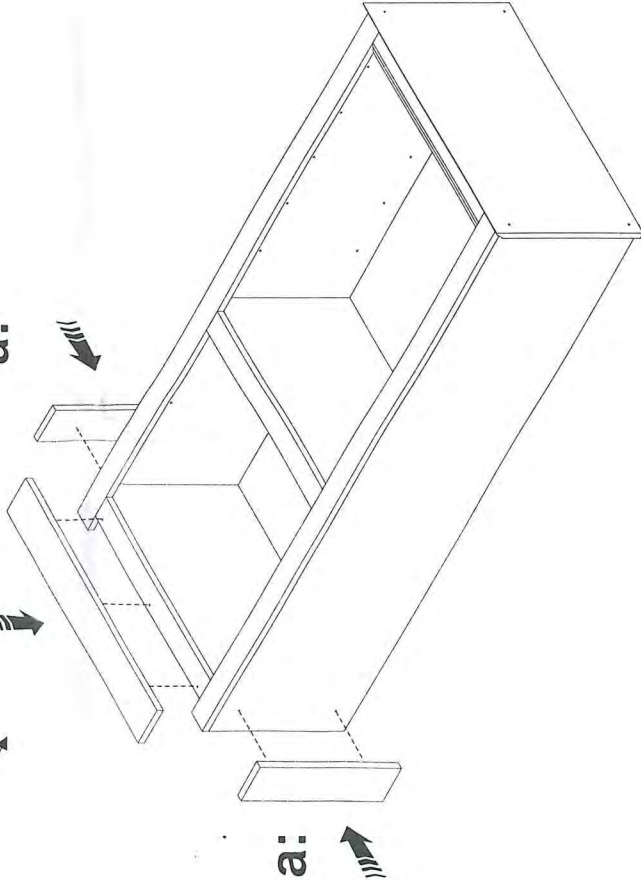
4



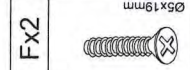
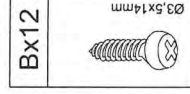
b:



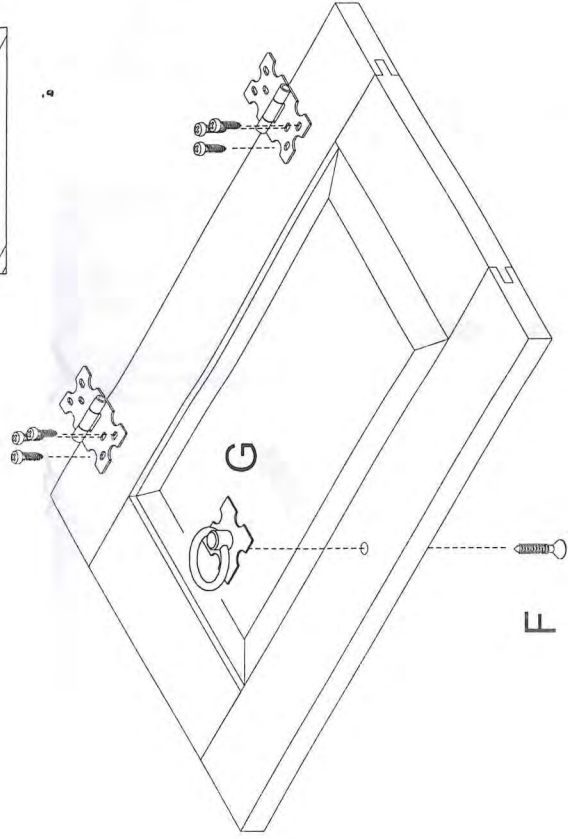
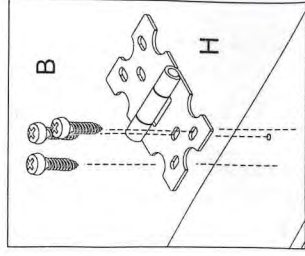
a:



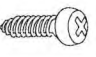
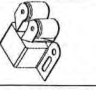
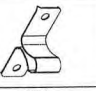
5

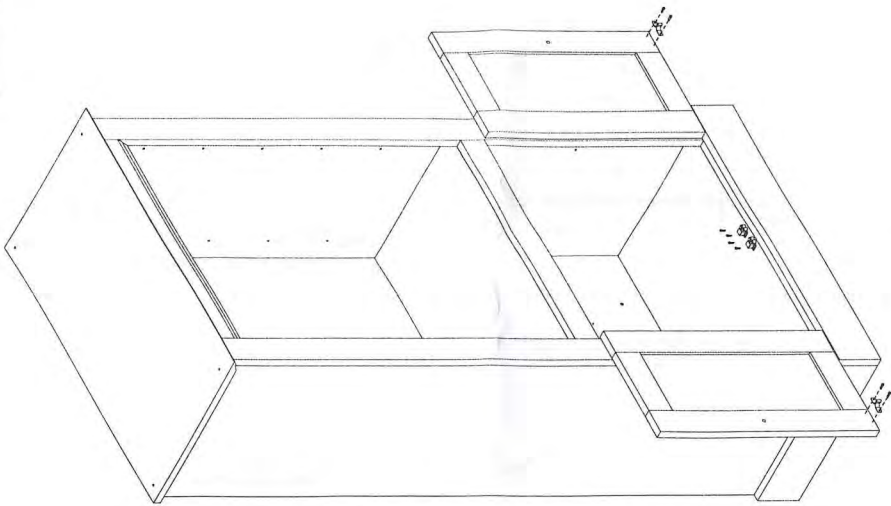


2X

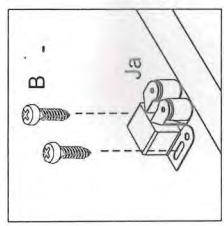


7

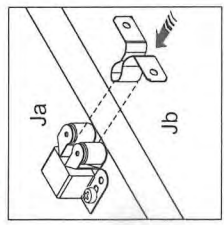
Bx8		Ø3,5x14mm
Jax2		
Jbx2		



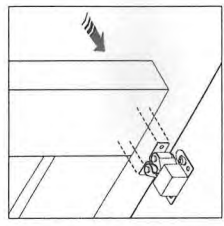
a:



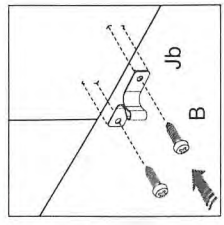
b:




c:

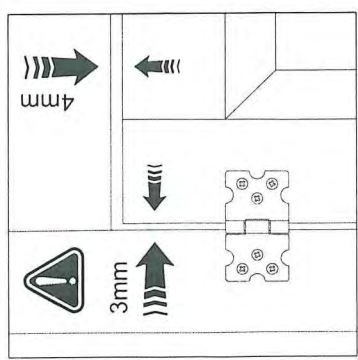
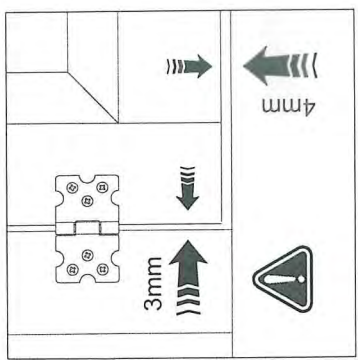
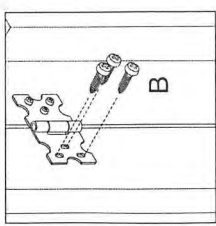
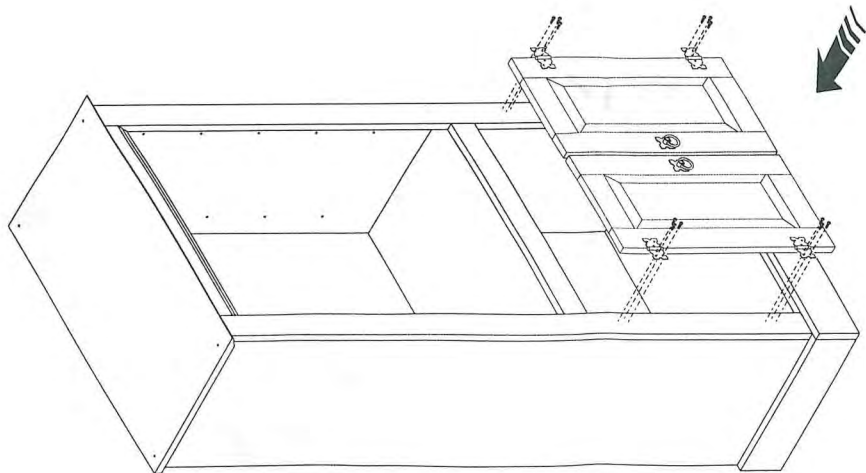


d:


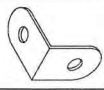


6

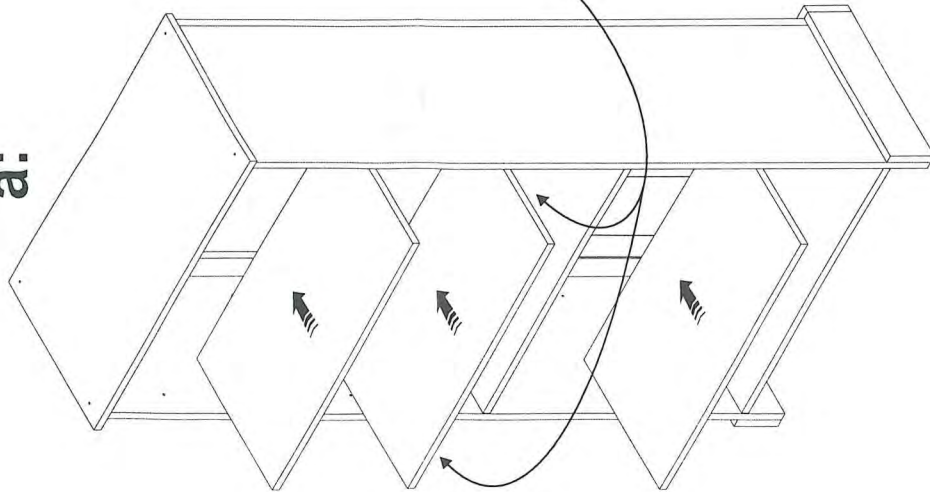
Bx12		Ø3,5x14mm
------	---	-----------



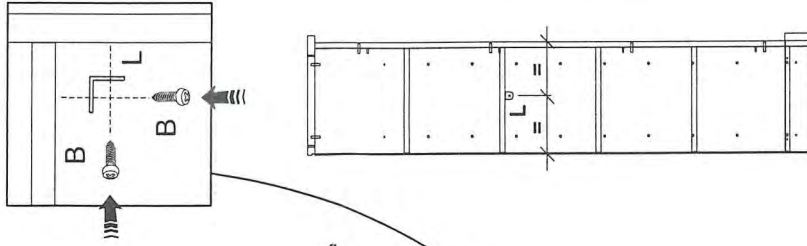
8

Bx4	Lx2
	
$\varnothing 3,5 \times 14 \text{ mm}$	

a:

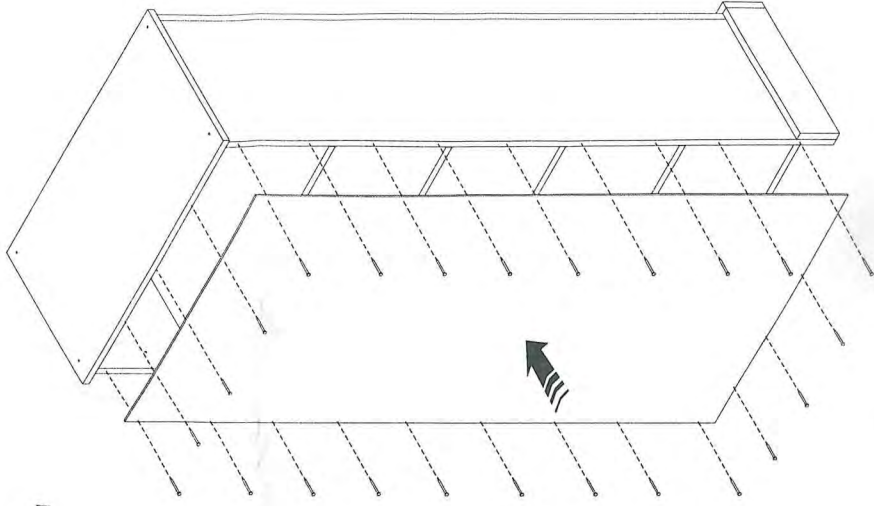
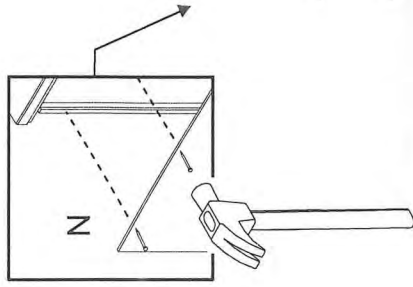


b:



9

Nx28	
------	---



10

