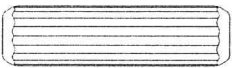
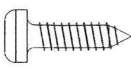

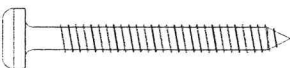


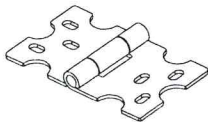
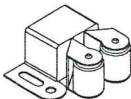
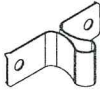

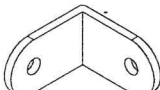
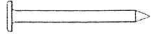
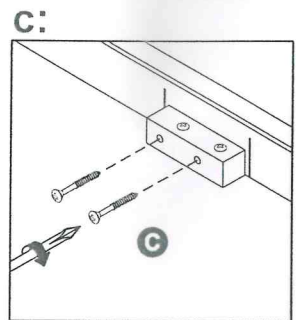
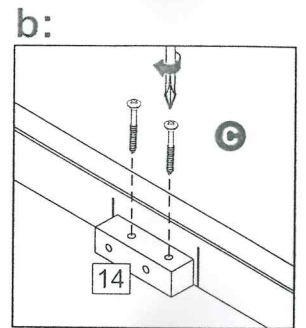
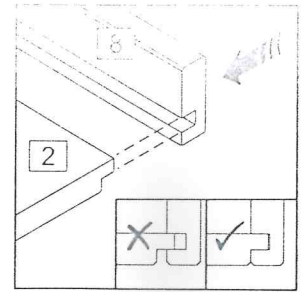
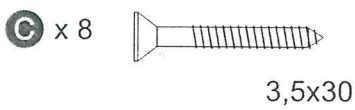
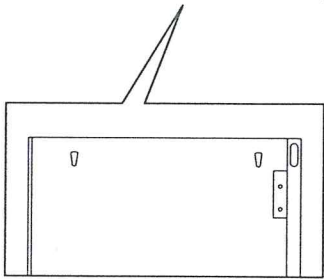
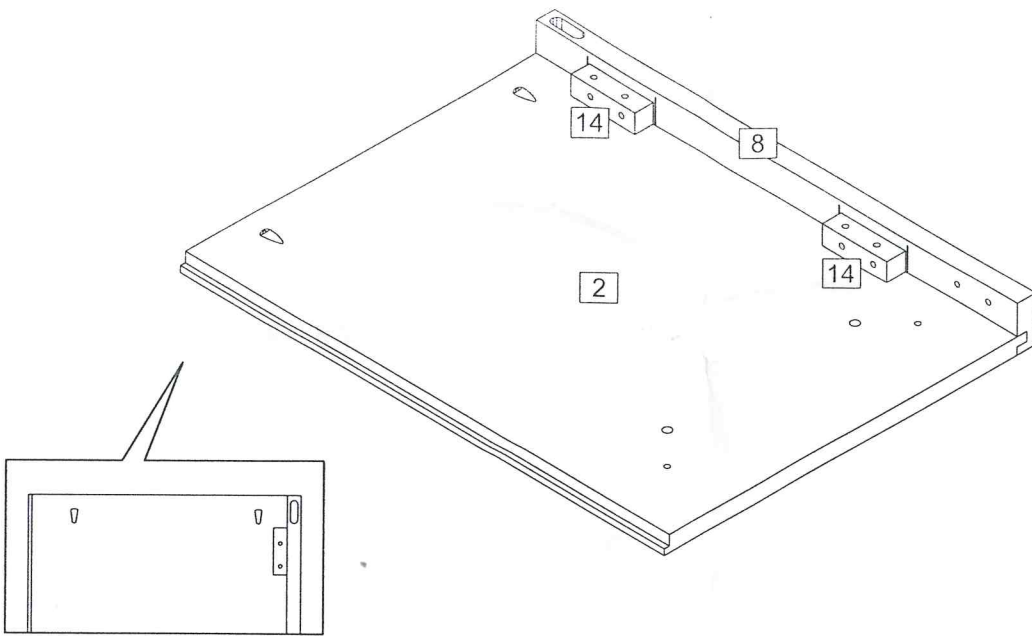
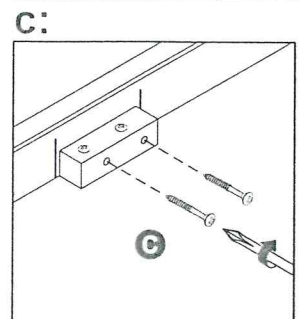
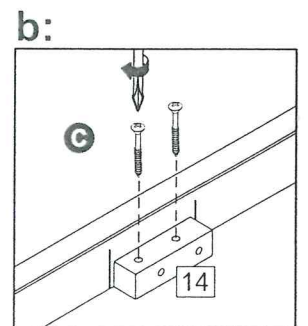
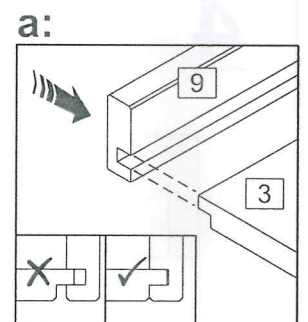
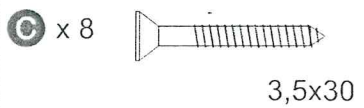
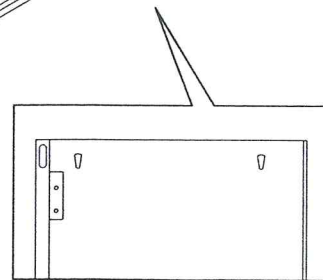
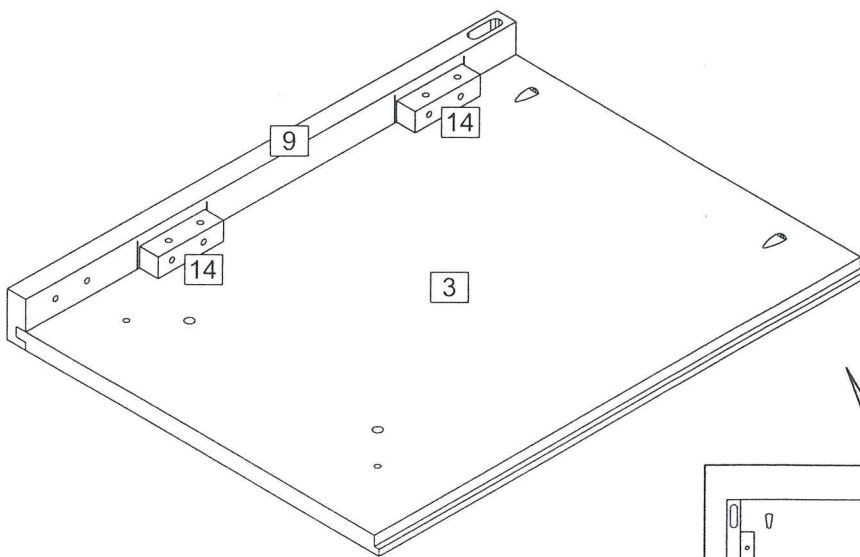


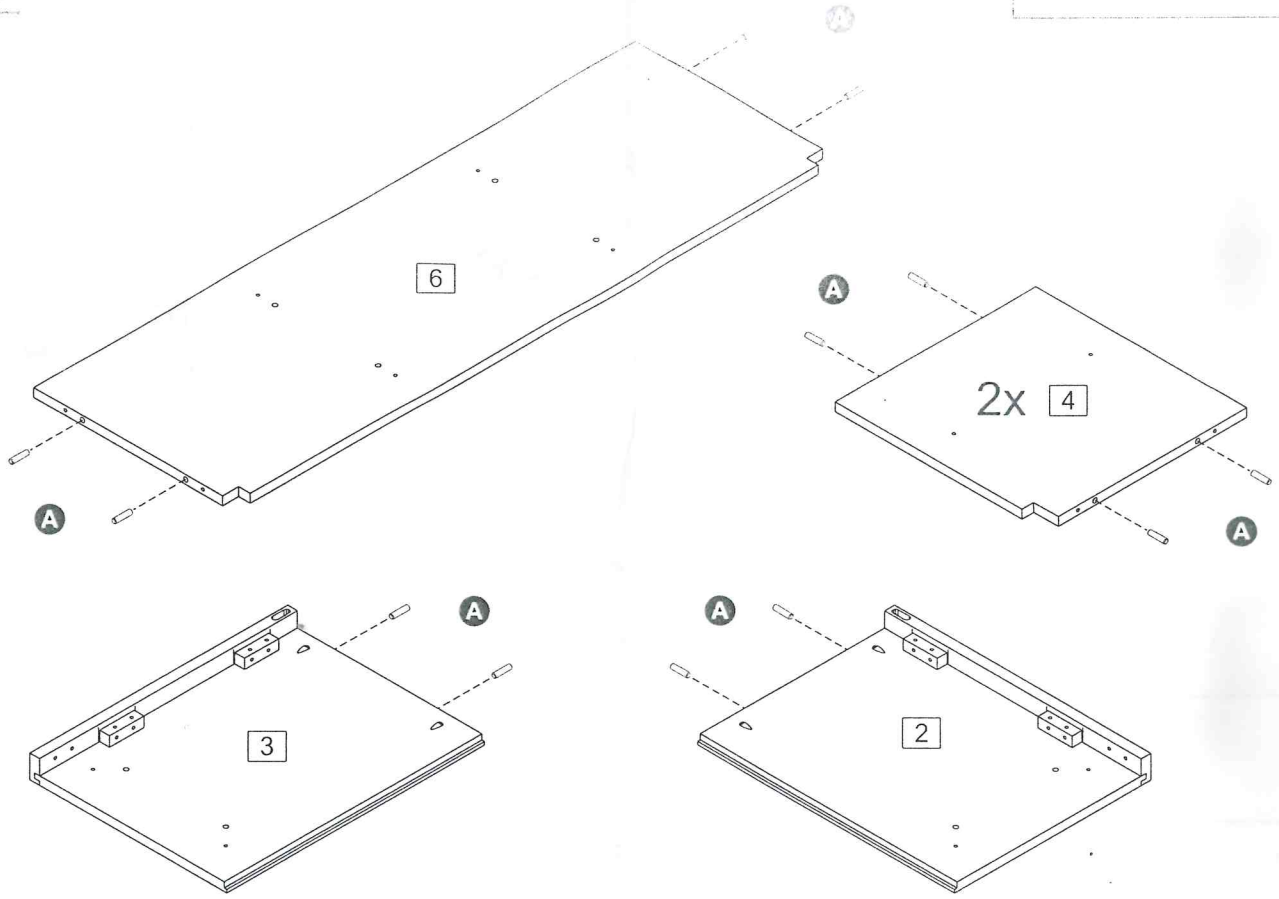
<p>A x 16</p>  <p>8x30</p>	<p>B x 34</p>  <p>3,5x14</p>	<p>C x 24</p>  <p>3,5x30</p>
<p>D x 16</p>  <p>4,0x35</p>	<p>E x 2</p> 	<p>F x 2</p> 
<p>G x 4</p> 	<p>H x 2</p> 	<p>J x 2</p> 
<p>K x 4</p> 	<p>L x 1</p> 	<p>M x 28</p> 



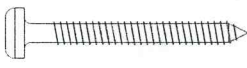
2

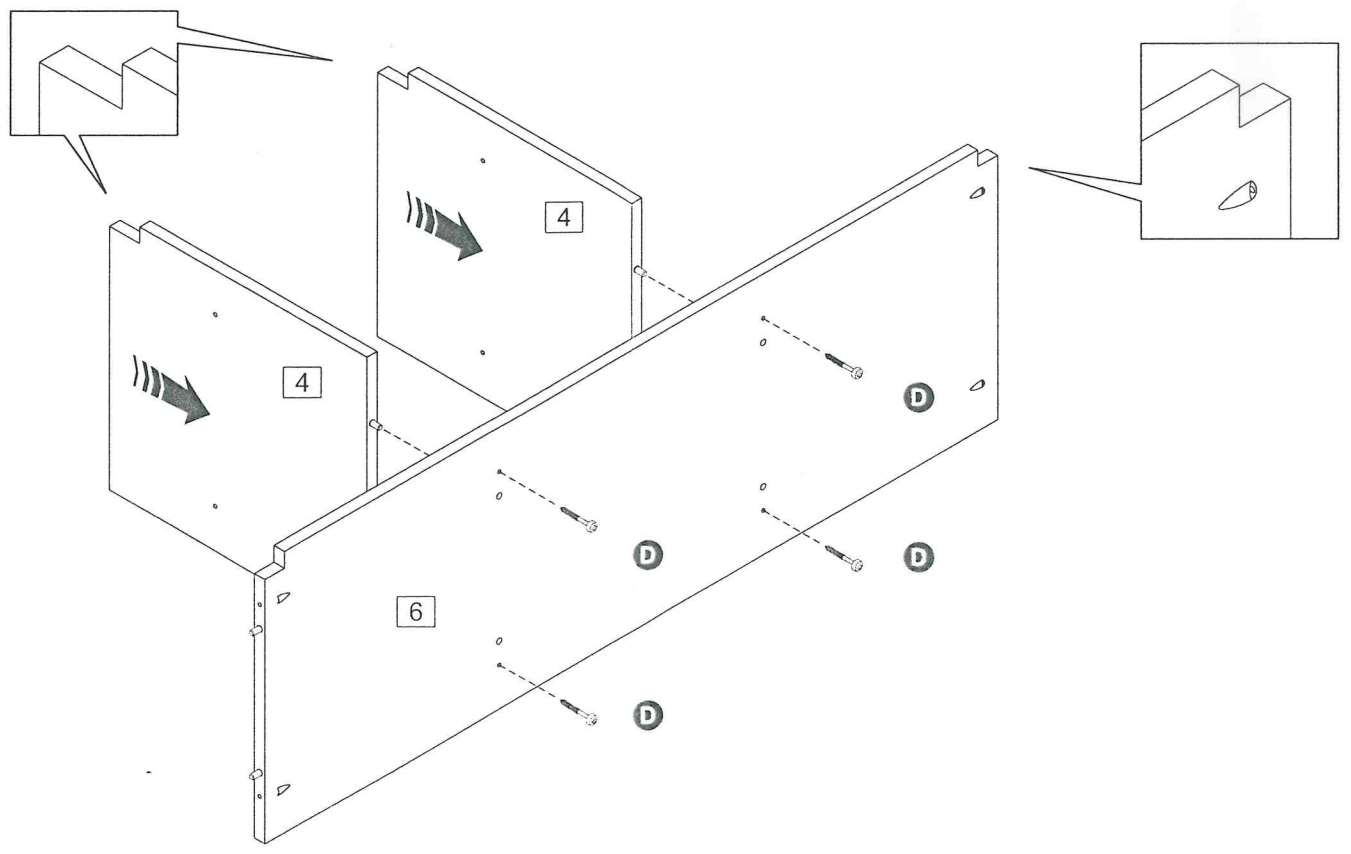


3

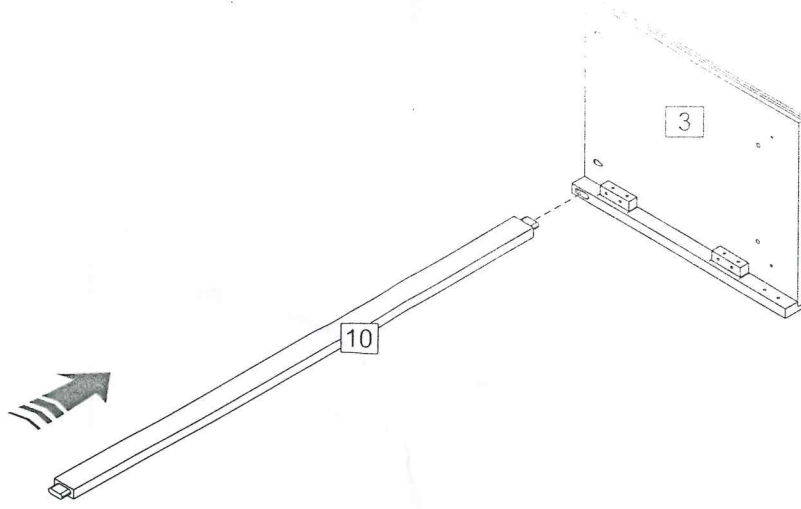


4

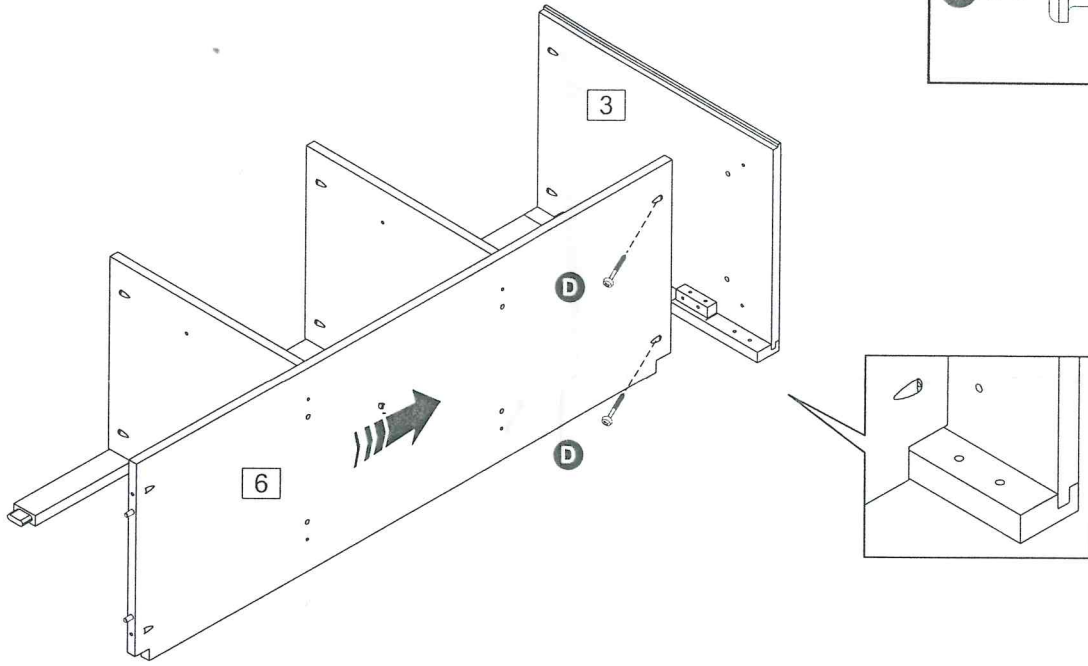
D x 4 
4,0x35



5

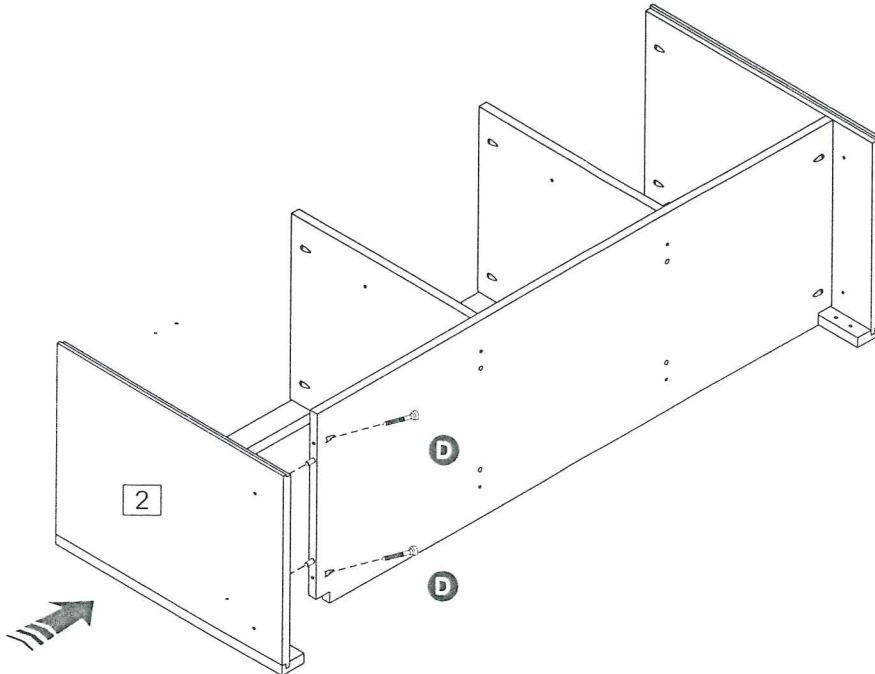


6



D x 2
4,0x35

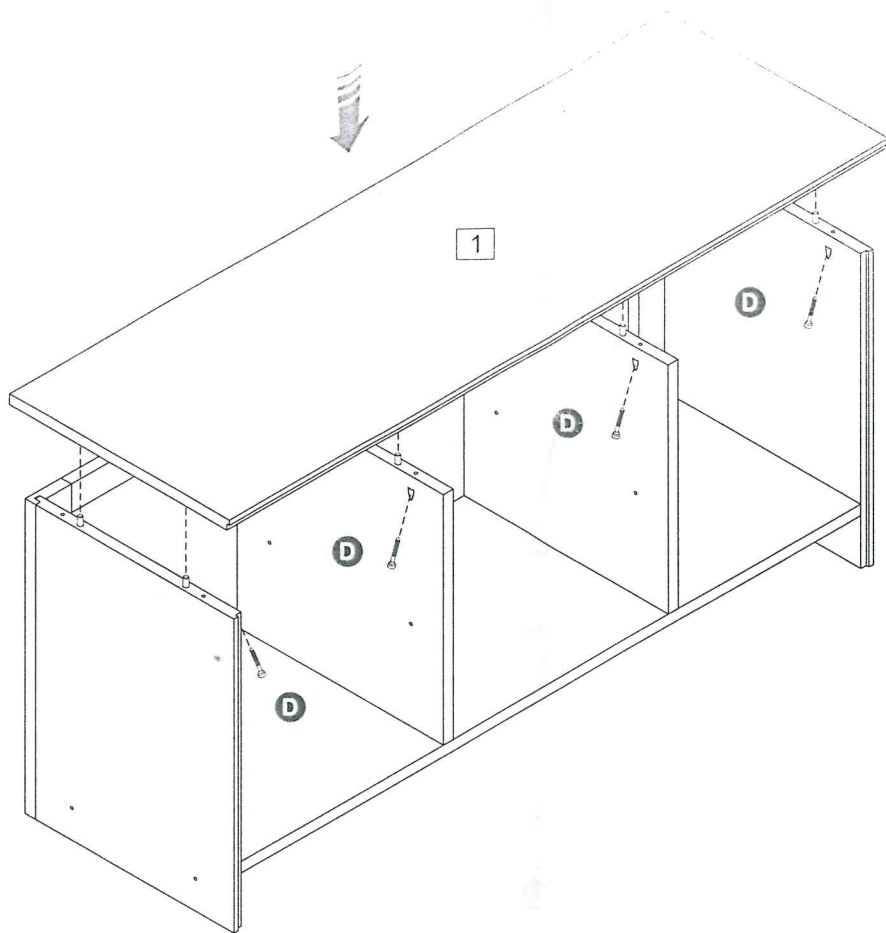
7



D x 2
4,0x35

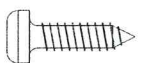
8

1.0x35



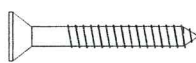
9

B x 2



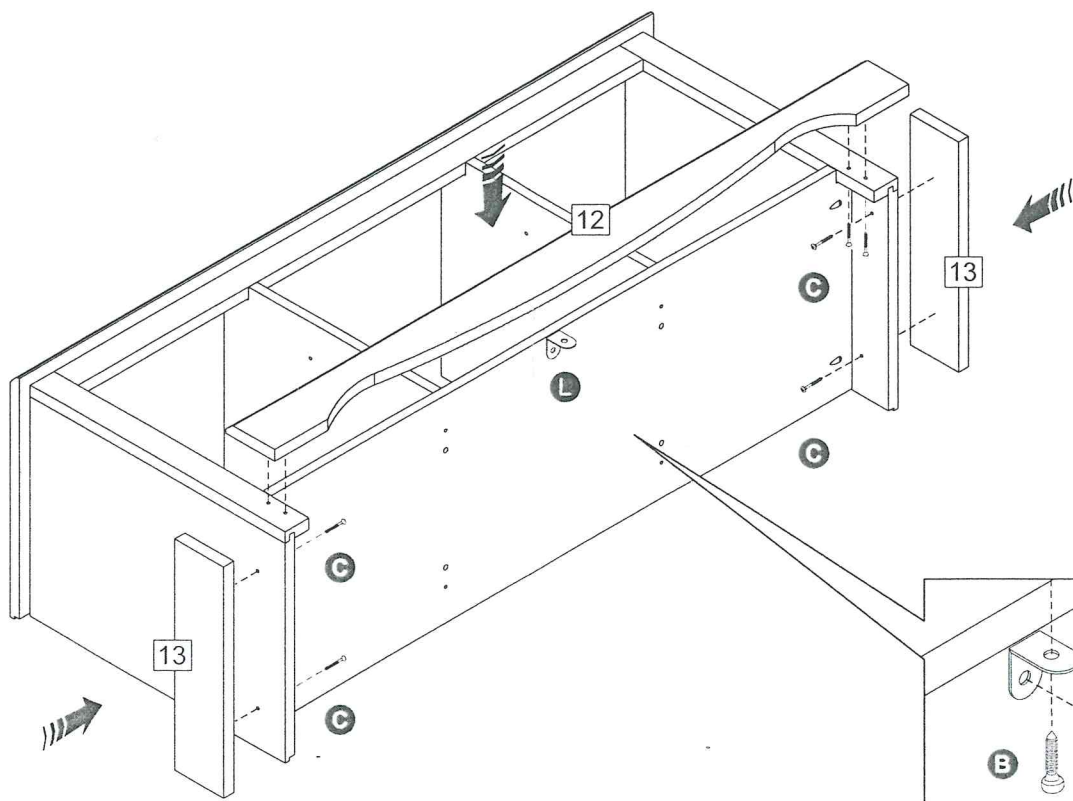
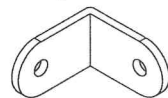
3,5x14

C x 8

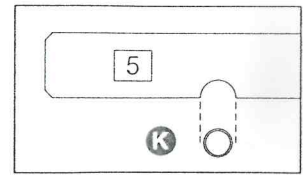
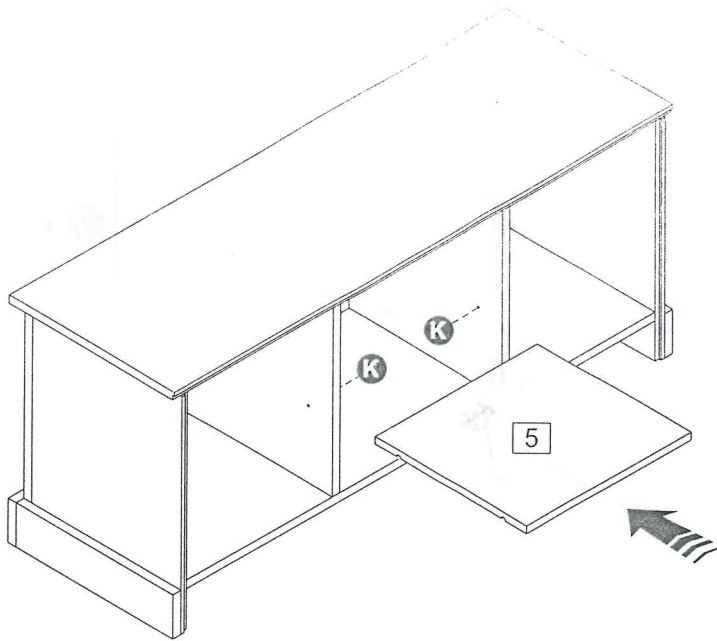


3,5x30

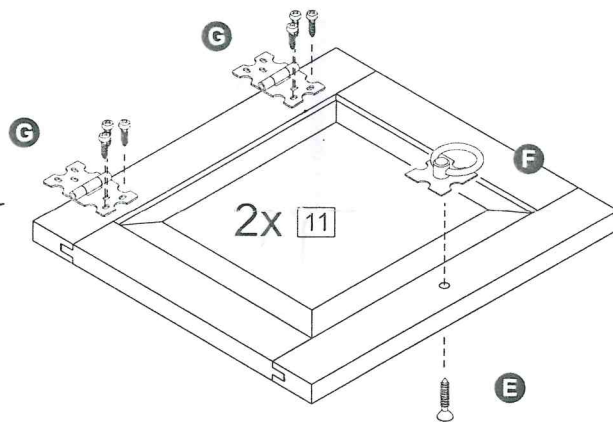
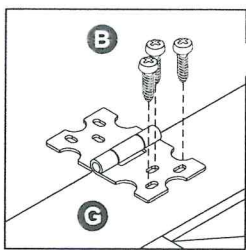
L x 1




10

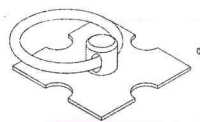


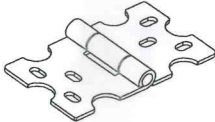
11



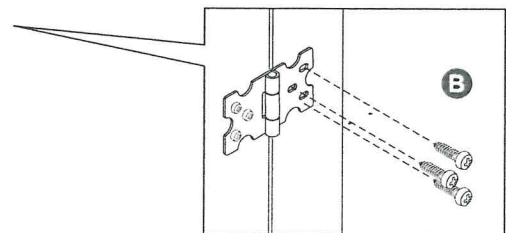
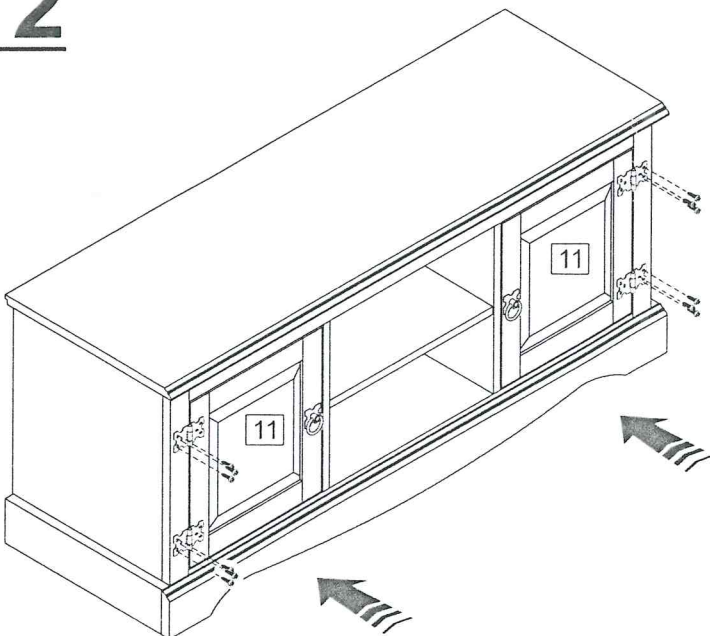
B x 12  3,5x14

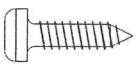
E x 2 

F x 2 

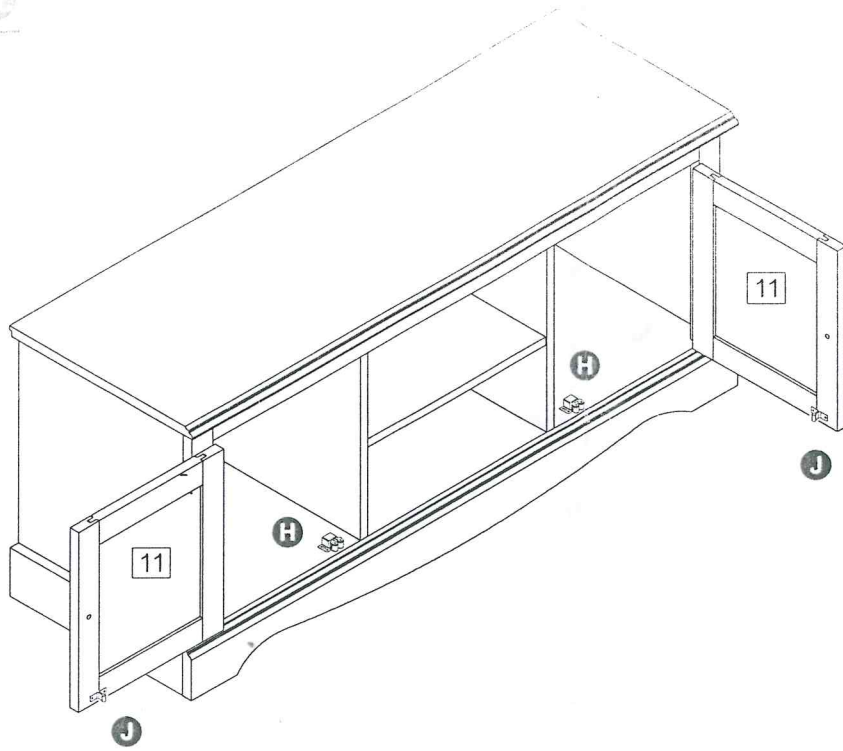
G x 4 

12

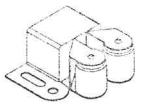


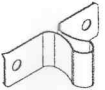
B x 12  3,5x14

13

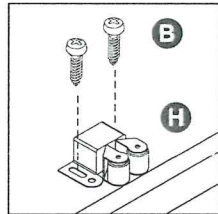


3,5x14

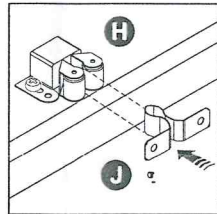
F x 2 

J x 2 

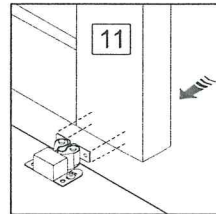
a:



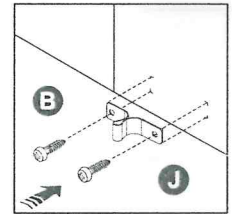
b:



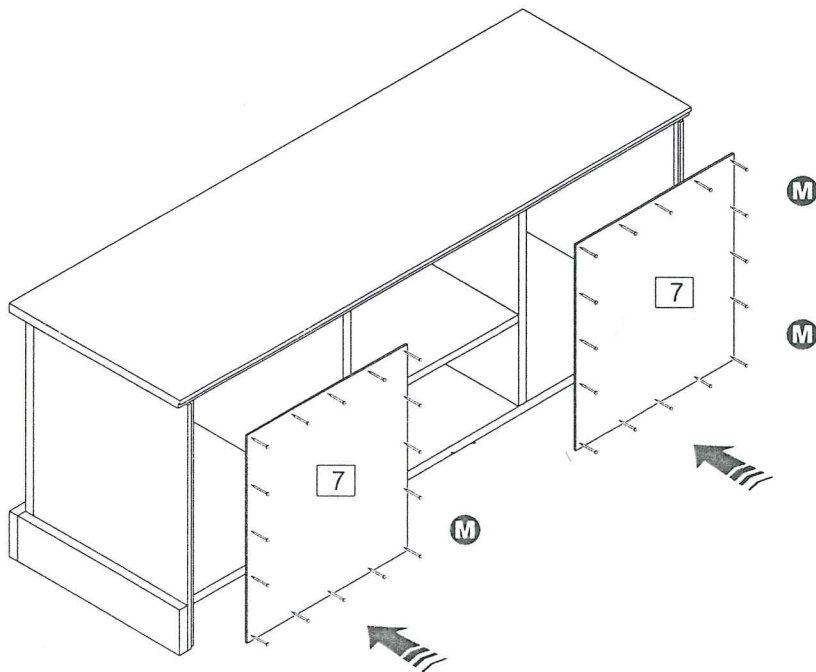
c:



d:



14



M x 28 