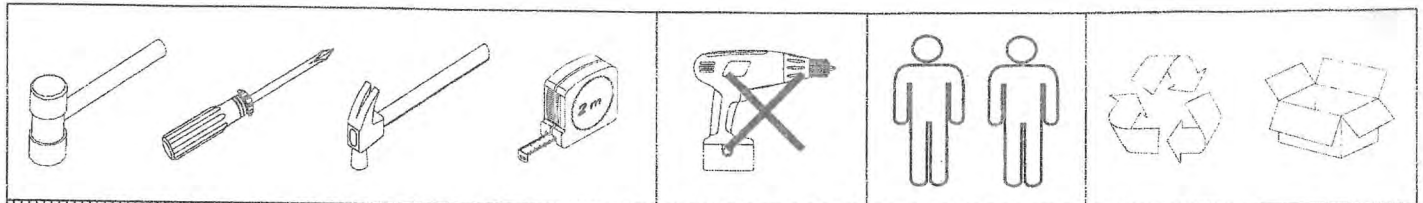
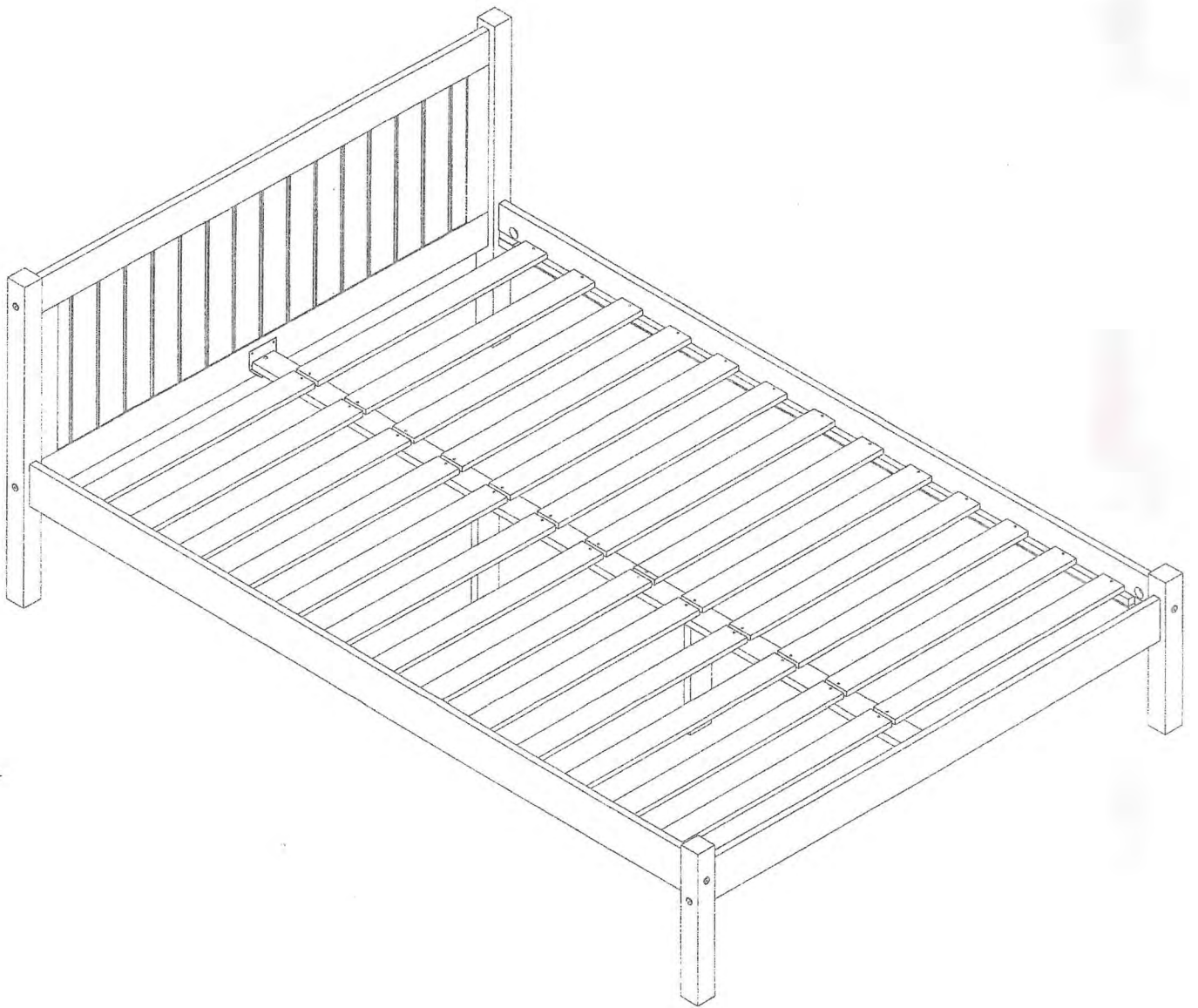
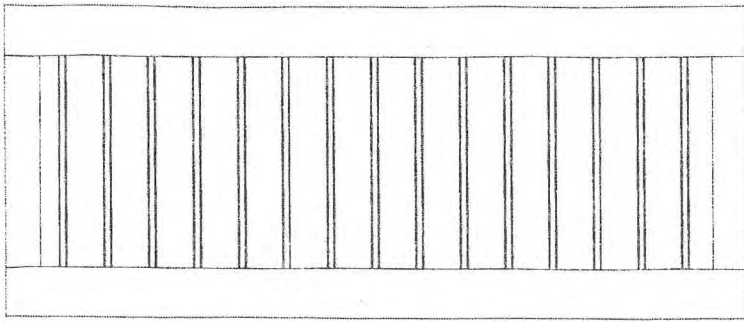


136481





1 137 x 57.4cm



2 137 x 11.2cm



3 69.8 x 6.5cm (26x)



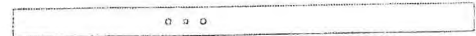
4 200 x 11.2cm (2x)



10 202 x 6.5cm



5 85 x 5.2cm



6 85 x 5.2cm




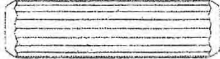
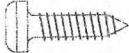
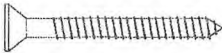


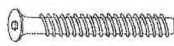



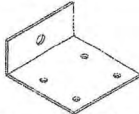

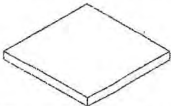
7 40 x 5.2cm



8 40 x 5.2cm

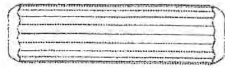


9 28.3 x 6.5cm (2x)

<p>A x 6</p>  <p>8x30</p>	<p>B x 8</p>  <p>10x40</p>	<p>C x 8</p>  <p>4,0x16</p>
<p>D x 52</p>  <p>3,5x30</p>	<p>E x 2</p>  <p>6,0x32</p>	<p>F x 2</p> 
<p>G x 2</p>  <p>7,0x50</p>	<p>H x 6</p>  <p>7,0x90</p>	<p>J x 4</p>  <p>7,0x100</p>
<p>K x 4</p> 	<p>L x 2</p> 	<p>M x 1</p> 
<p>N x 2</p> 		

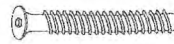
1

B x 8



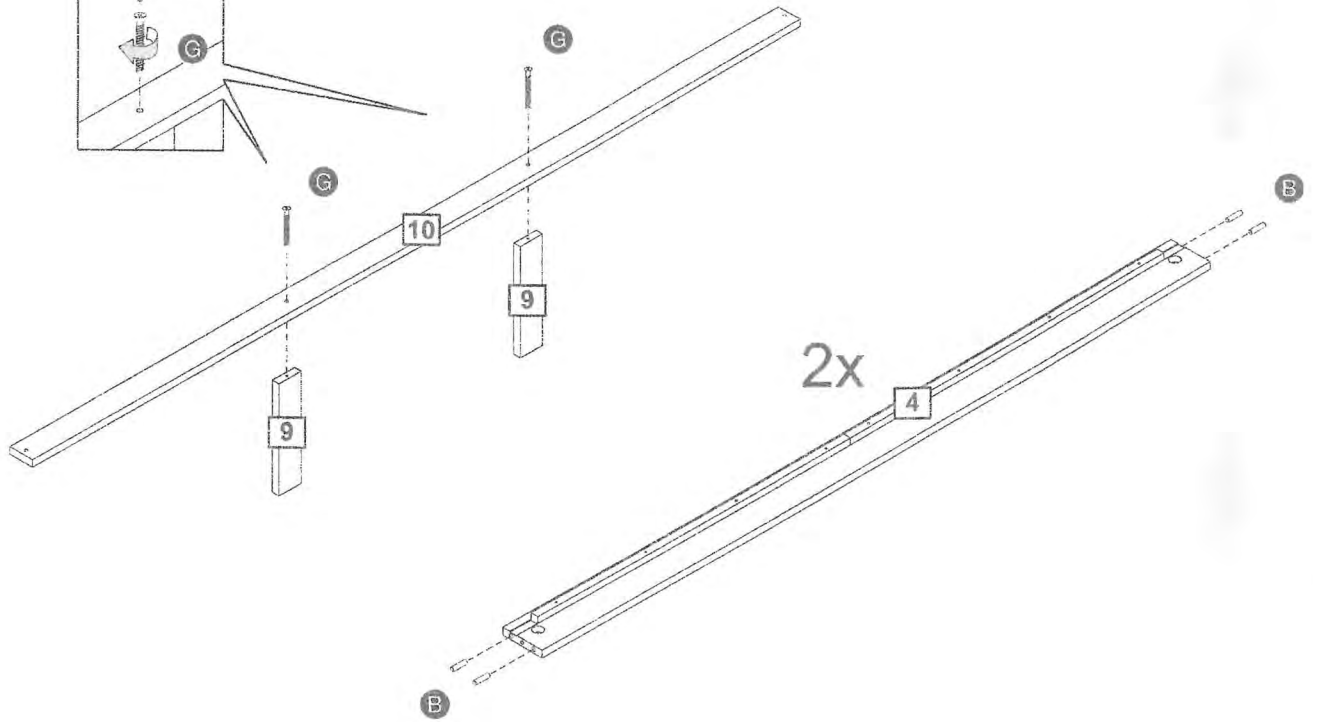
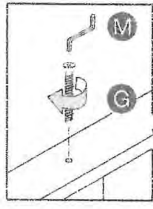
10x40

G x 2



7,0x50

M x 1

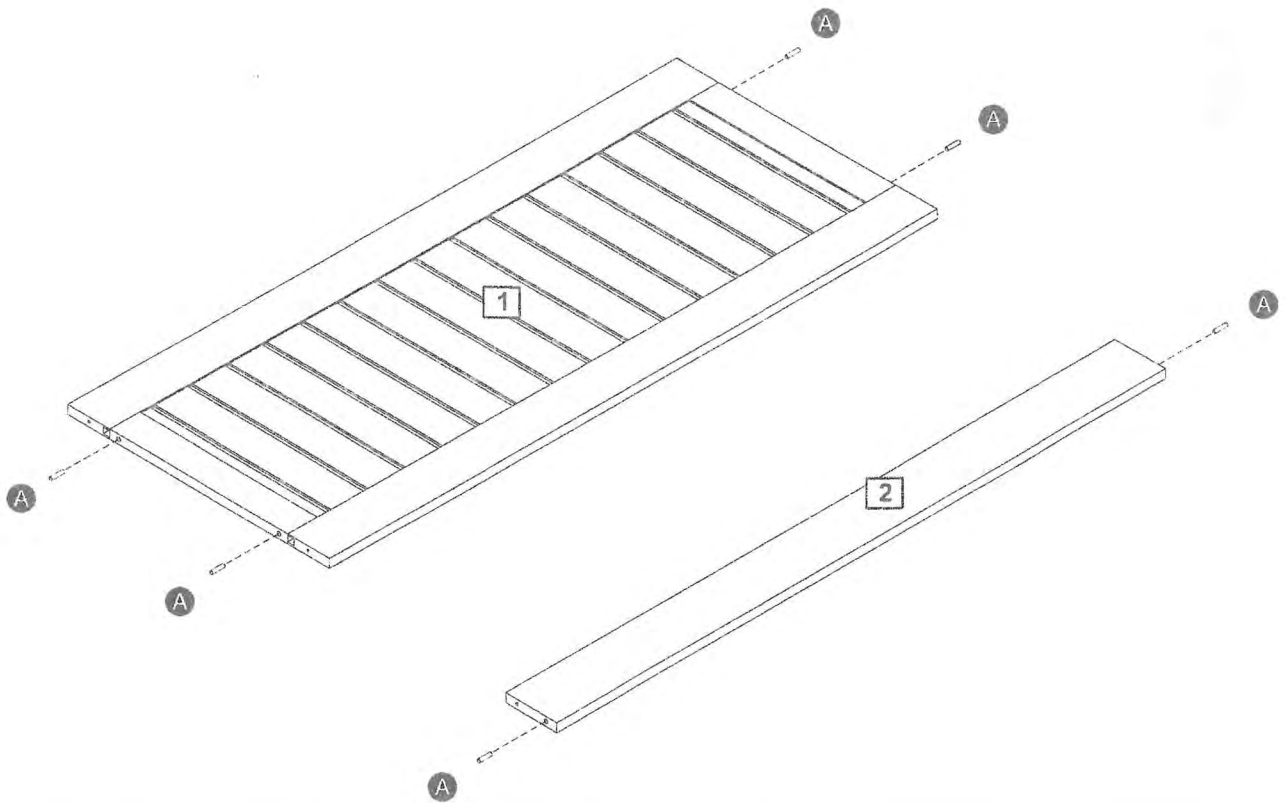


2

A x 6



8x30

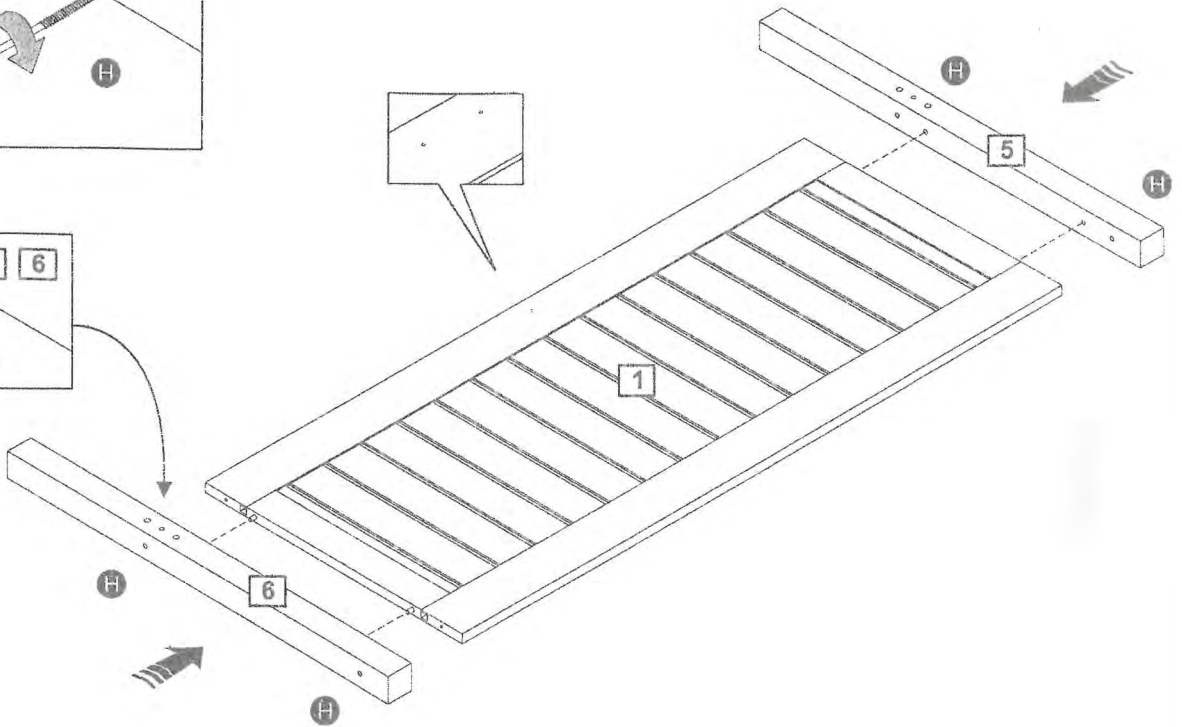
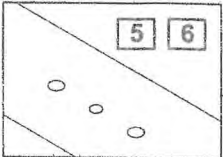
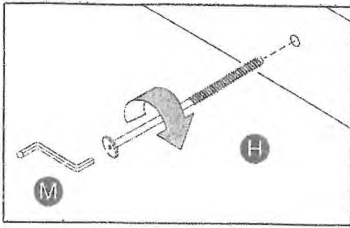
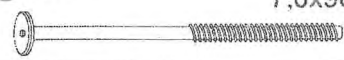


3

H x 4

7,0x90

M x 1

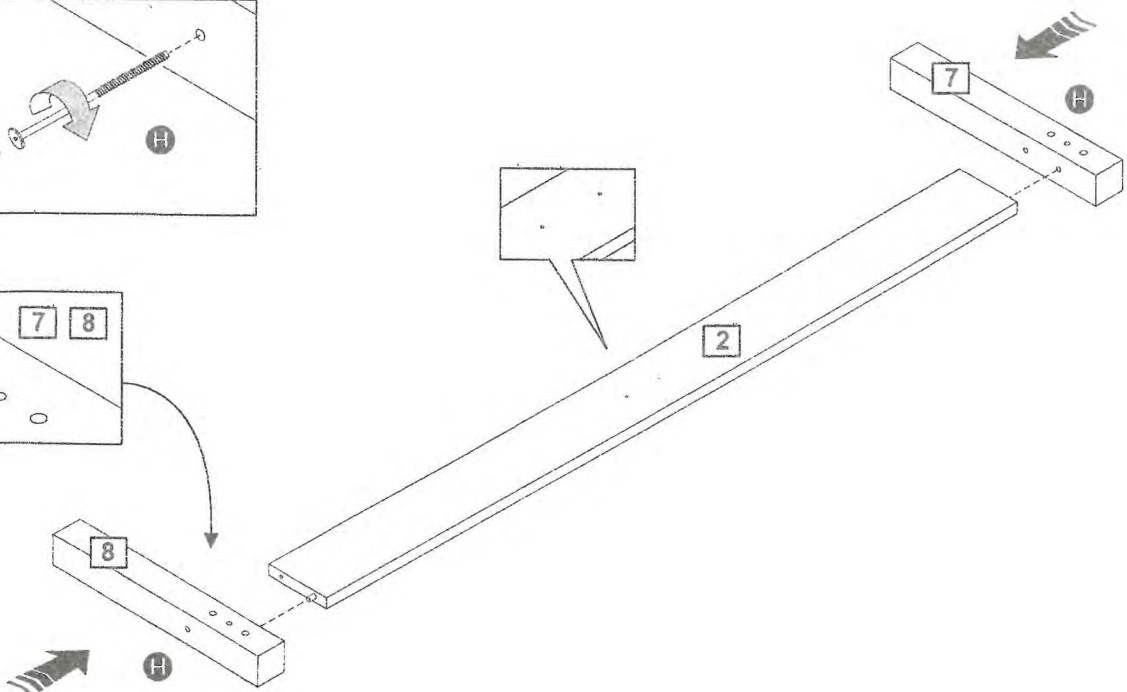
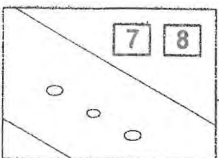
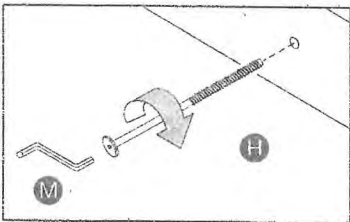
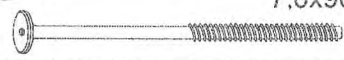


4

H x 2

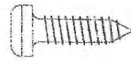
7,0x90

M x 1



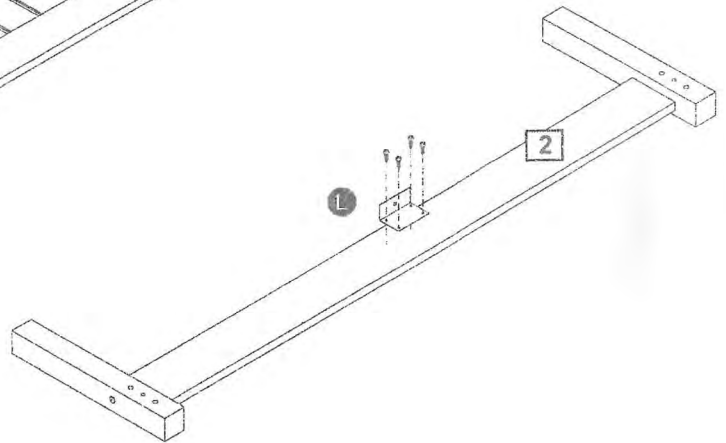
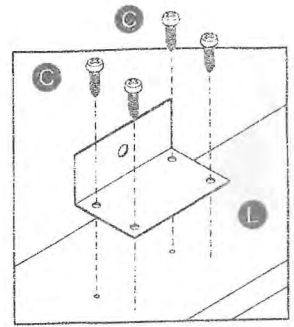
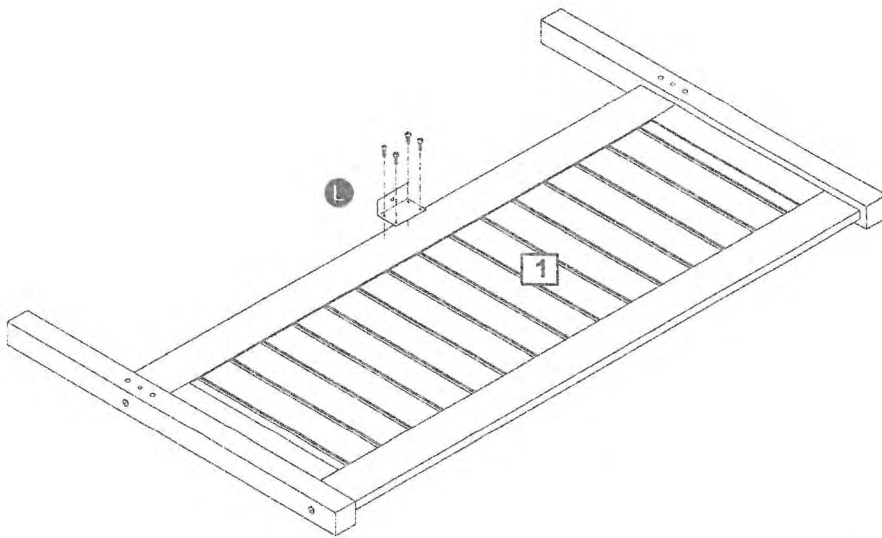
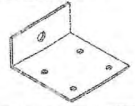
5

C x 8



4,0x16

L x 2



6

E x 1



6,0x32

F x 1



J x 2

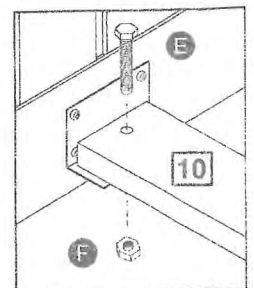
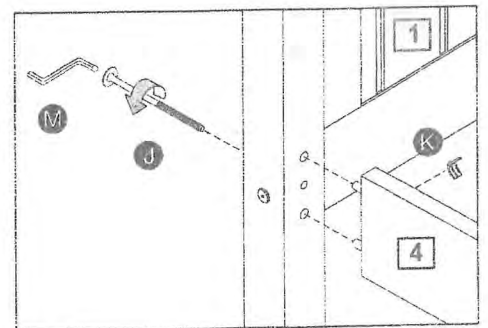
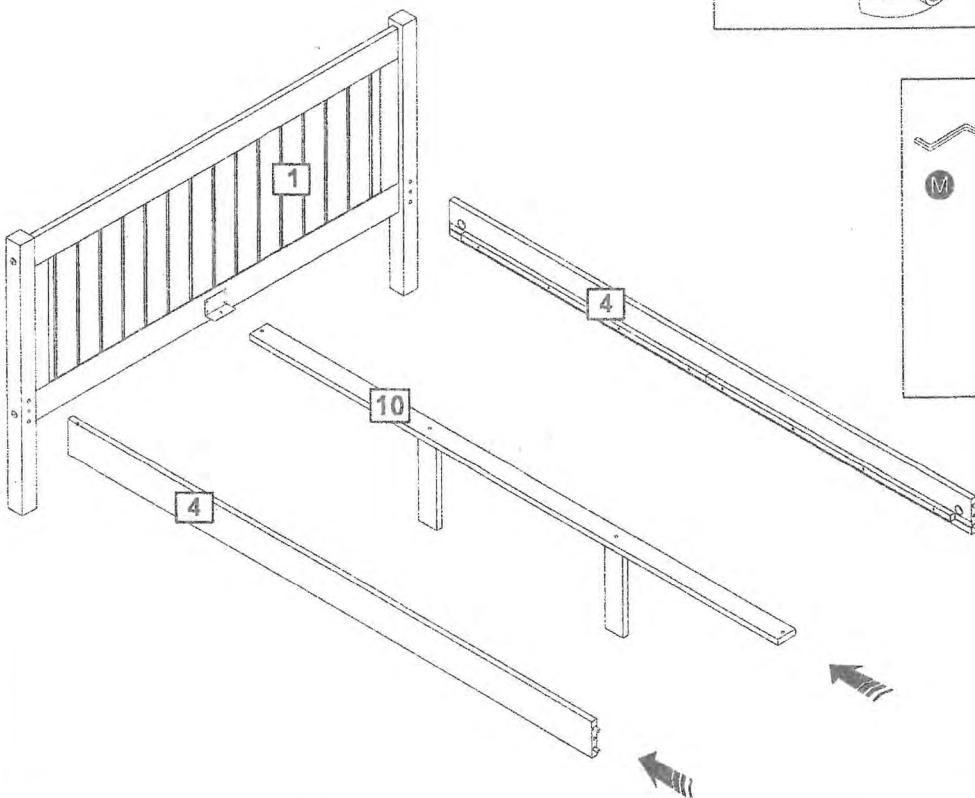
7,0x100



K x 2



M x 1



7

E x 1



6,0x32

F x 1



J x 2

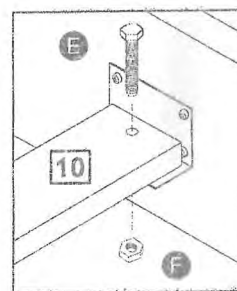
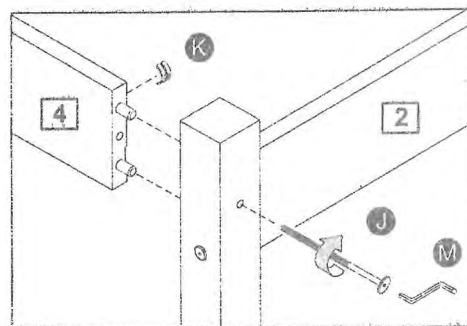
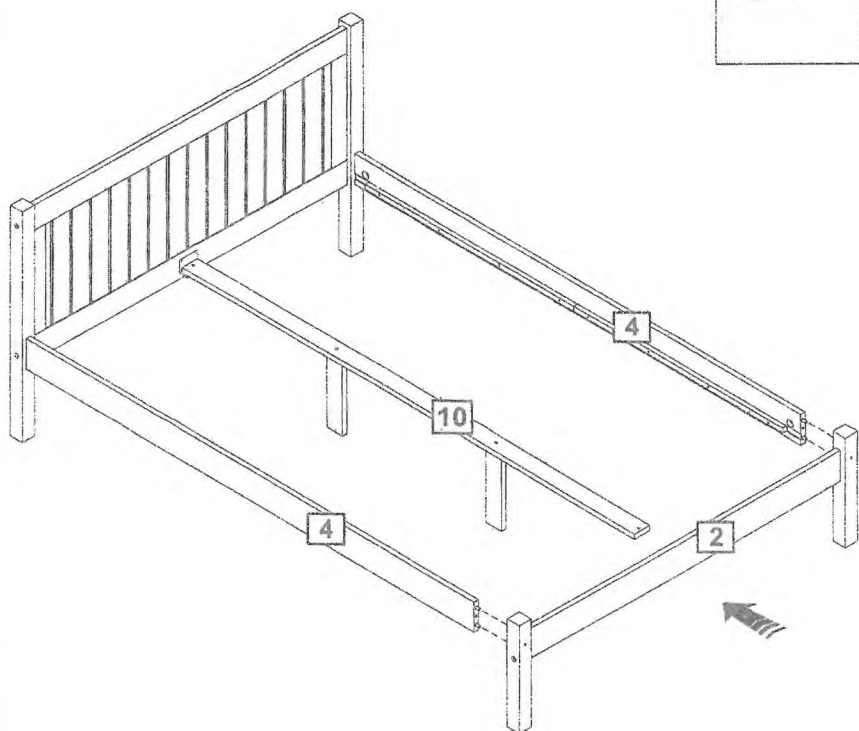
7,0x100



K x 2

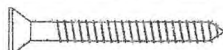


M x 1



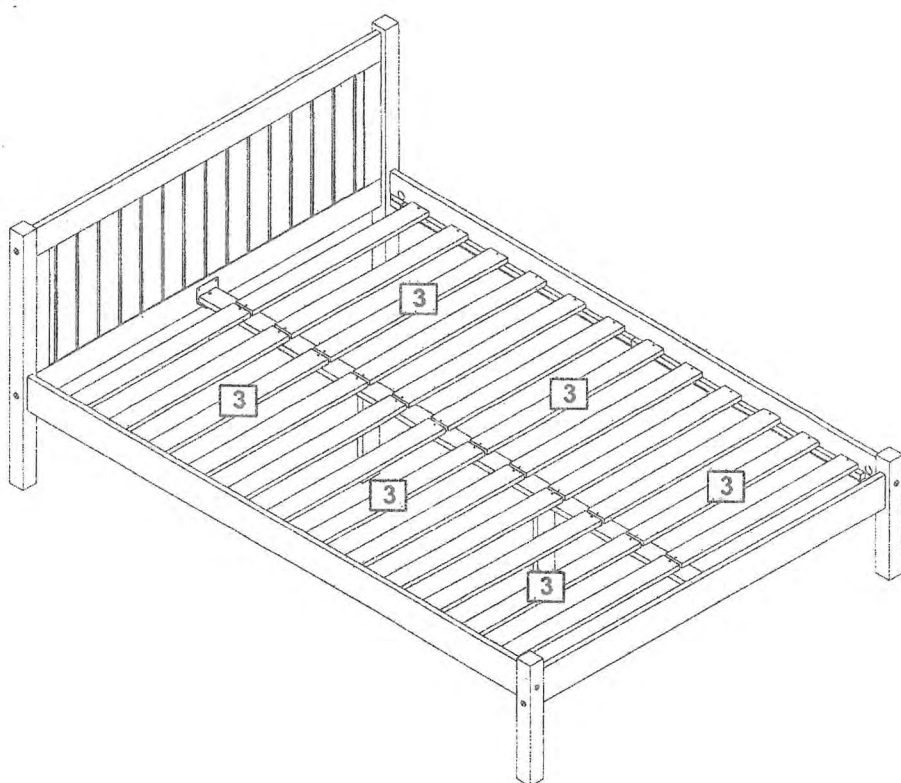
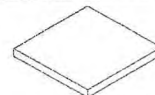
8

D x 52

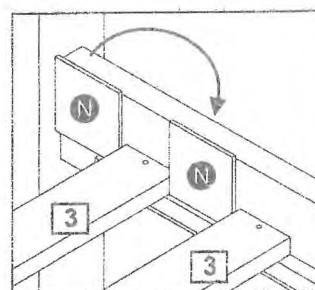


3,5x30

N x 2



a:



b:

