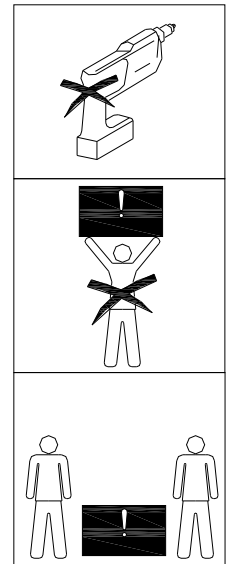
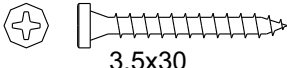
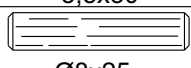
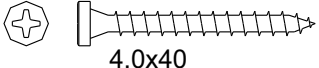
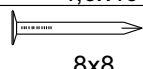
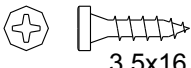
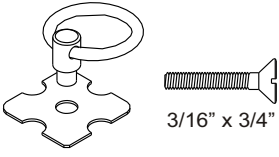
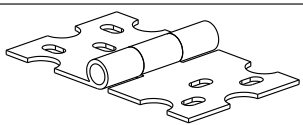

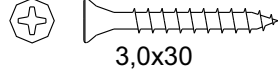
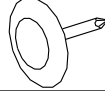

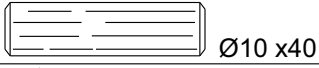
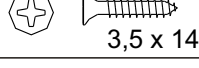

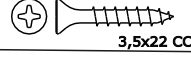

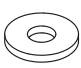


(2x)

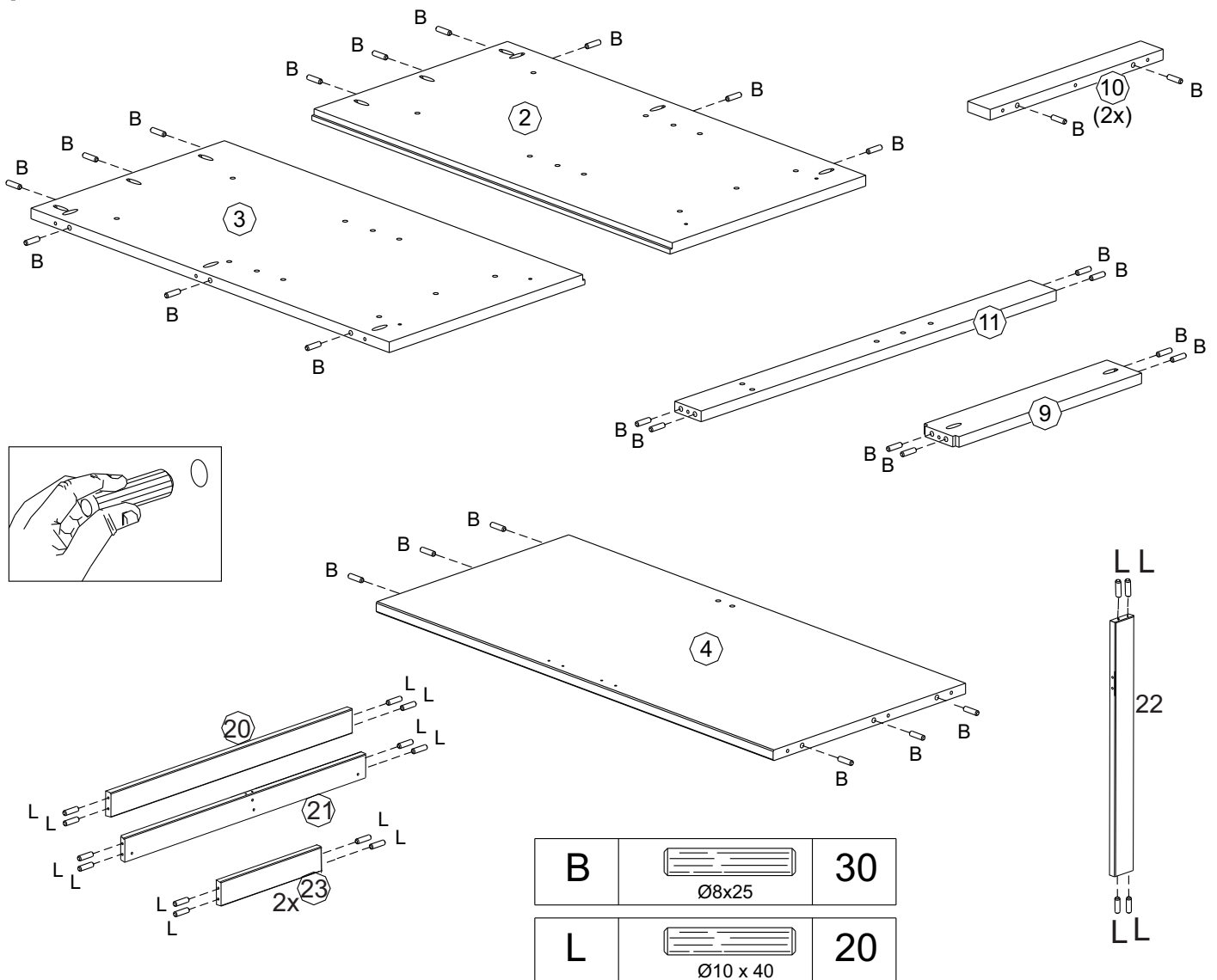


	<p>2,5m x 3m</p>		
--	------------------	--	--

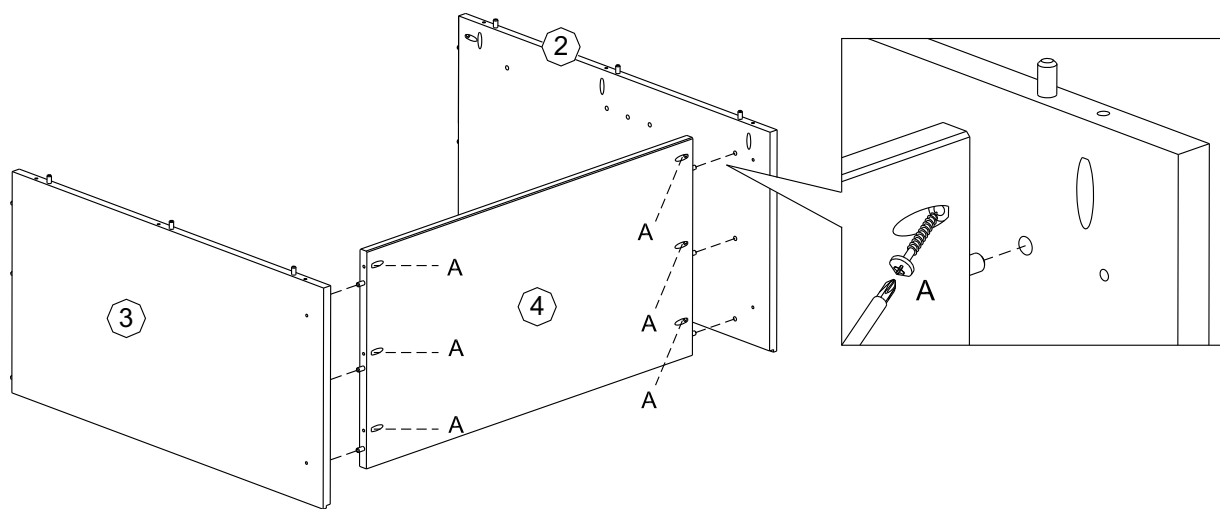
A	 3,5x30	30
B	 Ø8x25	34
C	 4,0x40	06
D	 8x8	30
E	 3,5x16	32
F	 3/16" x 3/4"	04
G		04


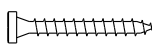
H		02
I	 3,0x30	16
J		04
K		06
L	 Ø10 x 40	20
M	 3,5 x 14	08
N		04
O	 3,5x22 CC	01
P		01
Q		02

01

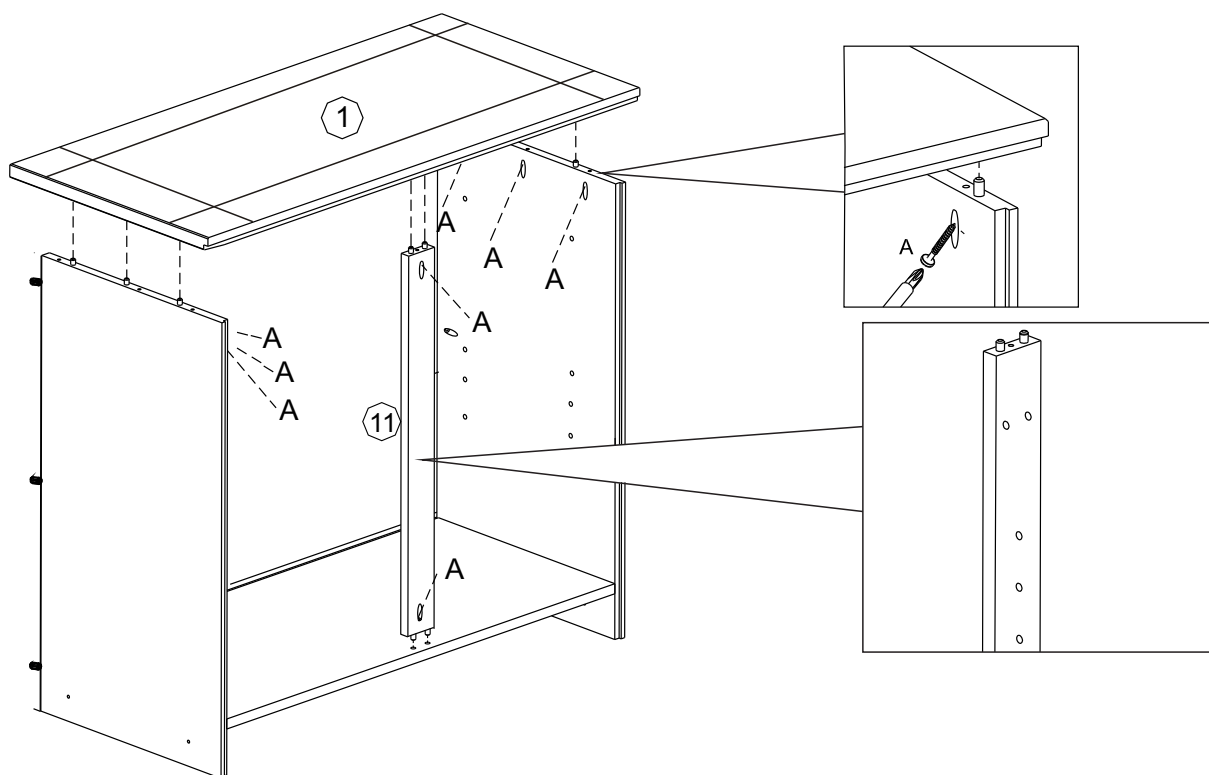



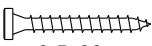
02



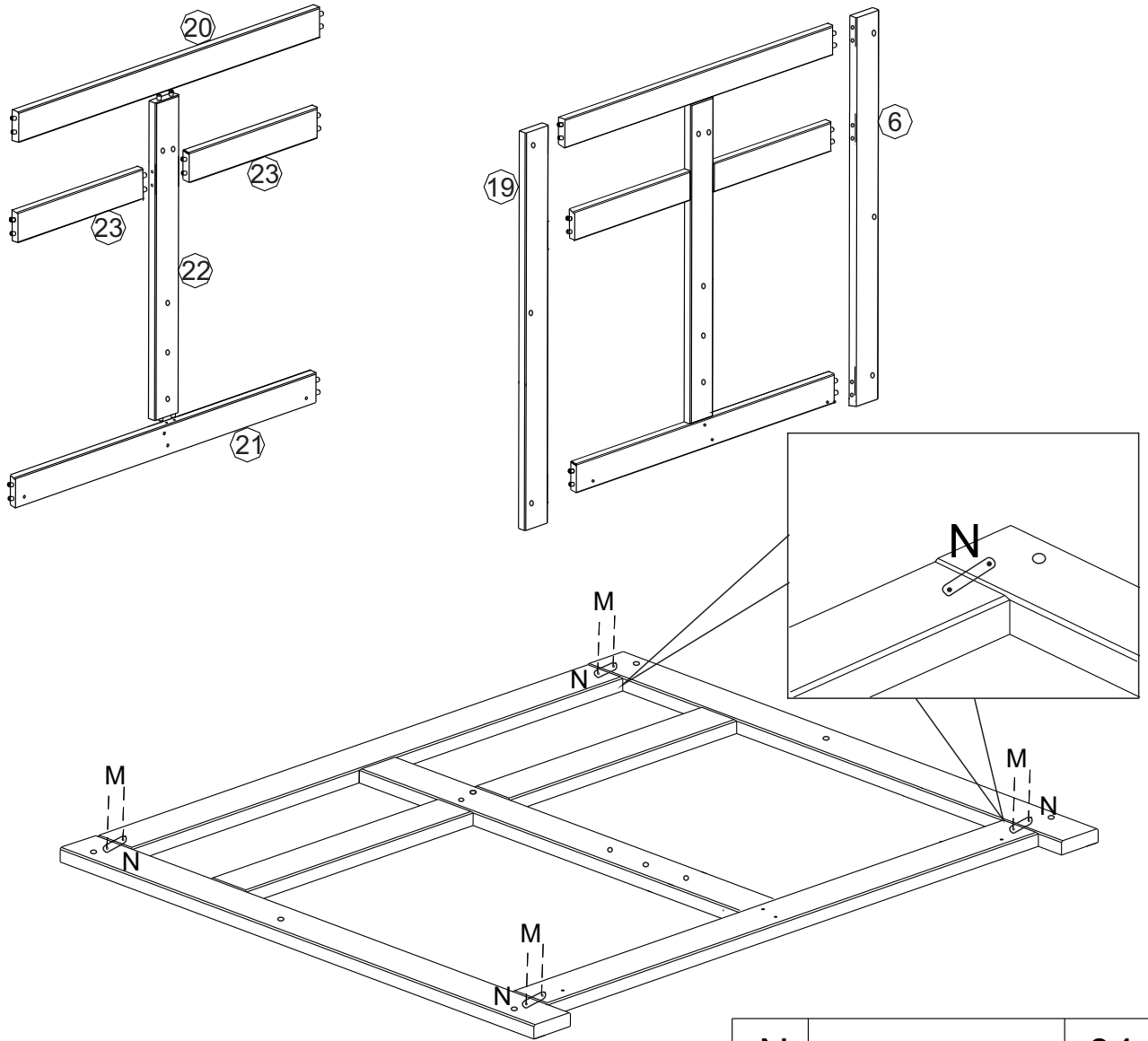
A		 3,5x30	06
---	---	---	----


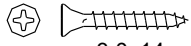
03



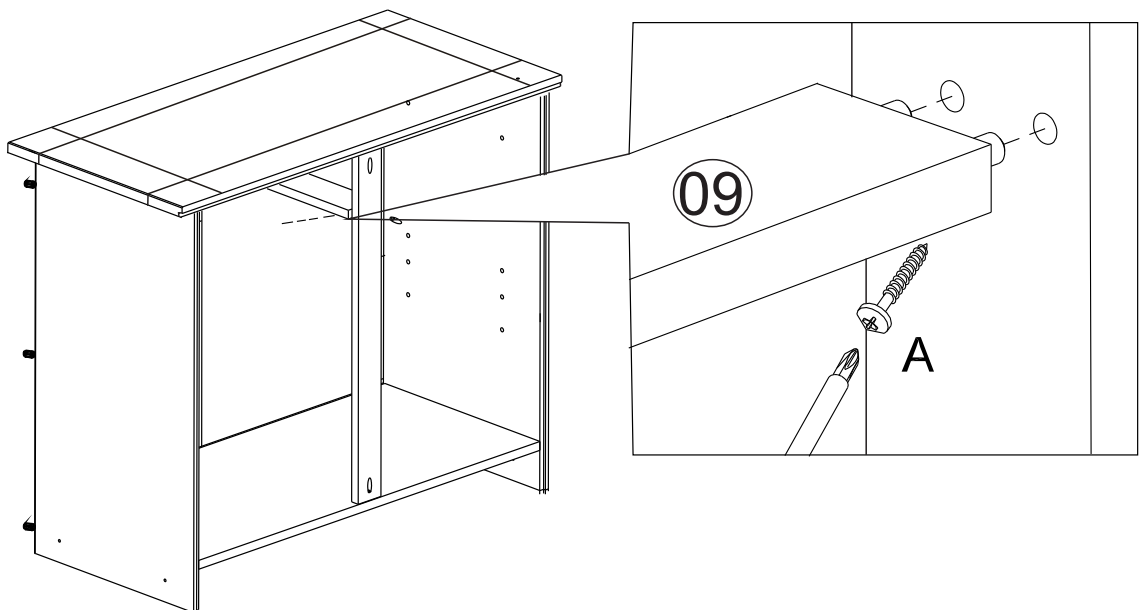
A		 3,5x30	08
---	---	---	----

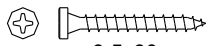
04



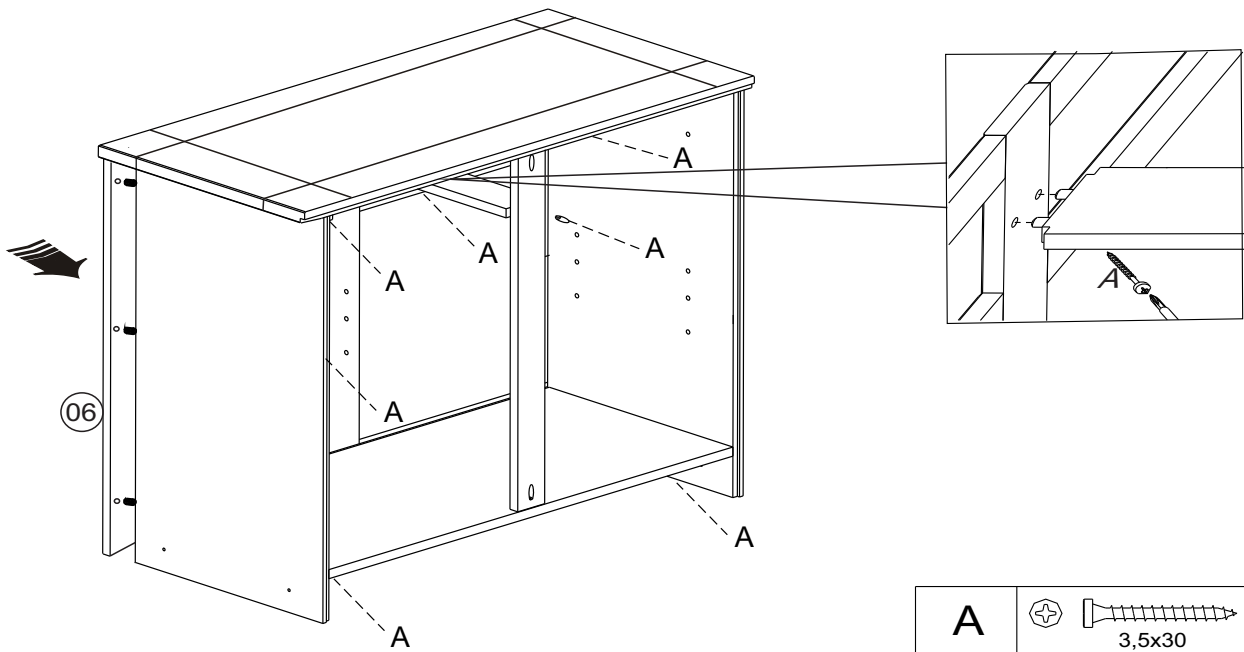
N		04
M	 3,0x14	08


05



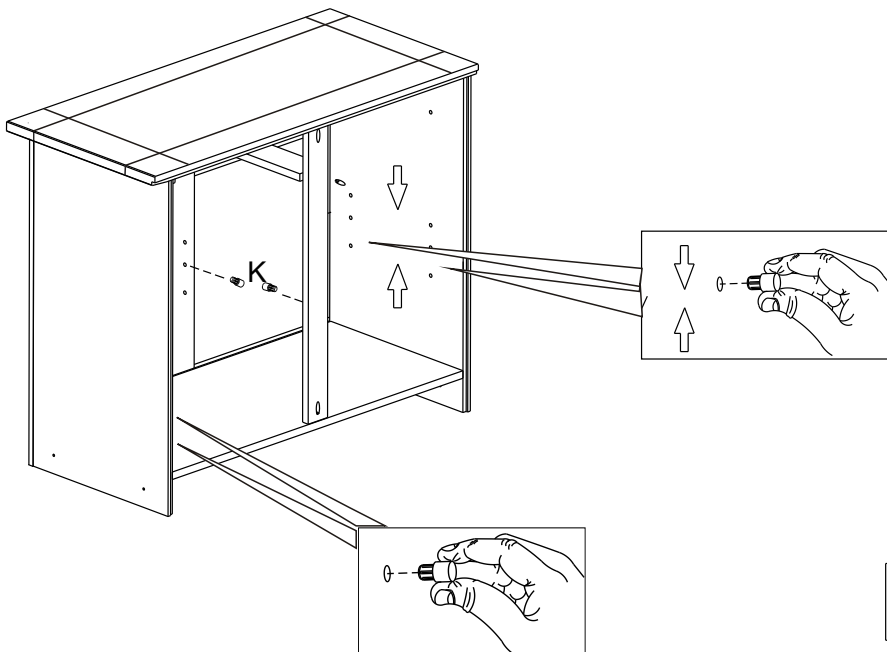
A	 3,5x30	01
---	---	----


06



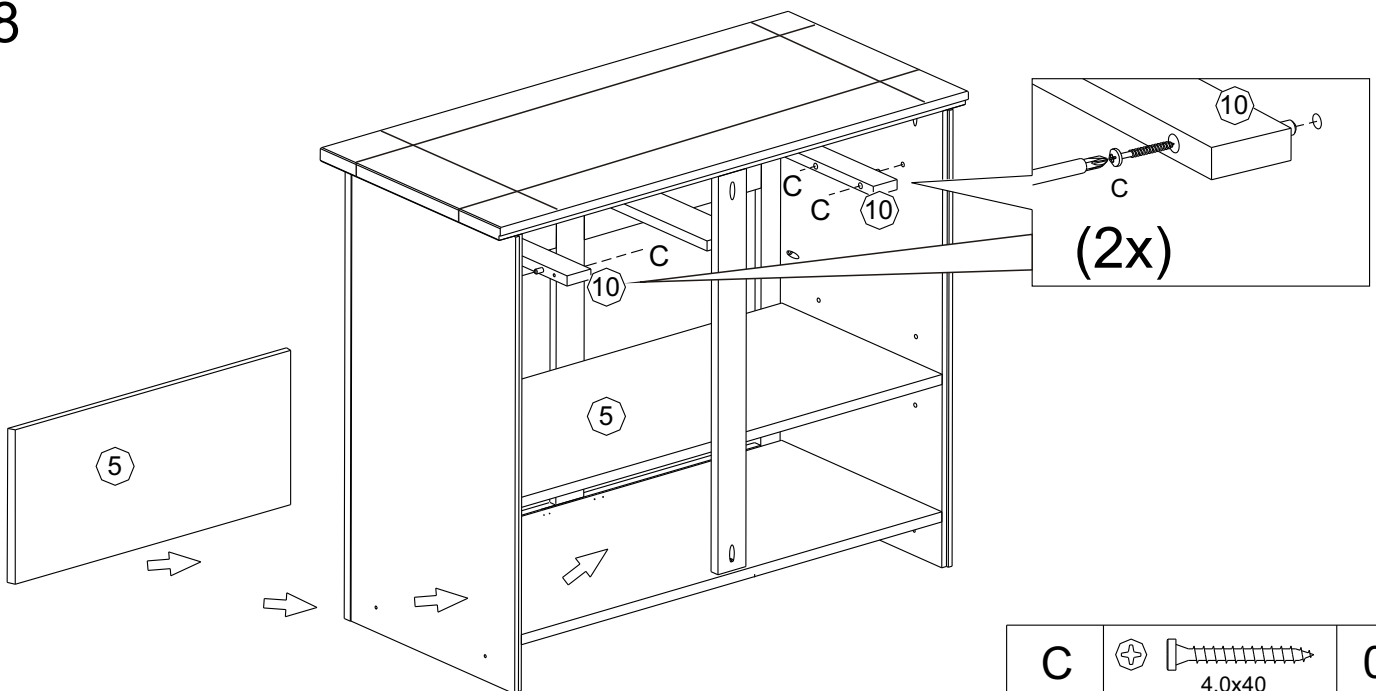
A	 3,5x30	07
---	--	----


07



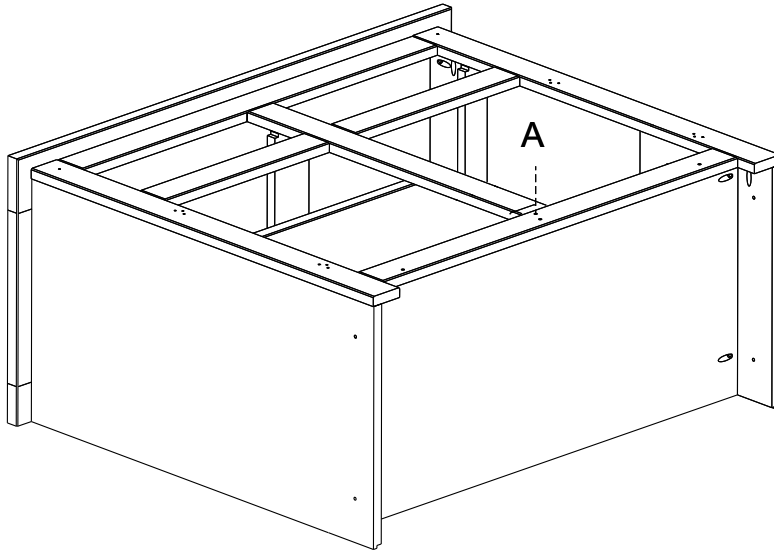
K		06
---	---	----


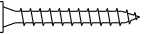
08



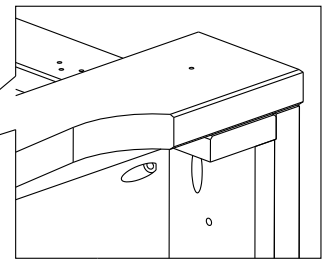
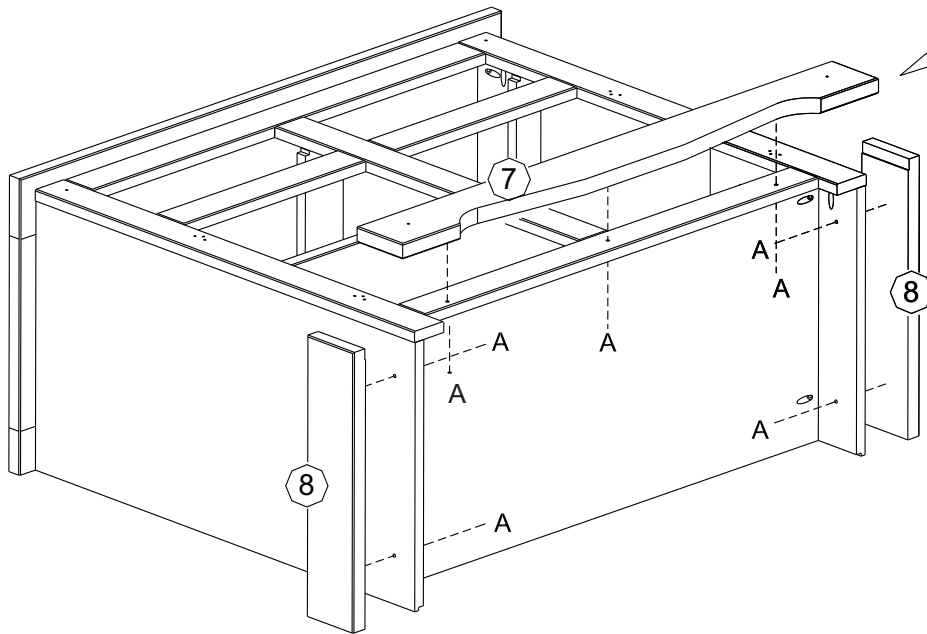
C	 4,0x40	06
---	--	----


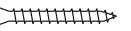
09



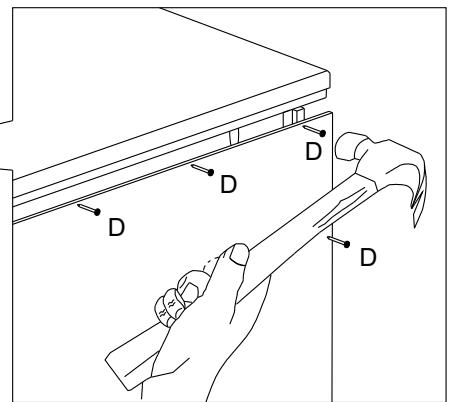
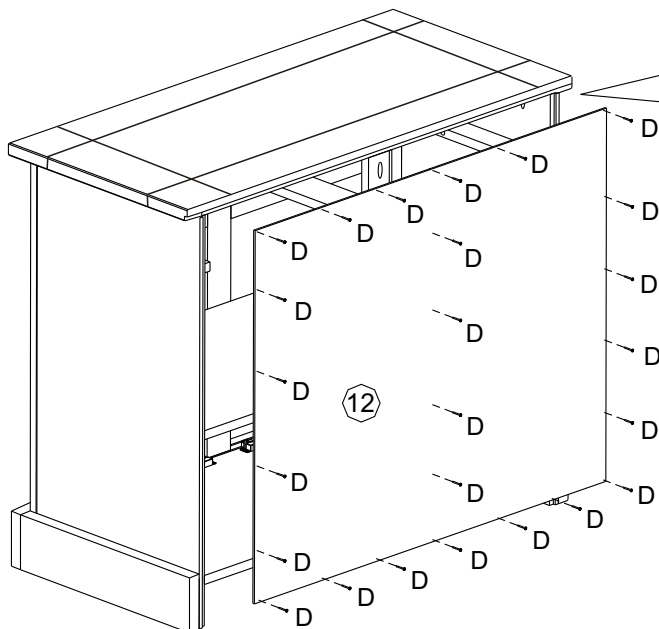
A		 3,5x30	01
---	---	--	----


10



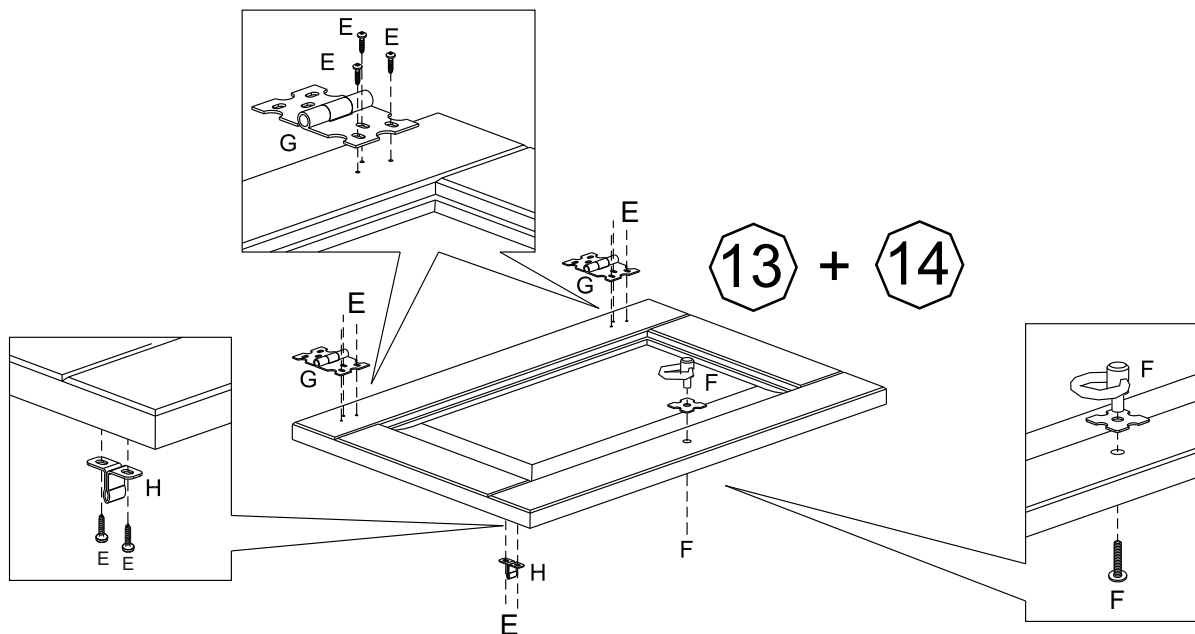
A		 3,5x30	07
---	---	--	----

11






D		8x8	30
---	---	-----	----

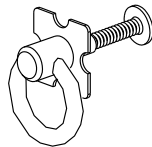
12



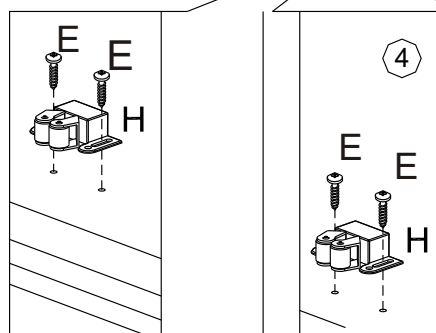
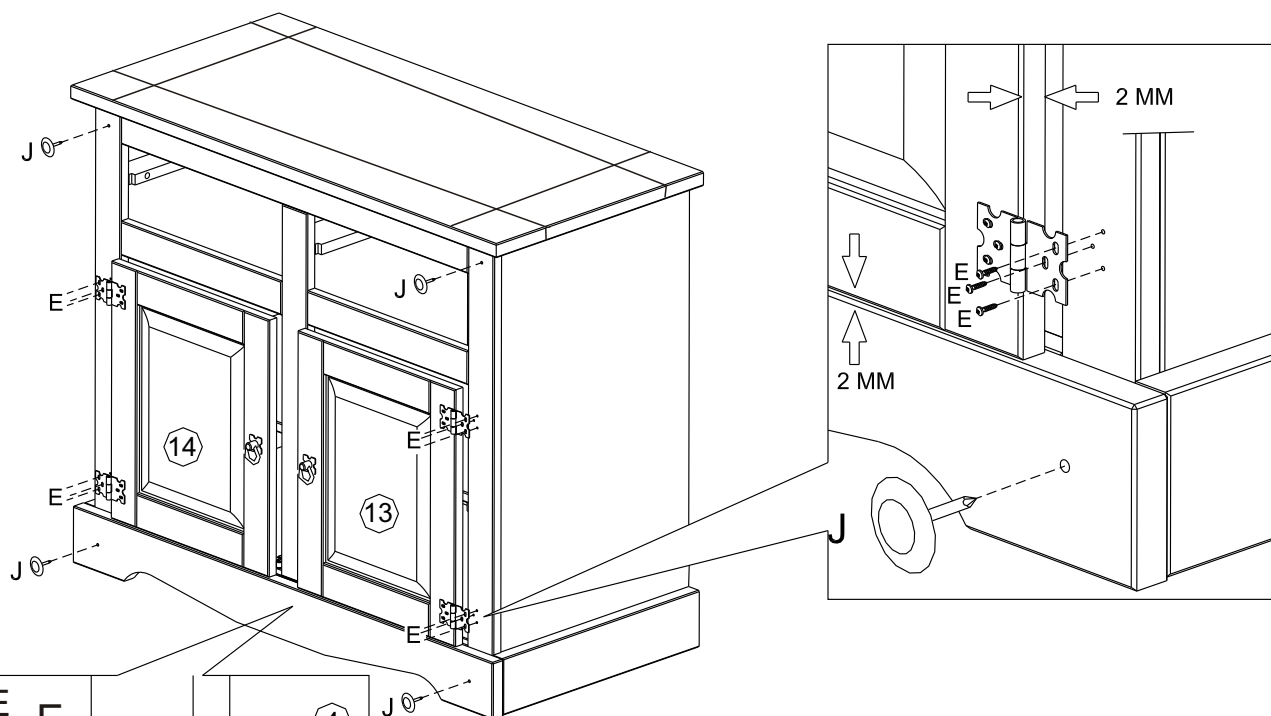
13 + 14


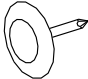

E	 3,5x16	16
G		04

H		02
---	---	----

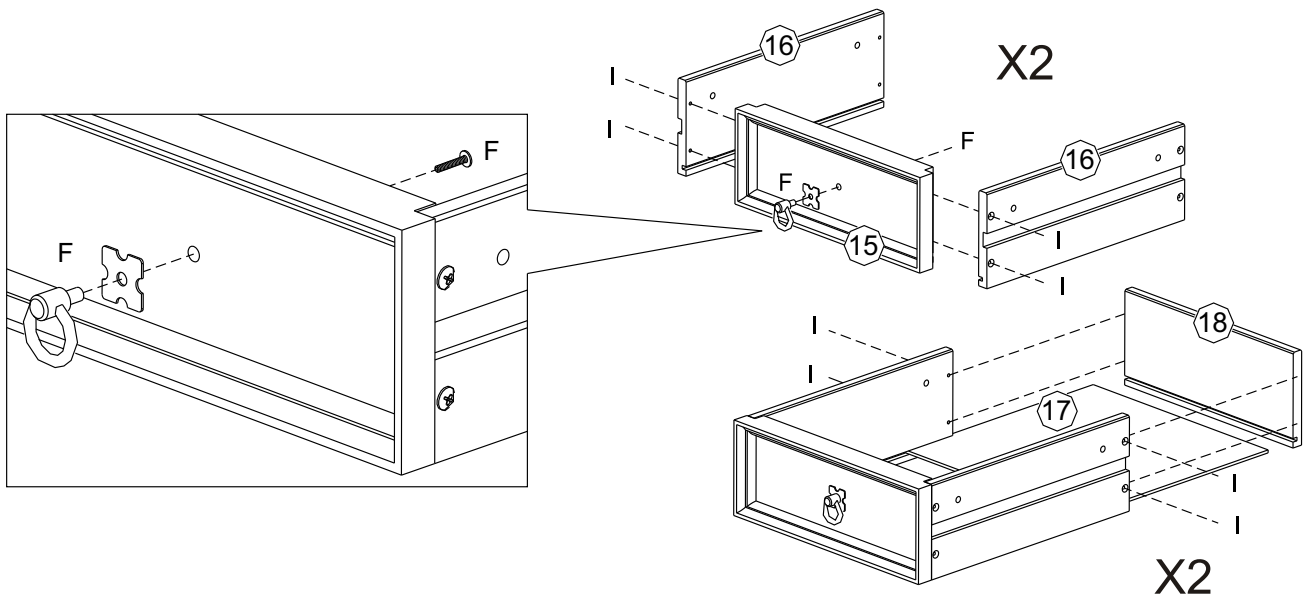
F		02
---	---	----

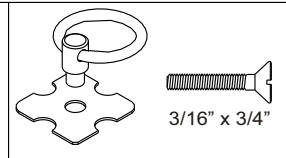
13

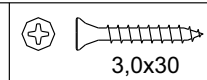


E	 3,5x16	16
J		04
H		02

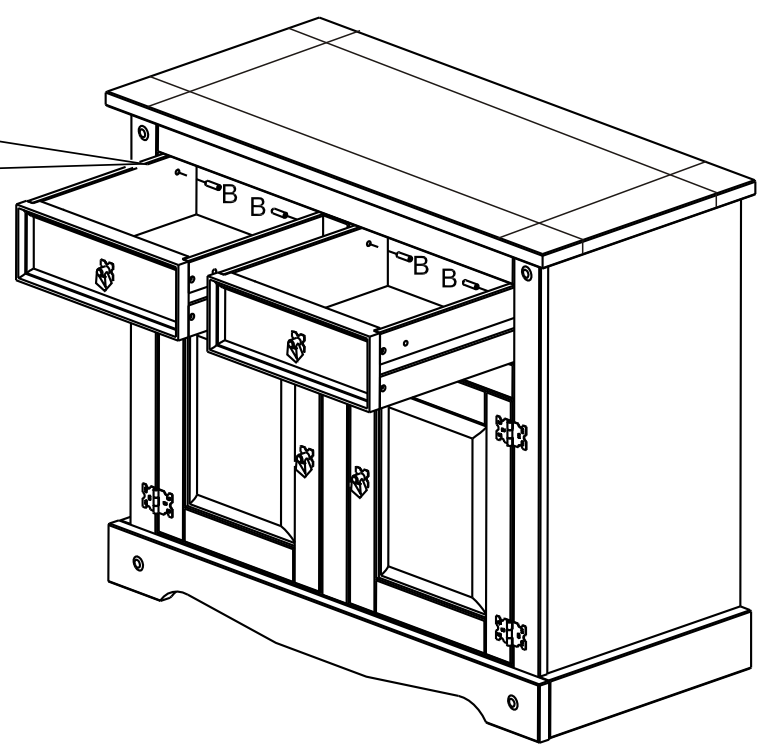
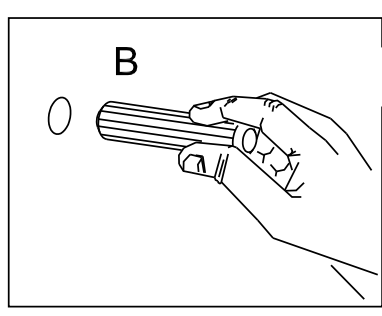
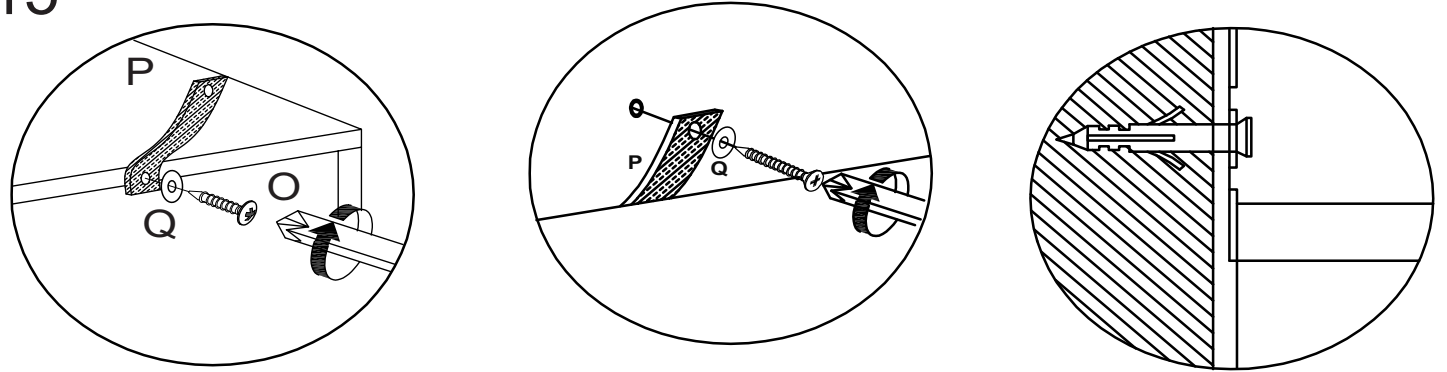
14

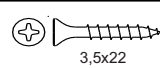





F		02
	3/16" x 3/4"	

I		16
	3,0x30	

15



O		01
	3,5x22	
P		01
Q		02
B		04
	Ø8x25	